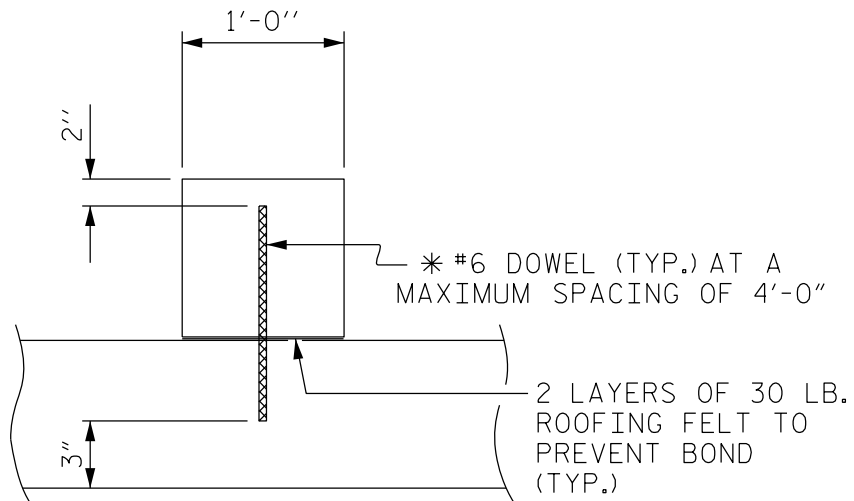


ELEVATION

\* DIMENSION TO BE DETERMINED BY HYDRAULICS UNIT.



SECTION THROUGH SILL

\* DOWELS MAY BE PUSHED INTO GREEN CONCRETE AFTER SLAB HAS BEEN FLOAT FINISHED.

CULVERT SILL DETAILS

**FIGURE 9 - 12**