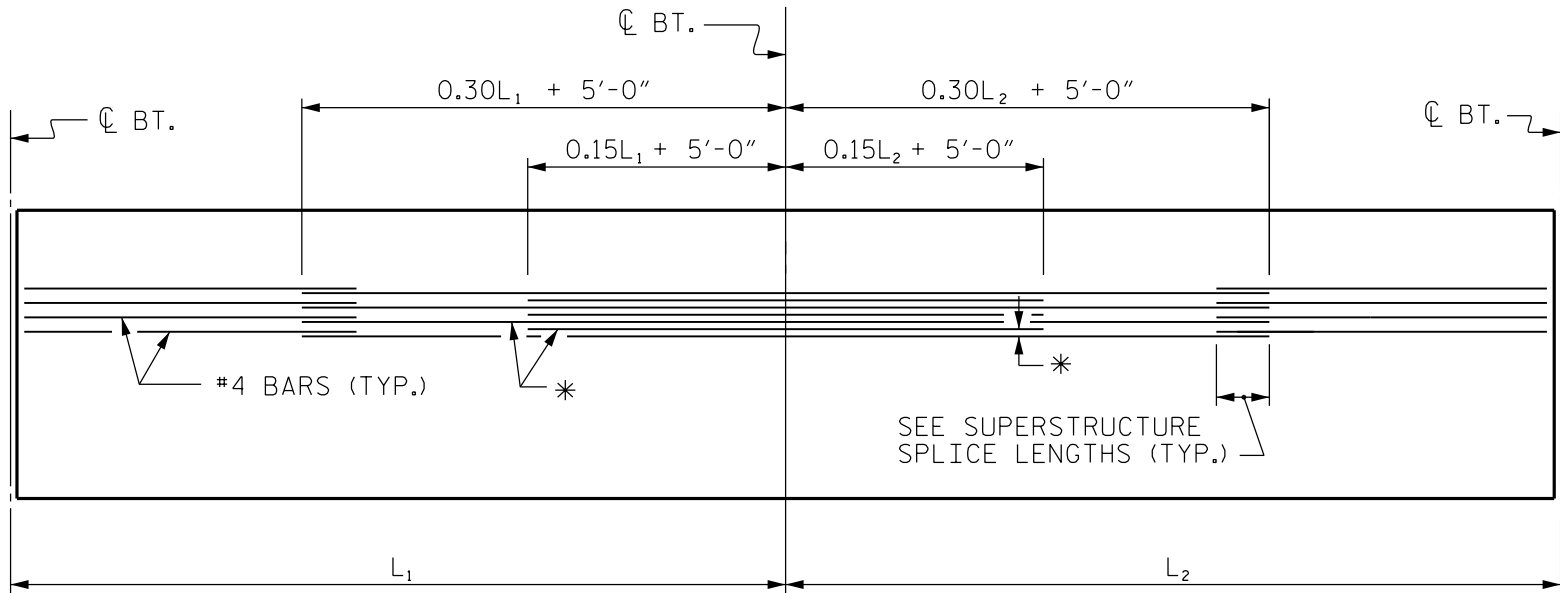


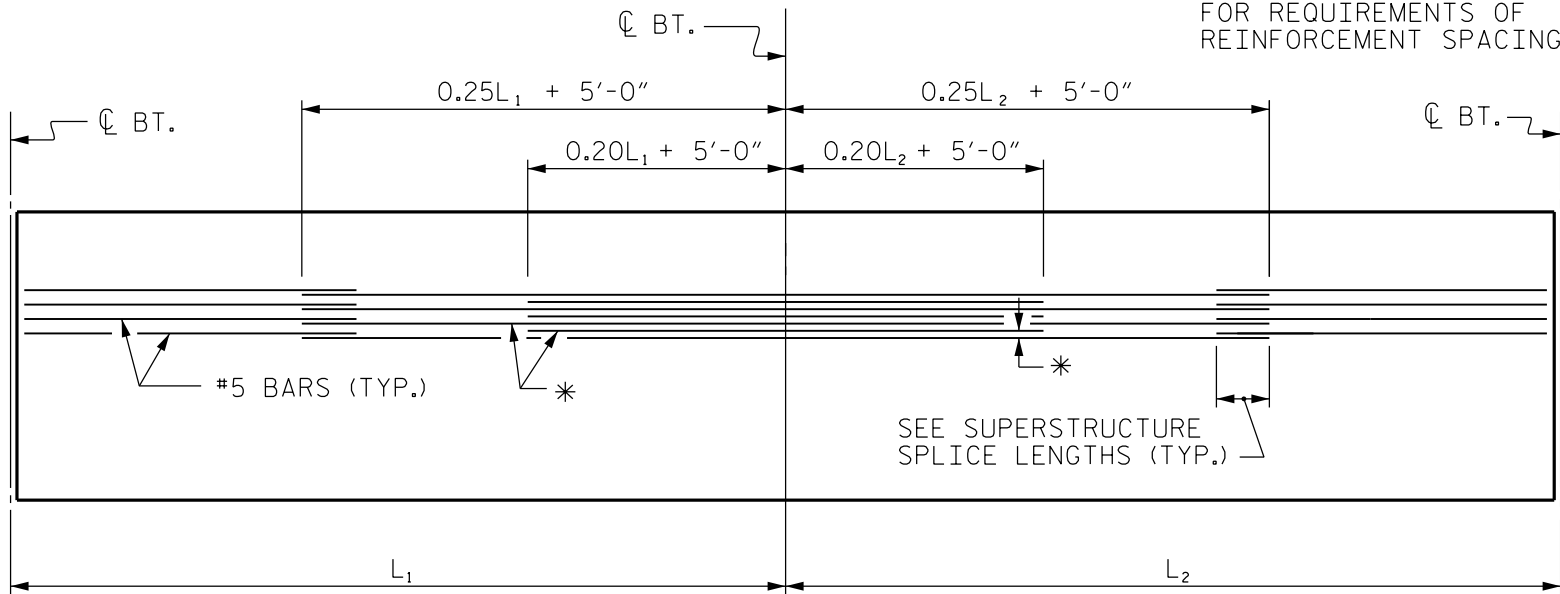
FIGURE 6 - 140



TOP OF SLAB REINFORCEMENT LAYOUT

LINK SLABS WITH METAL STAY-IN-PLACE FORMS
OR PRECAST CONCRETE DECK PANELS

* - SEE SECTION 6.2.2.1 "LINK SLABS"
FOR REQUIREMENTS OF
REINFORCEMENT SPACING AND SIZE.



BOTTOM OF SLAB REINFORCEMENT LAYOUT

LINK SLABS WITH METAL STAY-IN-PLACE FORMS