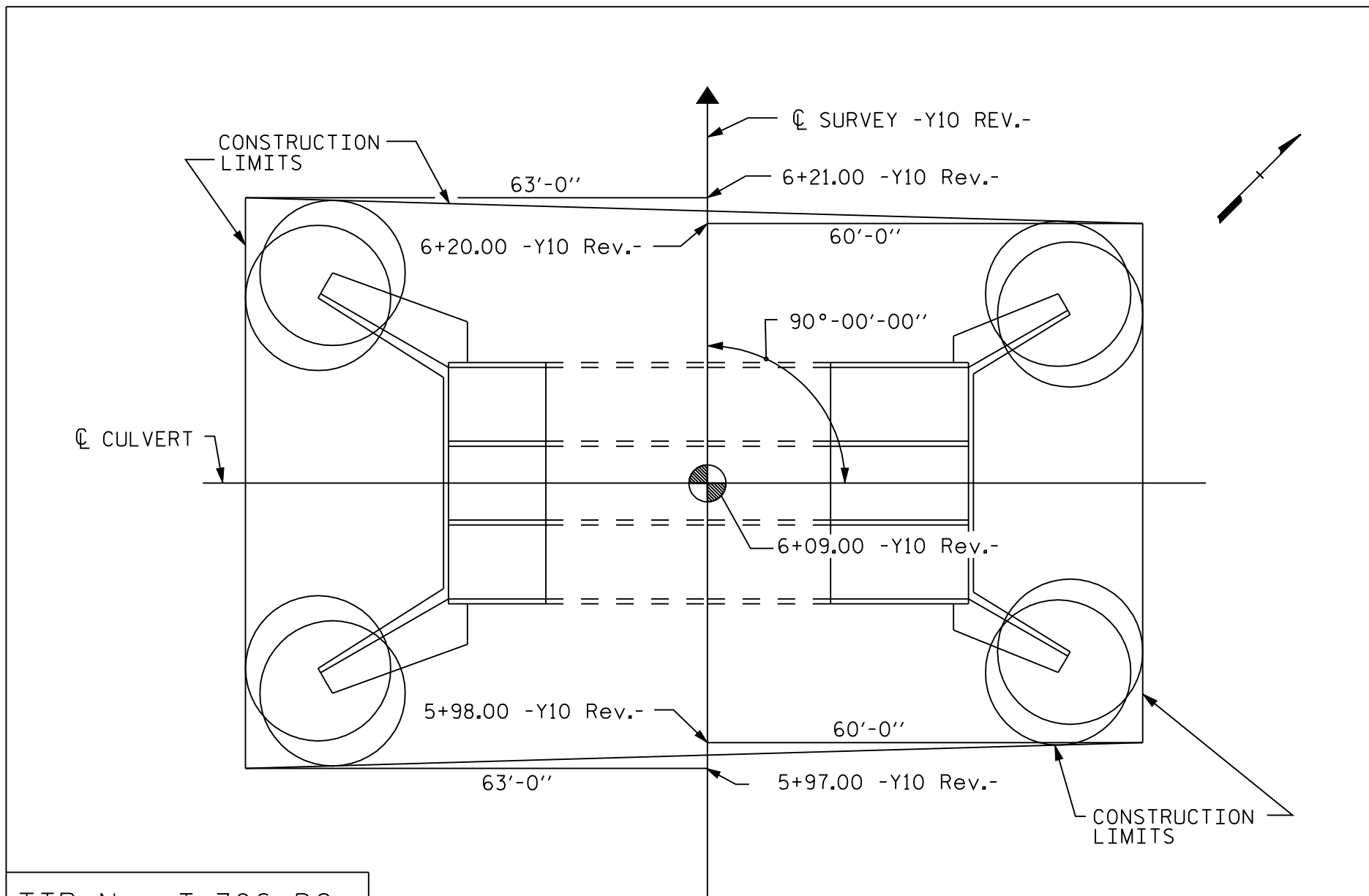


FIGURE 4 - 4



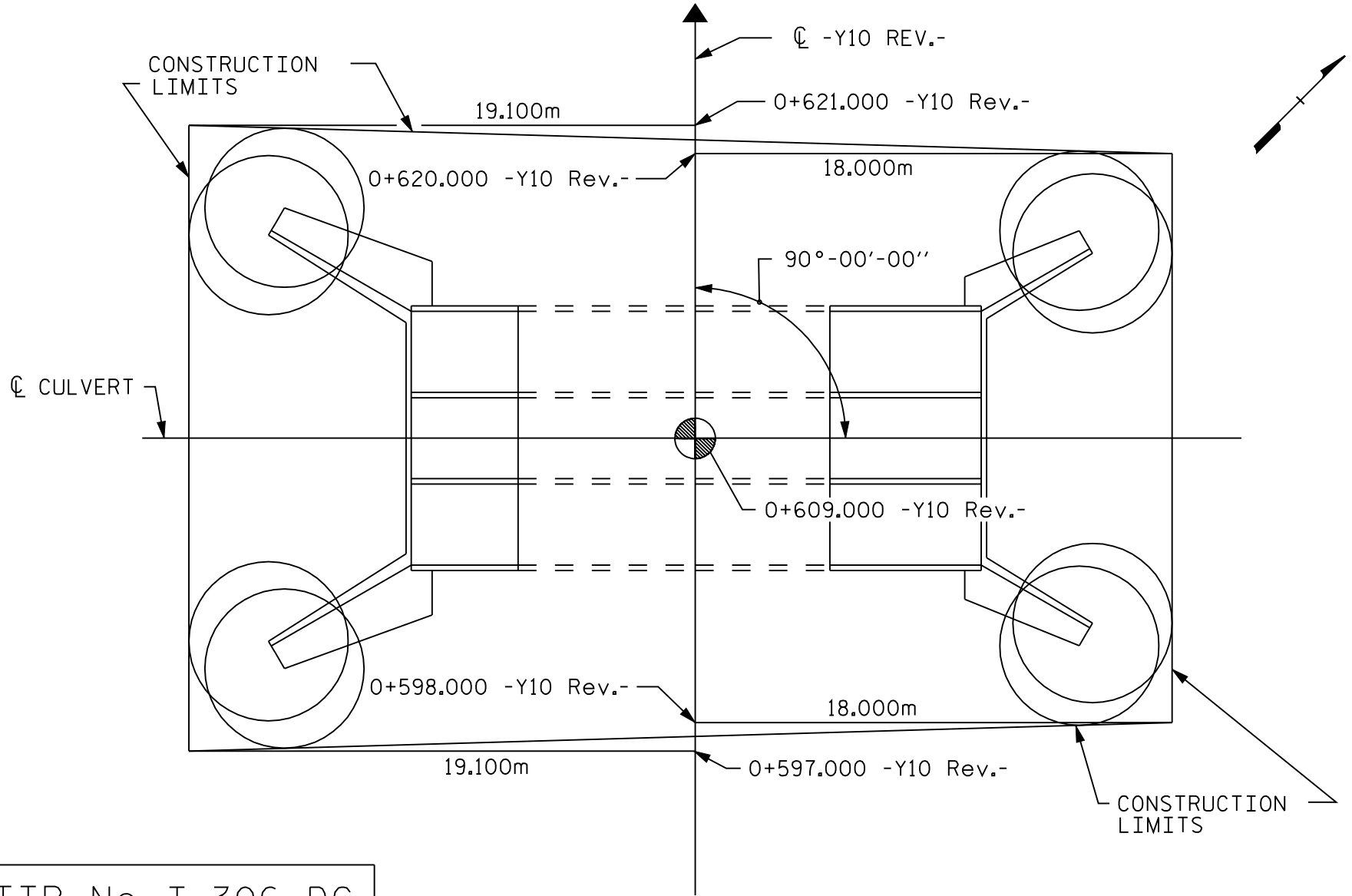
TIP No. I-306 DC

CONSTRUCTION LIMITS SKETCH

3 - 10 FT. x 10 FT.
 REINFORCED CONCRETE BOX CULVERT EXTENSIONS

PROJECT No. 8.1414801 COUNTY DURHAM STATION 6+09.00 -Y10 REV.-
 DATE _____ SKETCH BY _____ CHECKED BY _____

FIGURE 4 - 4 M



TIP No. I-306 DC

CONSTRUCTION LIMITS SKETCH

3 - 3.05M x 3.05M
REINFORCED CONCRETE BOX CULVERT EXTENSIONS

PROJECT No. 8.1414801 COUNTY DURHAM STATION 0+609.000 -Y10 REV.-
DATE _____ SKETCH BY _____ CHECKED BY _____