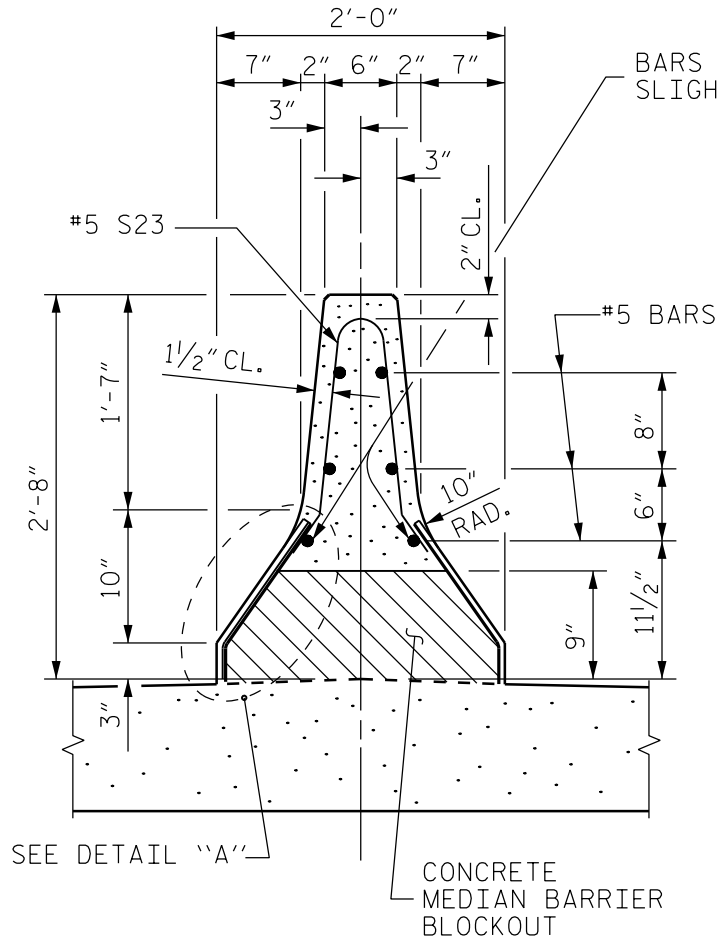
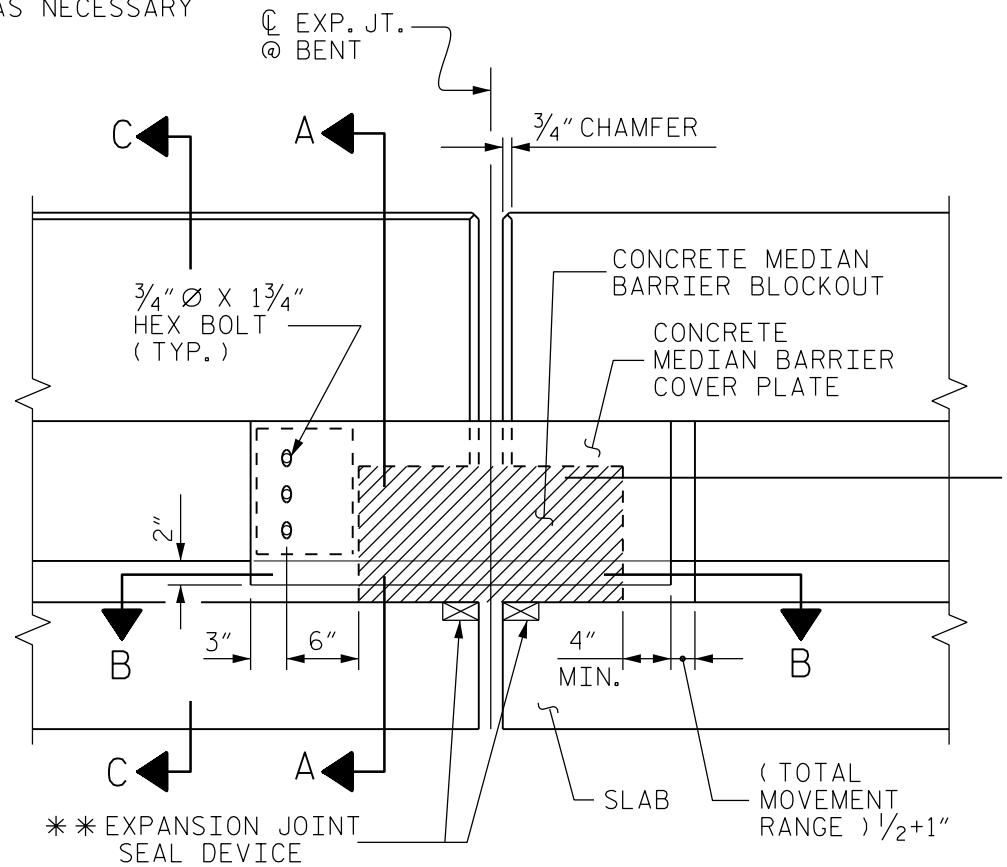


** MODIFY FOR STRIP SEAL EXPANSION JOINT OR MODULAR EXPANSION JOINT SEAL.

FIGURE 6 - 27



SECTION A-A



ELEVATION @
EXPANSION JOINT

(FOR SECTION B-B, SEE FIG. 6-29)
(FOR SECTION C-C, SEE FIG. 6-28)

CONCRETE MEDIAN BARRIER

FOR RIGID PAVEMENT