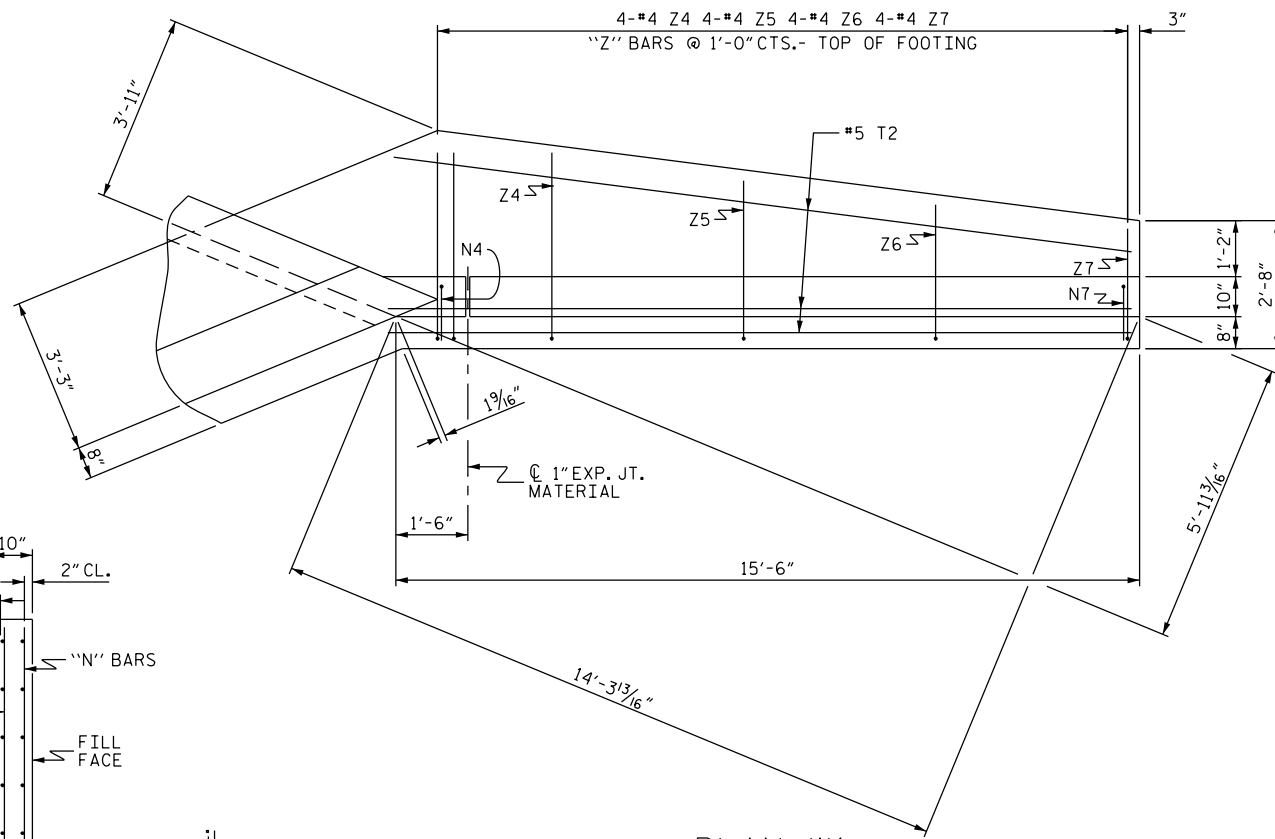
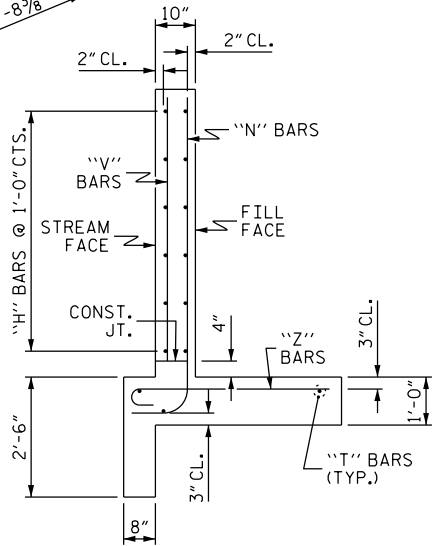


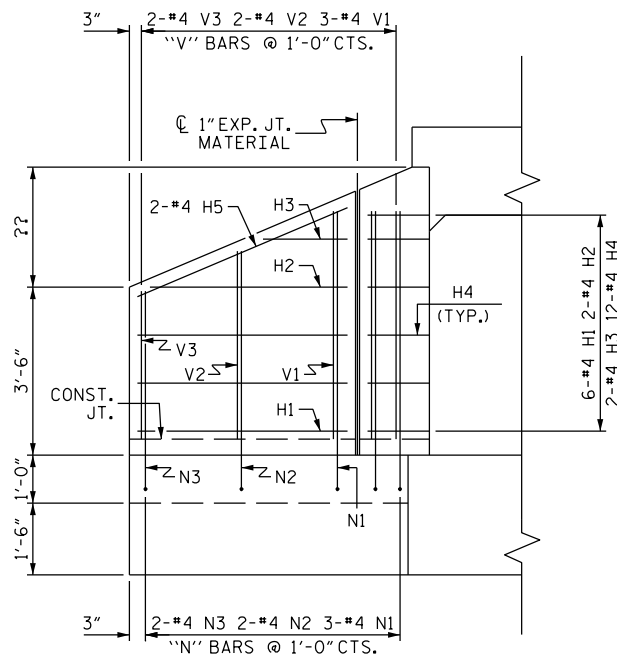
PLAN W2



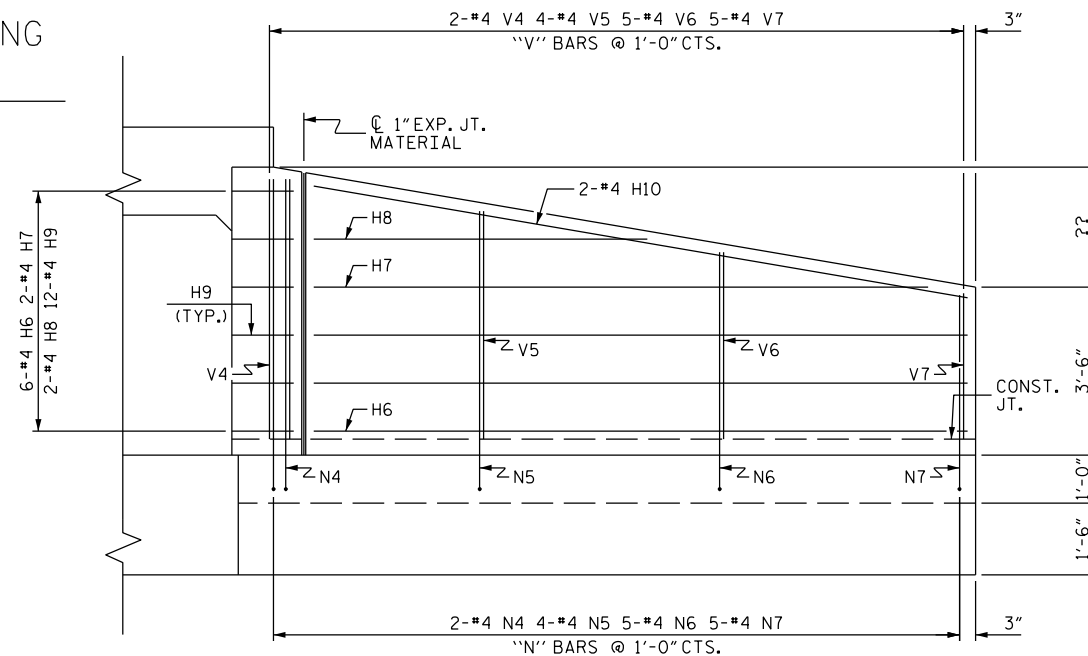
PLAN W1



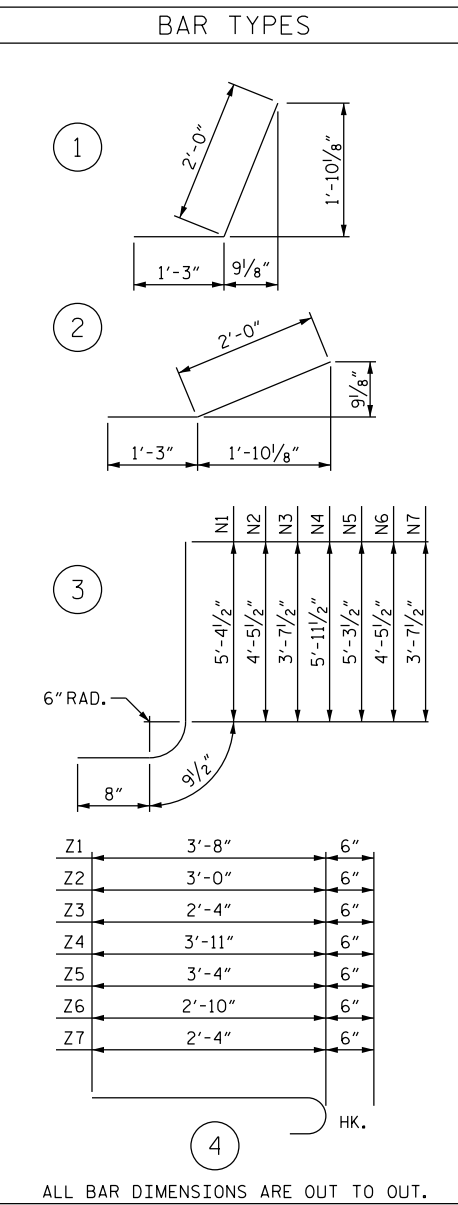
TYPICAL WING SECTION



ELEVATION W2



ELEVATION W1



BILL OF MATERIAL					
BAR NO.	SIZE	TYPE	LENGTH	WEIGHT	
H1	12	#4	STR	4'-4"	35
H2	4	#4	STR	4'-1"	11
H3	4	#4	STR	1'-9"	5
H4	24	#4	1	3'-3"	52
H5	4	#4	STR	4'-9"	13
H6	12	#4	STR	13'-7"	109
H7	4	#4	STR	12'-9"	34
H8	4	#4	STR	6'-11"	18
H9	24	#4	2	3'-3"	52
H10	4	#4	STR	13'-9"	37
N1	6	#4	3	6'-10"	27
N2	4	#4	3	5'-11"	16
N3	4	#4	3	5'-1"	14
N4	4	#4	3	7'-5"	20
N5	8	#4	3	6'-9"	36
N6	10	#4	3	5'-11"	40
N7	10	#4	3	5'-1"	34
T1	6	#5	STR	6'-3"	39
T2	6	#5	STR	15'-6"	97
V1	6	#4	STR	4'-9"	19
V2	4	#4	STR	3'-11"	10
V3	4	#4	STR	3'-1"	8
V4	4	#4	STR	5'-5"	14
V5	8	#4	STR	4'-9"	25
V6	10	#4	STR	3'-10"	26
V7	10	#4	STR	3'-0"	20
Z1	6	#4	4	4'-2"	17
Z2	4	#4	4	3'-6"	9
Z3	4	#4	4	2'-10"	8
Z4	8	#4	4	4'-5"	24
Z5	8	#4	4	3'-10"	20
Z6	8	#4	4	3'-4"	18
Z7	8	#4	4	2'-10"	15
REINFORCING STEEL				922 LBS	
FOR 4 WINGS					
CLASS A CONCRETE					
4 WINGS				14.8 CY	
2 HEADWALLS				CY	
2 END CURTAIN WALLS				CY	
TOTAL				CY	

PROJECT NO. \_\_\_\_\_

\_\_\_\_\_ COUNTY

STATION: \_\_\_\_\_

SHEET \_ OF \_

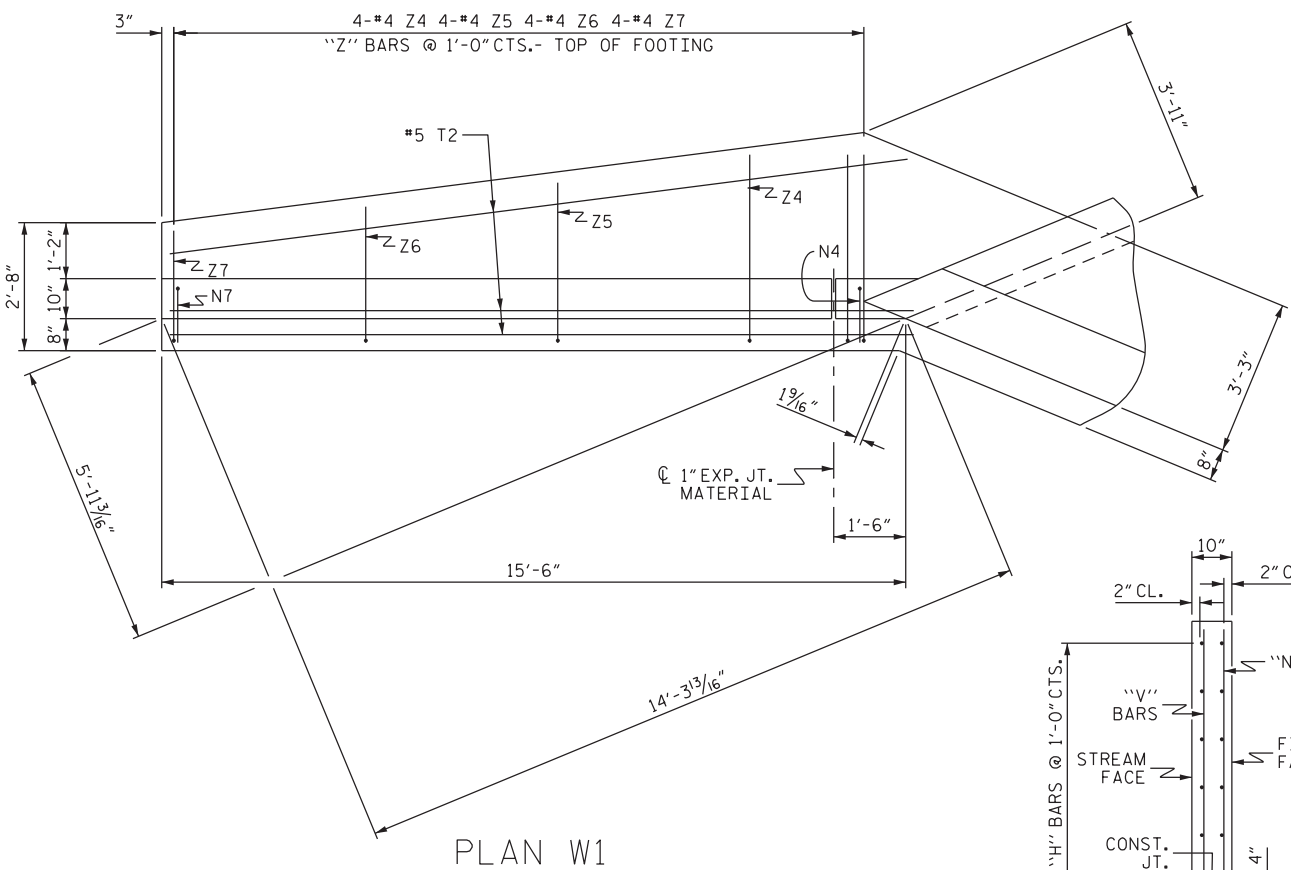
STATE OF NORTH CAROLINA  
DEPARTMENT OF TRANSPORTATION  
RALEIGH  
STANDARD WINGS  
FOR  
CONCRETE BOX CULVERT  
H = 5'-0" SLOPE = 2:1  
45° SKEW

ASSEMBLED BY : -	DATE : -
CHECKED BY : -	DATE : -
DRAWN BY : CCJ 01/00	REV. 6/19 MAA/THC
CHECKED BY : RWW 03/00	

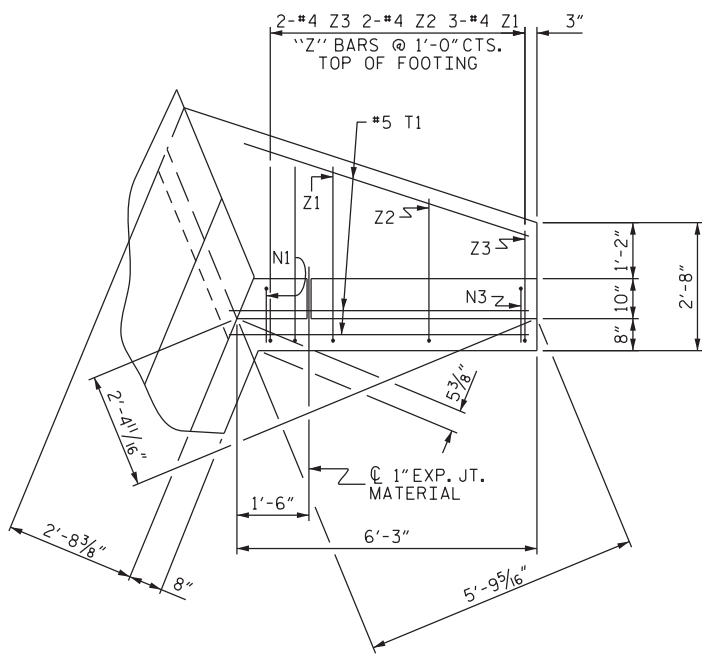
DOCUMENT NOT CONSIDERED FINAL UNLESS ALL SIGNATURES COMPLETED

REVISIONS						SHEET NO.
NO.	BY:	DATE:	NO.	BY:	DATE:	TOTAL SHEETS
1			3			
2			4			

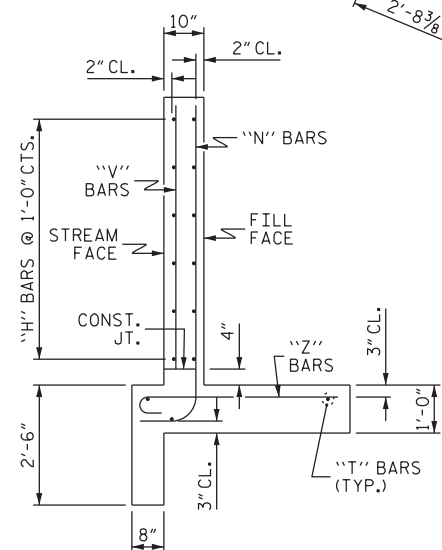
STD. NO. CW4505



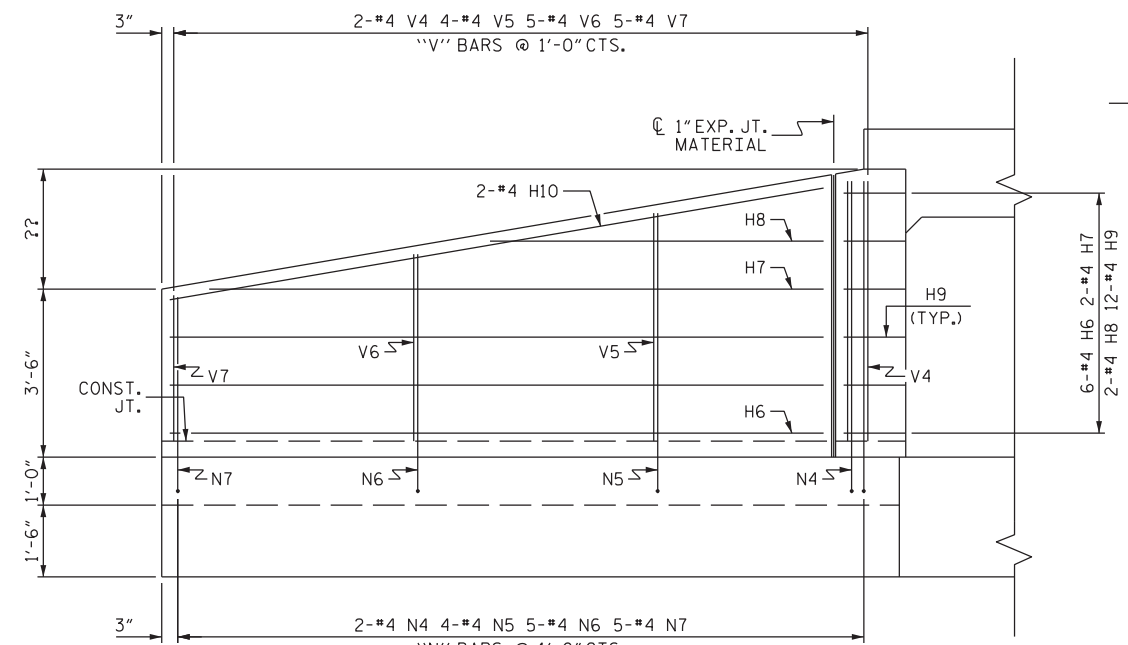
PLAN W1



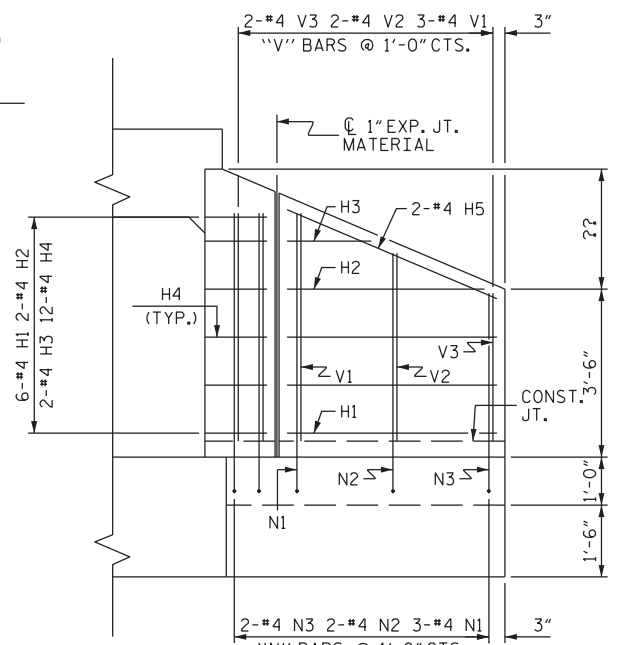
PLAN W2



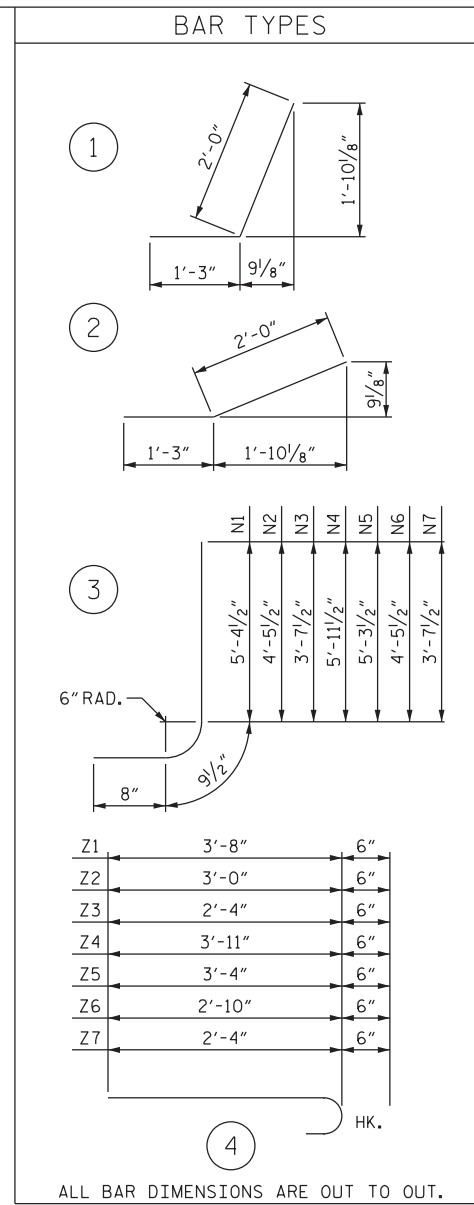
TYPICAL WING SECTION



ELEVATION W1



ELEVATION W2



ALL BAR DIMENSIONS ARE OUT TO OUT.

BILL OF MATERIAL					
BAR	NO.	SIZE	TYPE	LENGTH	WEIGHT
H1	12	#4	STR	4'-4"	35
H2	4	#4	STR	4'-1"	11
H3	4	#4	STR	1'-9"	5
H4	24	#4	1	3'-3"	52
H5	4	#4	STR	4'-9"	13
H6	12	#4	STR	13'-7"	109
H7	4	#4	STR	12'-9"	34
H8	4	#4	STR	6'-11"	18
H9	24	#4	2	3'-3"	52
H10	4	#4	STR	13'-9"	37
N1	6	#4	3	6'-10"	27
N2	4	#4	3	5'-11"	16
N3	4	#4	3	5'-1"	14
N4	4	#4	3	7'-5"	20
N5	8	#4	3	6'-9"	36
N6	10	#4	3	5'-11"	40
N7	10	#4	3	5'-1"	34
T1	6	#5	STR	6'-3"	39
T2	6	#5	STR	15'-6"	97
V1	6	#4	STR	4'-9"	19
V2	4	#4	STR	3'-11"	10
V3	4	#4	STR	3'-1"	8
V4	4	#4	STR	5'-5"	14
V5	8	#4	STR	4'-9"	25
V6	10	#4	STR	3'-10"	26
V7	10	#4	STR	3'-0"	20
Z1	6	#4	4	4'-2"	17
Z2	4	#4	4	3'-6"	9
Z3	4	#4	4	2'-10"	8
Z4	8	#4	4	4'-5"	24
Z5	8	#4	4	3'-10"	20
Z6	8	#4	4	3'-4"	18
Z7	8	#4	4	2'-10"	15
REINFORCING STEEL FOR 4 WINGS				922	LBS
CLASS A CONCRETE					
4 WINGS				14.8	CY
2 HEADWALLS					CY
2 END CURTAIN WALLS					CY
TOTAL					CY

PROJECT NO. \_\_\_\_\_

\_\_\_\_\_ COUNTY

STATION: \_\_\_\_\_

SHEET \_ OF \_

STATE OF NORTH CAROLINA  
DEPARTMENT OF TRANSPORTATION  
RALEIGH  
STANDARD WINGS  
FOR  
CONCRETE BOX CULVERT  
H = 5'-0" SLOPE = 2:1  
135° SKEW

ASSEMBLED BY : -	DATE : -
CHECKED BY : -	DATE : -
DRAWN BY : CCJ 01/00	REV. 6/19 MAA/THC
CHECKED BY : RWW 03/00	

REVISIONS						SHEET NO.
NO.	BY:	DATE:	NO.	BY:	DATE:	
1			3			TOTAL SHEETS
2			4			

DOCUMENT NOT CONSIDERED FINAL UNLESS ALL SIGNATURES COMPLETED