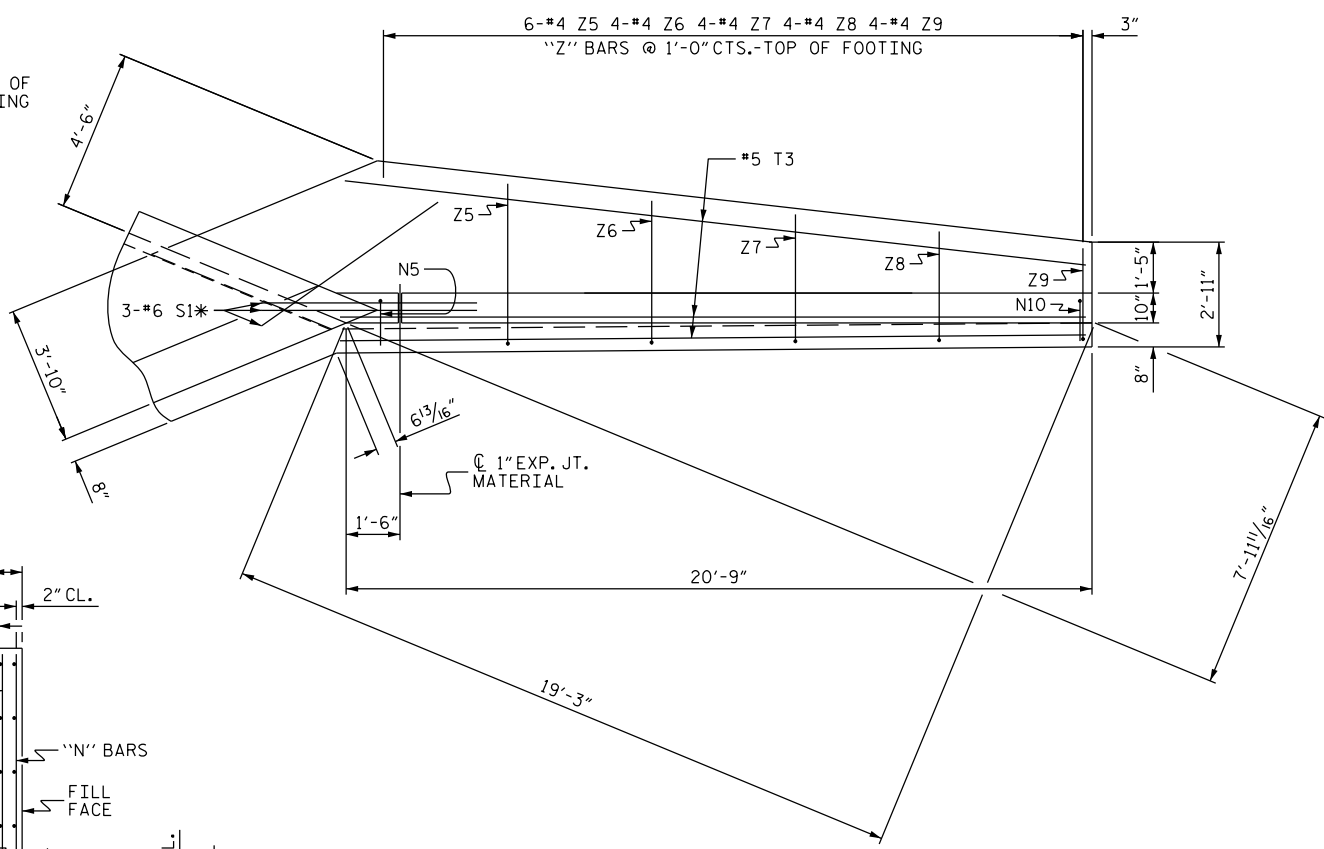
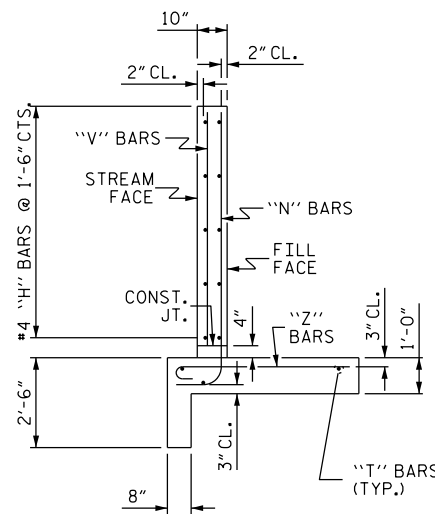


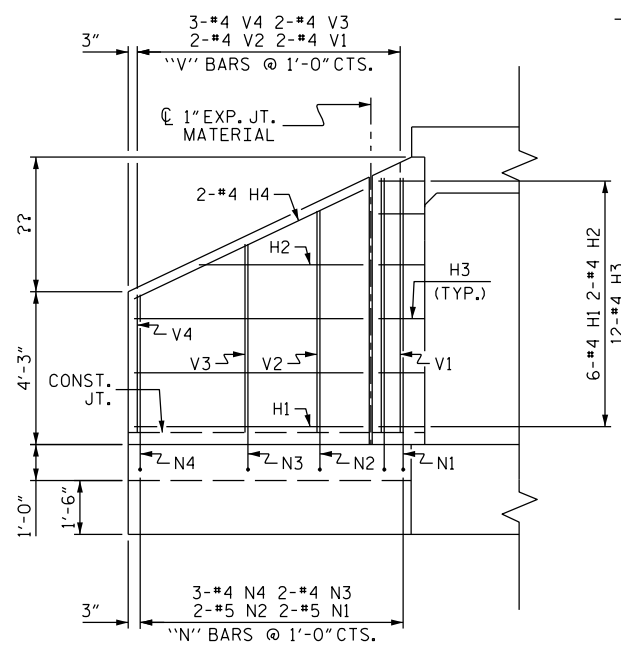
PLAN W2



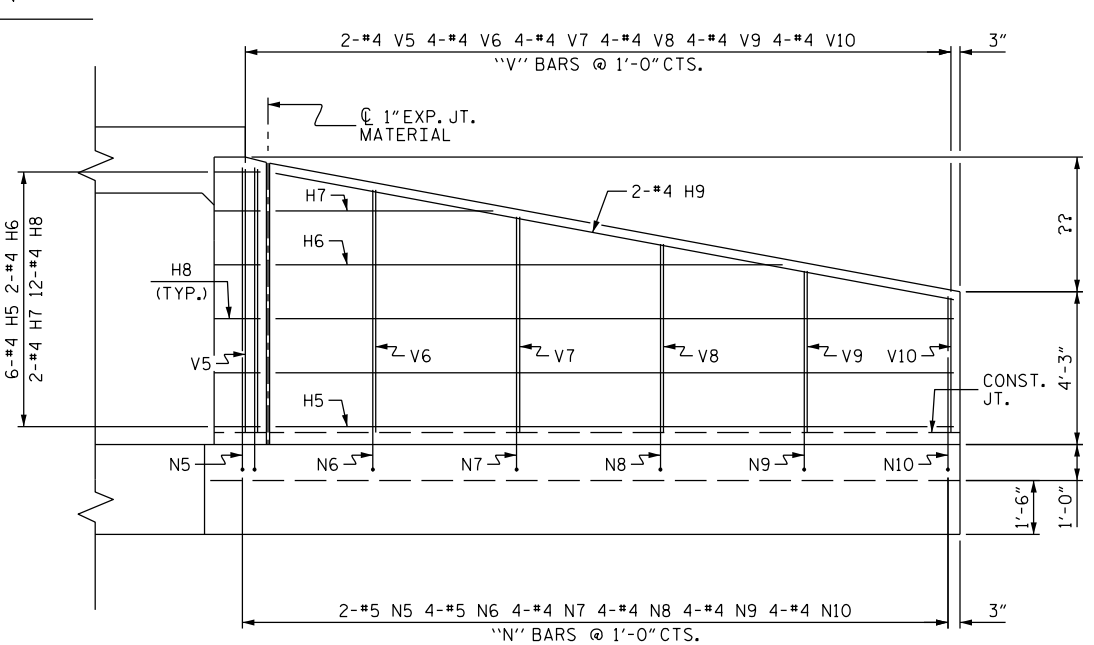
PLAN W1



TYPICAL WING SECTION



ELEVATION W2



ELEVATION W1

BAR TYPES		BILL OF MATERIAL					
NO.	DESCRIPTION	BAR NO.	SIZE	TYPE	LENGTH	WEIGHT	
1	(Diagram 1)	H1	#12	STR	6'-4"	51	
		H2	#4	STR	4'-6"	12	
		H3	#24	#4	1	3'-3"	52
		H4	#4	STR	7'-0"	19	
		H5	#12	#4	STR	18'-10"	151
		H6	#4	#4	STR	14'-1"	38
		H7	#4	#4	STR	6'-0"	16
		H8	#24	#4	2	3'-3"	52
		H9	#4	#4	STR	19'-2"	51
		N1	#4	#5	3	9'-1"	38
		N2	#4	#5	3	8'-3"	34
		N3	#4	#4	3	7'-4"	20
		N4	#6	#4	3	5'-7"	22
		N5	#4	#5	3	9'-5"	39
		N6	#8	#5	3	8'-9"	73
		N7	#8	#4	3	8'-0"	43
		N8	#8	#4	3	7'-3"	39
		N9	#8	#4	3	6'-6"	35
		N10	#8	#4	3	5'-10"	31
		S1	#12	#6	STR	6'-0"	108
		T1	#4	#5	STR	8'-3"	34
		T2	#2	#5	STR	9'-0"	19
		T3	#6	#5	STR	20'-9"	130
		V1	#4	#4	STR	7'-1"	19
		V2	#4	#4	STR	6'-2"	16
		V3	#4	#4	STR	5'-3"	14
		V4	#6	#4	STR	3'-9"	15
		V5	#4	#4	STR	7'-4"	20
		V6	#8	#4	STR	6'-9"	36
		V7	#8	#4	STR	6'-0"	32
		V8	#8	#4	STR	5'-3"	28
		V9	#8	#4	STR	4'-6"	24
		V10	#8	#4	STR	3'-9"	20
		Z1	#4	#4	4	5'-3"	14
		Z2	#4	#4	4	4'-8"	12
		Z3	#4	#4	4	4'-1"	11
		Z4	#6	#4	4	3'-1"	12
		Z5	#12	#4	4	5'-0"	40
		Z6	#8	#4	4	4'-6"	24
		Z7	#8	#4	4	4'-1"	22
		Z8	#8	#4	4	3'-7"	19
		Z9	#8	#4	4	3'-1"	16
REINFORCING STEEL FOR 4 WINGS					1501	LBS	
CLASS A CONCRETE							
4 WINGS					23.6	CY	
2 HEADWALLS						CY	
2 END CURTAIN WALLS						CY	
TOTAL						CY	

ALL BAR DIMENSIONS ARE OUT TO OUT.

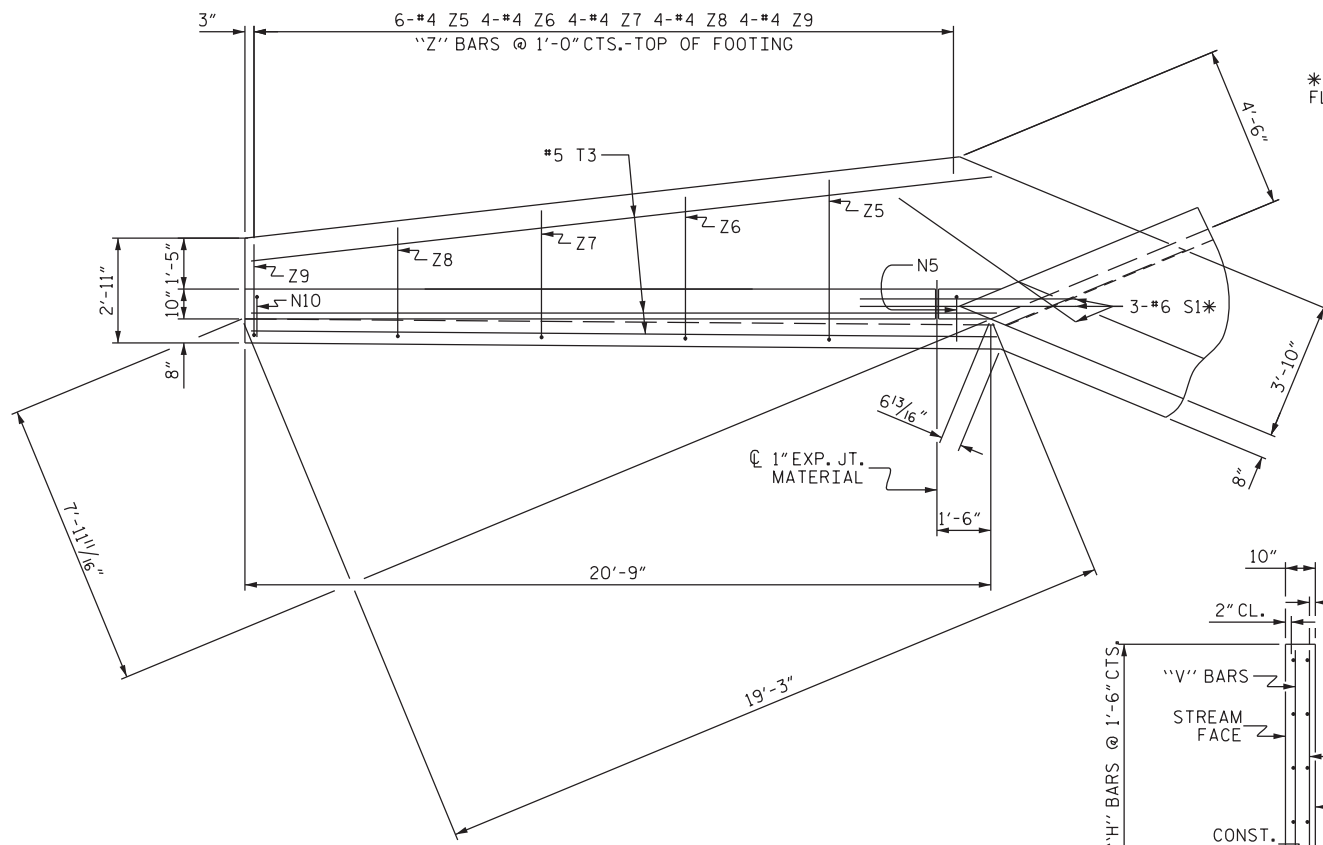
PROJECT NO. \_\_\_\_\_  
 \_\_\_\_\_ COUNTY  
 STATION: \_\_\_\_\_  
 SHEET \_ OF \_

STATE OF NORTH CAROLINA  
 DEPARTMENT OF TRANSPORTATION  
 RALEIGH  
**STANDARD WINGS  
 FOR  
 CONCRETE BOX CULVERT**  
 H = 7'-0" SLOPE = 2:1  
 45° SKEW

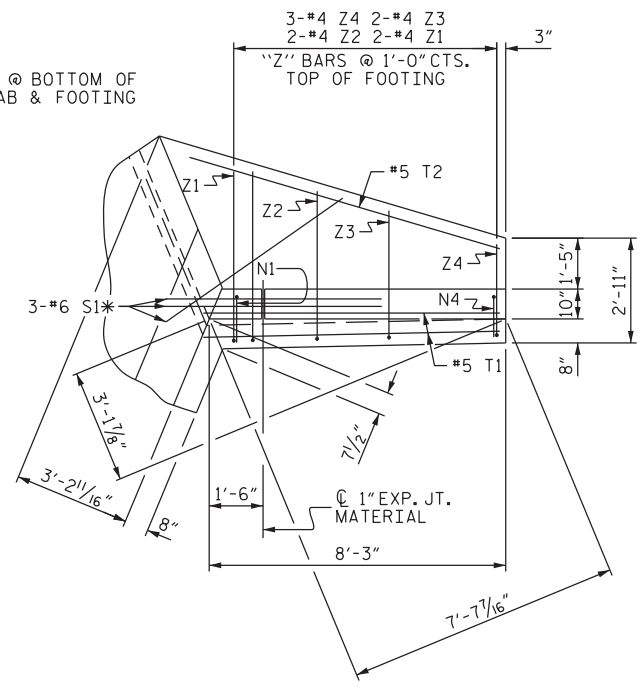
ASSEMBLED BY : - DATE : -  
 CHECKED BY : - DATE : -  
 DRAWN BY : CCJ 01/00 REV. 6/19 MAA/THC  
 CHECKED BY : RWW 03/00

REVISIONS						SHEET NO.
NO.	BY:	DATE:	NO.	BY:	DATE:	TOTAL SHEETS
1			3			
2			4			

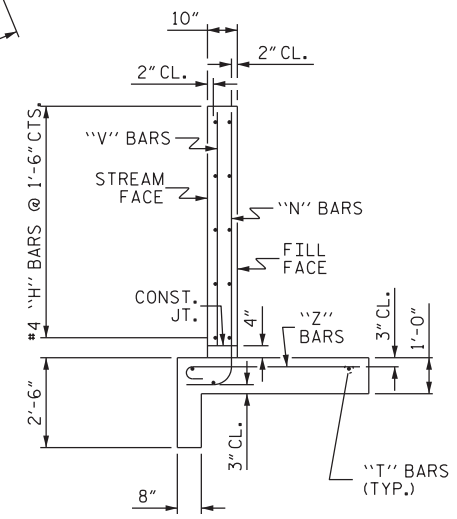
DOCUMENT NOT CONSIDERED  
 FINAL UNLESS ALL  
 SIGNATURES COMPLETED



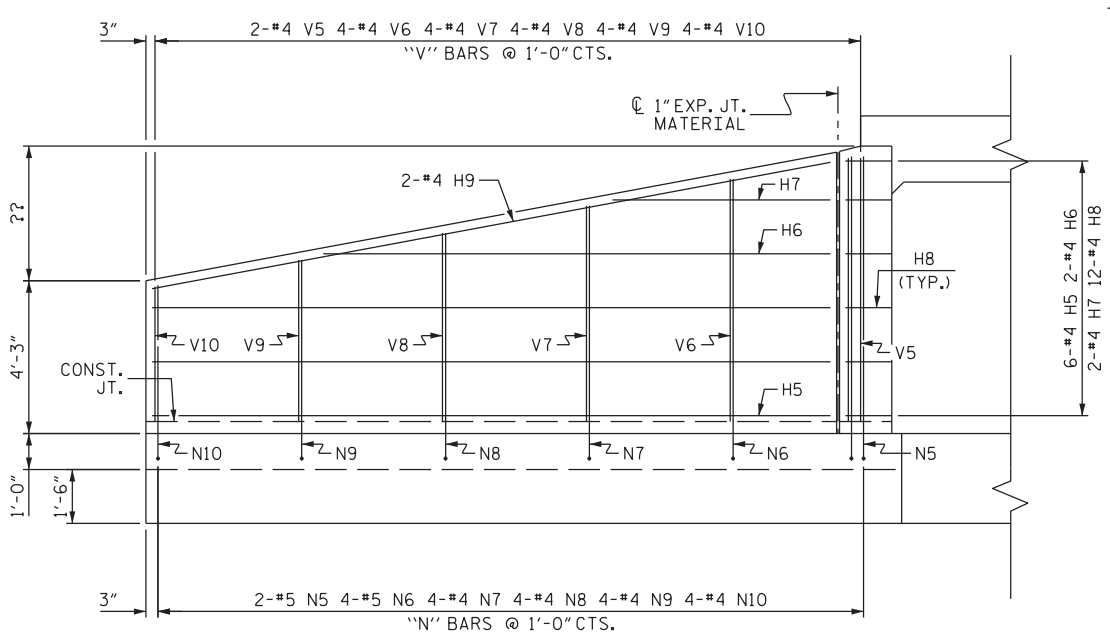
PLAN W1



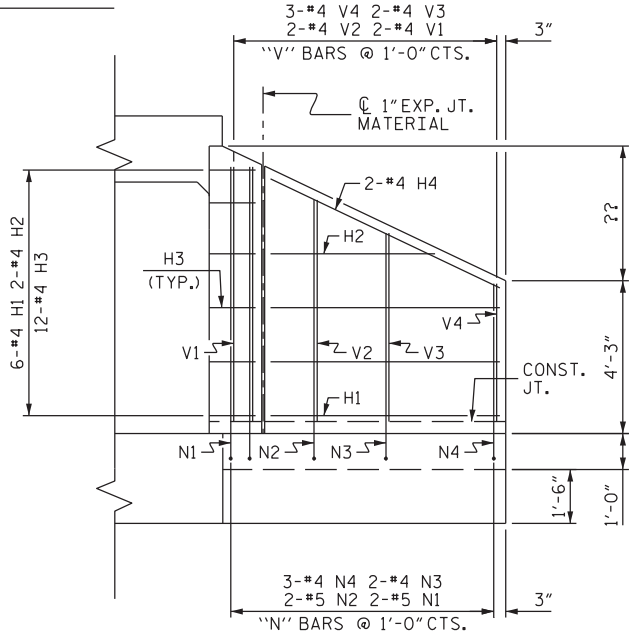
PLAN W2



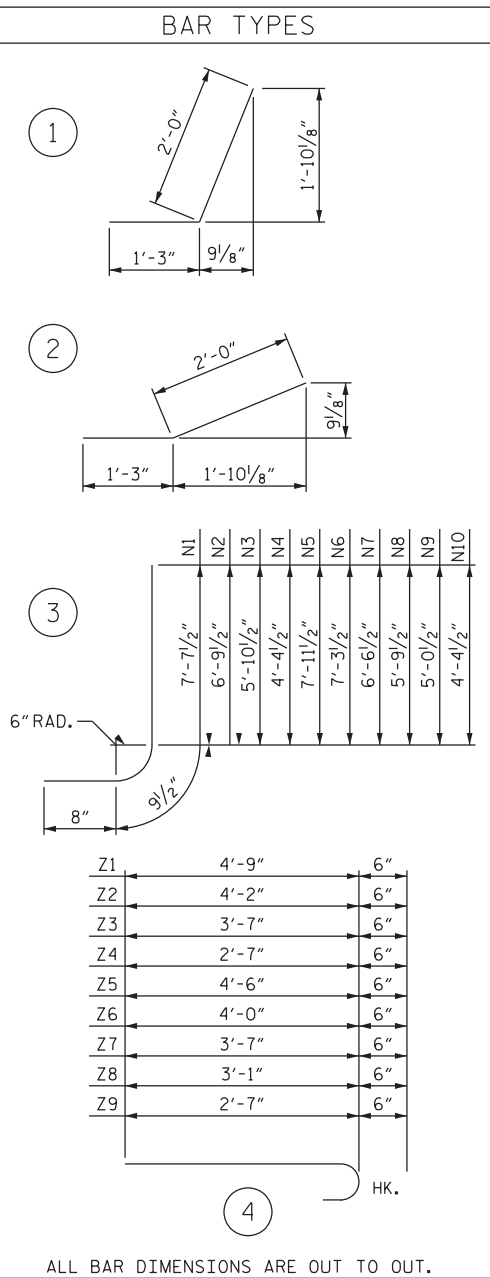
TYPICAL WING SECTION



ELEVATION W1



ELEVATION W2



ALL BAR DIMENSIONS ARE OUT TO OUT.

BILL OF MATERIAL					
BAR NO.	SIZE	TYPE	LENGTH	WEIGHT	
H1	12	#4	STR	6'-4"	51
H2	4	#4	STR	4'-6"	12
H3	24	#4	1	3'-3"	52
H4	4	#4	STR	7'-0"	19
H5	12	#4	STR	18'-10"	151
H6	4	#4	STR	14'-1"	38
H7	4	#4	STR	6'-0"	16
H8	24	#4	2	3'-3"	52
H9	4	#4	STR	19'-2"	51
N1	4	#5	3	9'-1"	38
N2	4	#5	3	8'-3"	34
N3	4	#4	3	7'-4"	20
N4	6	#4	3	5'-7"	22
N5	4	#5	3	9'-5"	39
N6	8	#5	3	8'-9"	73
N7	8	#4	3	8'-0"	43
N8	8	#4	3	7'-3"	39
N9	8	#4	3	6'-6"	35
N10	8	#4	3	5'-10"	31
S1	12	#6	STR	6'-0"	108
T1	4	#5	STR	8'-3"	34
T2	2	#5	STR	9'-0"	19
T3	6	#5	STR	20'-9"	130
V1	4	#4	STR	7'-1"	19
V2	4	#4	STR	6'-2"	16
V3	4	#4	STR	5'-3"	14
V4	6	#4	STR	3'-9"	15
V5	4	#4	STR	7'-4"	20
V6	8	#4	STR	6'-9"	36
V7	8	#4	STR	6'-0"	32
V8	8	#4	STR	5'-3"	28
V9	8	#4	STR	4'-6"	24
V10	8	#4	STR	3'-9"	20
Z1	4	#4	4	5'-3"	14
Z2	4	#4	4	4'-8"	12
Z3	4	#4	4	4'-1"	11
Z4	6	#4	4	3'-1"	12
Z5	12	#4	4	5'-0"	40
Z6	8	#4	4	4'-6"	24
Z7	8	#4	4	4'-1"	22
Z8	8	#4	4	3'-7"	19
Z9	8	#4	4	3'-1"	16
REINFORCING STEEL FOR 4 WINGS				1501	LBS
CLASS A CONCRETE					
4 WINGS				23.6	CY
2 HEADWALLS					CY
2 END CURTAIN WALLS					CY
TOTAL					CY

PROJECT NO. \_\_\_\_\_

\_\_\_\_\_ COUNTY

STATION: \_\_\_\_\_

SHEET \_ OF \_

STATE OF NORTH CAROLINA  
DEPARTMENT OF TRANSPORTATION  
RALEIGH

**STANDARD WINGS  
FOR  
CONCRETE BOX CULVERT**  
H = 7'-0" SLOPE = 2:1  
135° SKEW

ASSEMBLED BY : -	DATE : -
CHECKED BY : -	DATE : -
DRAWN BY : CCJ 01/00	REV. 6/19 MAA/THC
CHECKED BY : RWW 03/00	

DOCUMENT NOT CONSIDERED  
FINAL UNLESS ALL  
SIGNATURES COMPLETED

REVISIONS						SHEET NO.
NO.	BY:	DATE:	NO.	BY:	DATE:	
1			3			TOTAL SHEETS
2			4			

STD. NO. CW13507