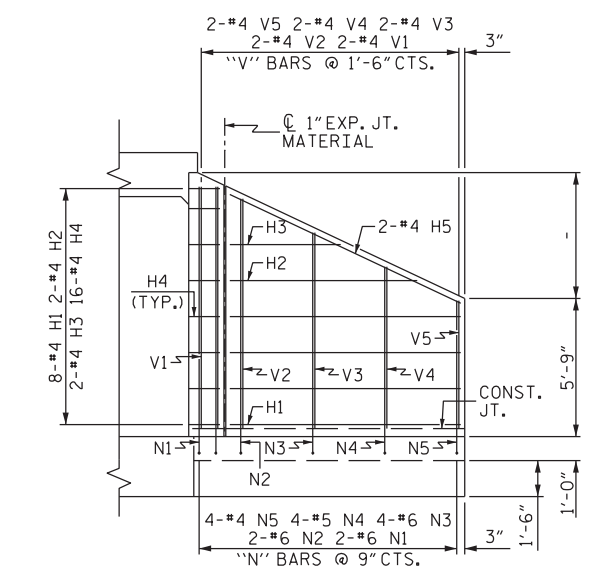


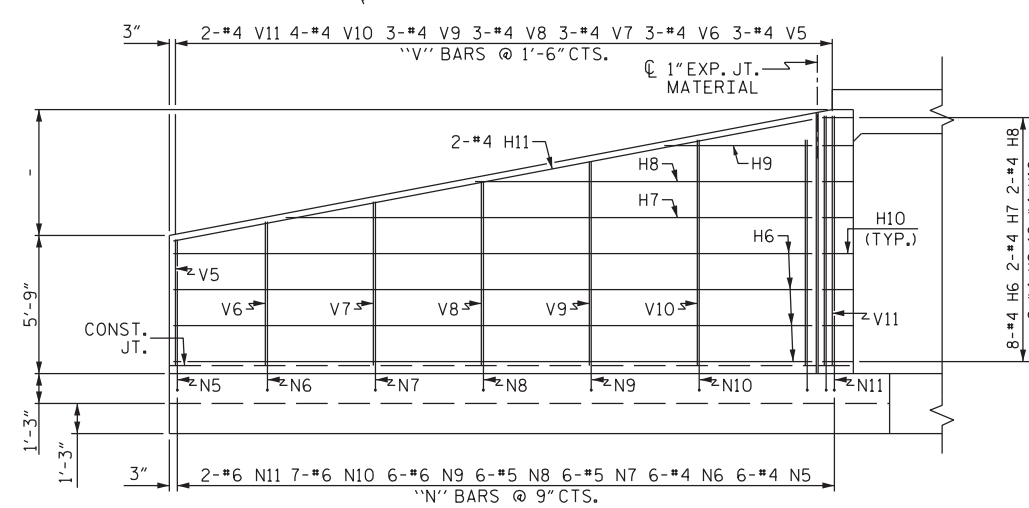
PLAN W2

PLAN W1

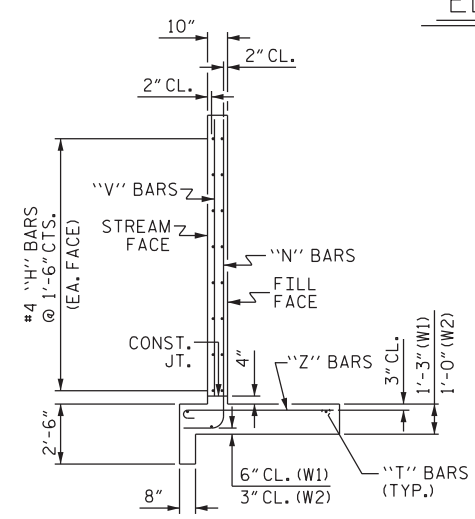
* CENTER ALL #6 C1 BARS ON C CENTERFORT



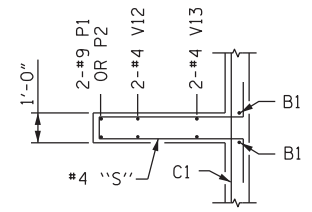
ELEVATION W2



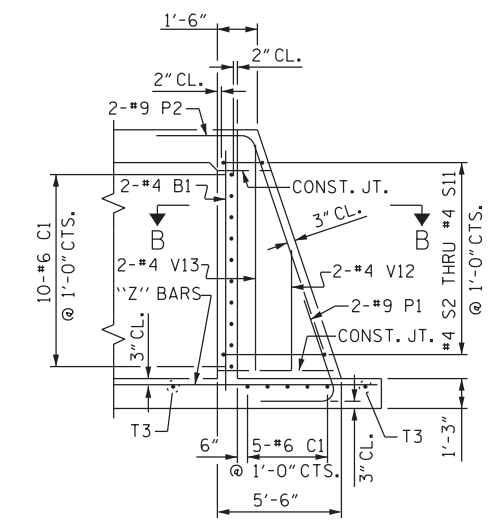
ELEVATION W1



WING SECTION



SECTION B-B



SECTION A-A

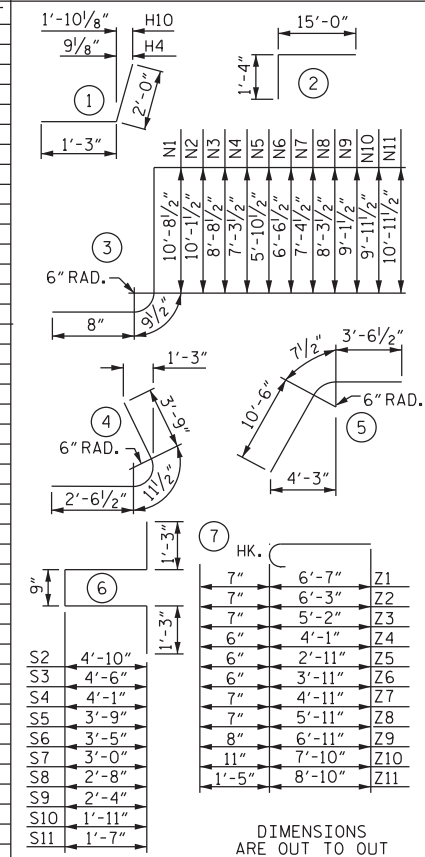
STANDARD REINFORCING STEEL IN BARREL NOT SHOWN

BILL OF MATERIAL

BAR NO.	SIZE	TYPE	LENGTH	WEIGHT
B1	#4	STR	11'-0"	29
C1	#6	STR	10'-0"	451
H6	#4	STR	26'-7"	284
H7	#4	STR	21'-11"	59
H8	#4	STR	14'-0"	37
H9	#4	STR	6'-2"	16
H10	#4	STR	3'-3"	69
H11	#4	STR	27'-11"	75
M1	#8	2	16'-4"	436
N5	#4	3	7'-4"	59
N6	#4	3	8'-0"	64
N7	#5	3	8'-10"	111
N8	#5	3	9'-9"	122
N9	#6	3	10'-7"	191
N10	#6	3	11'-5"	240
N11	#4	3	12'-5"	75
P1	#9	4	7'-3"	99
P2	#9	5	14'-8"	199
S2	#4	6	12'-11"	17
S3	#4	6	12'-3"	16
S4	#4	6	11'-5"	15
S5	#4	6	10'-9"	14
S6	#4	6	10'-1"	13
S7	#4	6	9'-3"	12
S8	#4	6	8'-7"	11
S9	#4	6	7'-11"	11
S10	#4	6	7'-1"	9
S11	#4	6	6'-5"	9
T2	#5	STR	28'-6"	238
T3	#5	STR	14'-0"	58
V5	#5	STR	5'-3"	21
V6	#4	STR	6'-0"	24
V7	#4	STR	6'-10"	27
V8	#4	STR	7'-8"	31
V9	#4	STR	8'-6"	34
V10	#4	STR	9'-5"	50
V11	#4	STR	10'-5"	28
V12	#4	STR	5'-0"	13
V13	#4	STR	9'-6"	25
Z5	#4	7	3'-5"	27
Z6	#4	7	4'-5"	35
Z7	#5	7	5'-6"	69
Z8	#5	7	6'-6"	81
Z9	#6	7	7'-7"	137
Z10	#8	7	8'-9"	280
Z11	#10	7	10'-3"	617
Z12	#10	STR	10'-10"	653
Z13	#10	STR	10'-1"	607
Z14	#10	STR	9'-4"	562
REINFORCING STEEL FOR 2 W1 WINGS				6,360 LBS.
REINFORCING STEEL FOR 2 W2 WINGS				991 LBS.

LONG WING W1

BAR TYPES



DIMENSIONS ARE OUT TO OUT

BAR NO.	SIZE	TYPE	LENGTH	WEIGHT
H1	#4	STR	9'-7"	102
H2	#4	STR	7'-9"	21
H3	#4	STR	4'-7"	12
H4	#4	STR	3'-3"	69
H5	#4	STR	10'-7"	28
N1	#6	3	12'-2"	73
N2	#6	3	11'-7"	70
N3	#6	3	10'-2"	122
N4	#5	3	8'-9"	73
N5	#4	3	7'-4"	39
S1	#6	STR	6'-0"	54
T1	#5	STR	11'-6"	72
V1	#4	STR	10'-1"	27
V2	#4	STR	9'-7"	26
V3	#4	STR	8'-2"	22
V4	#4	STR	6'-9"	18
V5	#4	STR	5'-4"	14
Z1	#5	7	7'-2"	30
Z2	#5	7	6'-10"	29
Z3	#5	7	5'-9"	48
Z4	#4	7	4'-7"	24
Z5	#4	7	3'-5"	18

SHORT WING W2

WING QUANTITIES

REINFORCING STEEL FOR 4 WINGS	7,351 LBS.
CLASS A CONCRETE	55.1 C.Y.
4 WINGS	- C.Y.
2 END CURTAIN WALL	- C.Y.
2 HEADWALLS	- C.Y.
TOTAL	- C.Y.

PROJECT NO. _____ COUNTY _____

STATION: _____ SHEET _ OF _

STATE OF NORTH CAROLINA
DEPARTMENT OF TRANSPORTATION
RALEIGH

STANDARD WINGS
FOR MULTIPLE BARREL
CONCRETE BOX CULVERT
H = 10'-0" SLOPE = 2:1
135° SKEW

REVISIONS						SHEET NO.
NO.	BY:	DATE:	NO.	BY:	DATE:	TOTAL SHEETS
1			3			
2			4			

DOCUMENT NOT CONSIDERED FINAL UNLESS ALL SIGNATURES COMPLETED

ASSEMBLED BY :	-	DATE :	-
CHECKED BY :	-	DATE :	-
DRAWN BY :	MAA	9/15	REV. 6/19
CHECKED BY :	BHB	9/15	MAA/THC