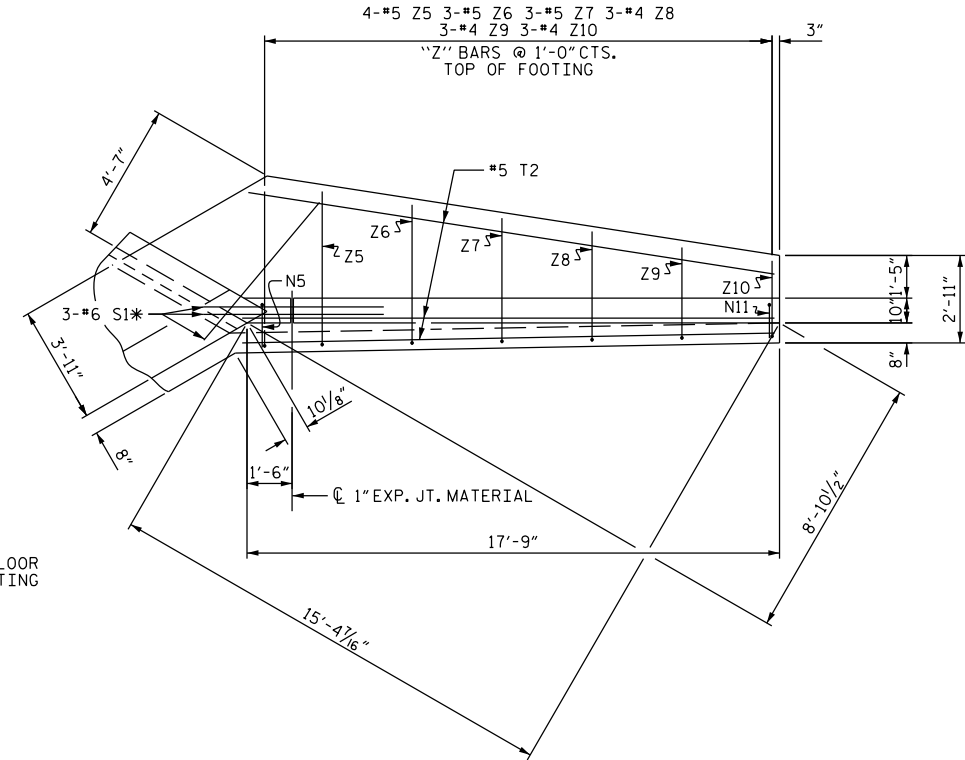
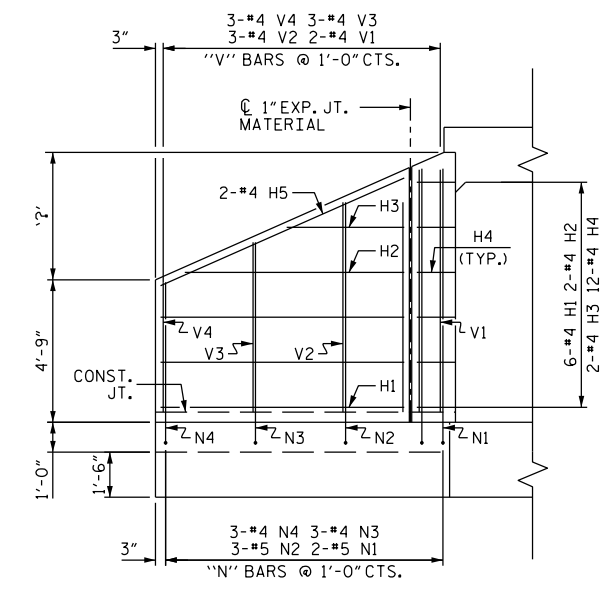


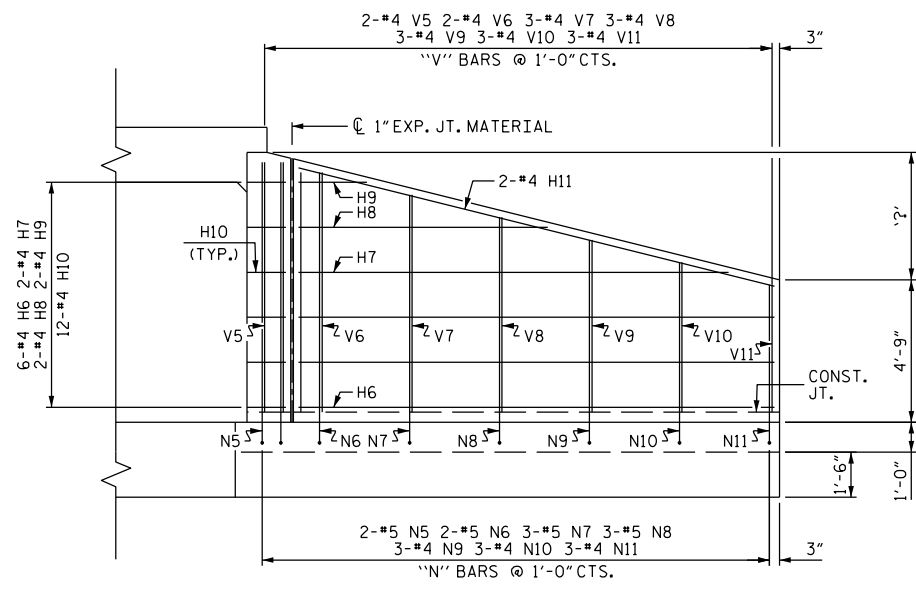
PLAN W2



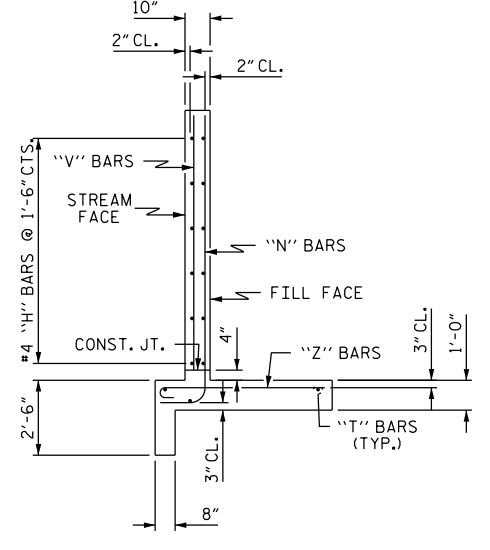
PLAN W1



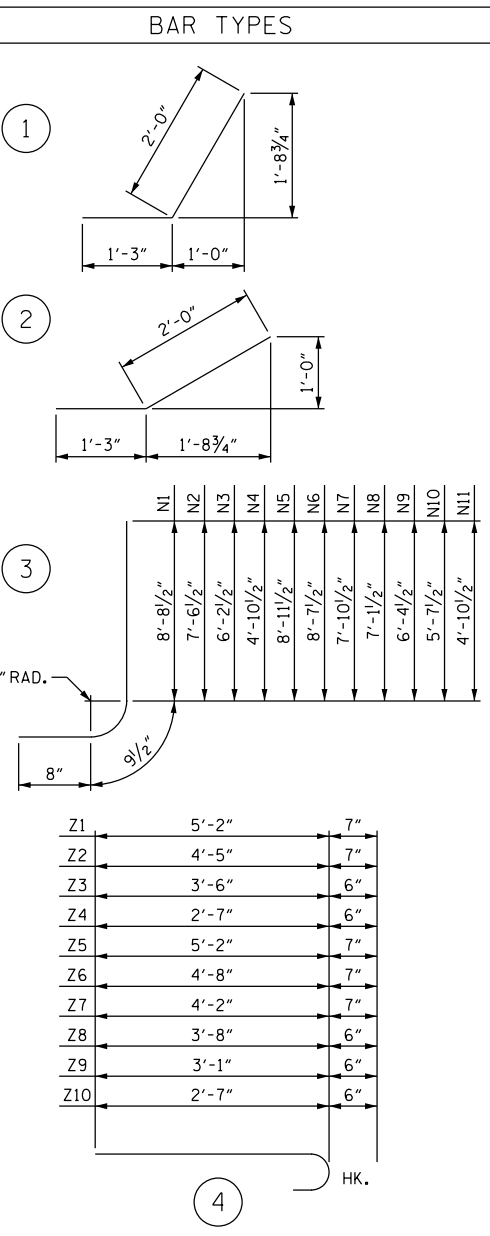
ELEVATION W2



ELEVATION W1



TYPICAL WING SECTION



ALL BAR DIMENSIONS ARE OUT TO OUT.

BILL OF MATERIAL					
BAR	NO.	SIZE	TYPE	LENGTH	WEIGHT
H1	12	#4	STR	8'-1"	65
H2	4	#4	STR	7'-3"	19
H3	4	#4	STR	3'-11"	10
H4	24	#4	1	3'-3"	52
H5	4	#4	STR	8'-10"	24
H6	12	#4	STR	15'-10"	127
H7	4	#4	STR	14'-4"	38
H8	4	#4	STR	8'-3"	22
H9	4	#4	STR	2'-3"	6
H10	24	#4	2	3'-3"	52
H11	4	#4	STR	16'-4"	44
N1	4	#5	3	10'-2"	42
N2	6	#5	3	9'-0"	56
N3	6	#4	3	7'-8"	31
N4	6	#4	3	6'-4"	25
N5	4	#5	3	10'-5"	43
N6	4	#5	3	10'-1"	42
N7	6	#5	3	9'-4"	58
N8	6	#5	3	8'-7"	54
N9	6	#4	3	7'-10"	31
N10	6	#4	3	7'-1"	28
N11	6	#4	3	6'-4"	25
S1	12	#6	STR	6'-0"	108
T1	6	#5	STR	10'-0"	63
T2	6	#5	STR	17'-9"	111
V1	4	#4	STR	8'-1"	22
V2	6	#4	STR	7'-0"	28
V3	6	#4	STR	5'-8"	23
V4	6	#4	STR	4'-4"	17
V5	4	#4	STR	8'-4"	22
V6	4	#4	STR	8'-0"	21
V7	6	#4	STR	7'-3"	29
V8	6	#4	STR	6'-6"	26
V9	6	#4	STR	5'-9"	23
V10	6	#4	STR	5'-0"	20
V11	6	#4	STR	4'-3"	17
Z1	4	#5	4	5'-9"	24
Z2	6	#5	4	5'-0"	31
Z3	6	#4	4	4'-0"	16
Z4	6	#4	4	3'-1"	12
Z5	8	#5	4	5'-9"	48
Z6	6	#5	4	5'-3"	33
Z7	6	#5	4	4'-9"	30
Z8	6	#4	4	4'-2"	17
Z9	6	#4	4	3'-7"	14
Z10	6	#4	4	3'-1"	12
REINFORCING STEEL					1661 LBS
FOR 4 WINGS					
CLASS A CONCRETE					
4 WINGS					24.3 CY
2 HEADWALLS					CY
2 END CURTAIN WALLS					CY
TOTAL					CY

PROJECT NO. \_\_\_\_\_ COUNTY \_\_\_\_\_

STATION: \_\_\_\_\_

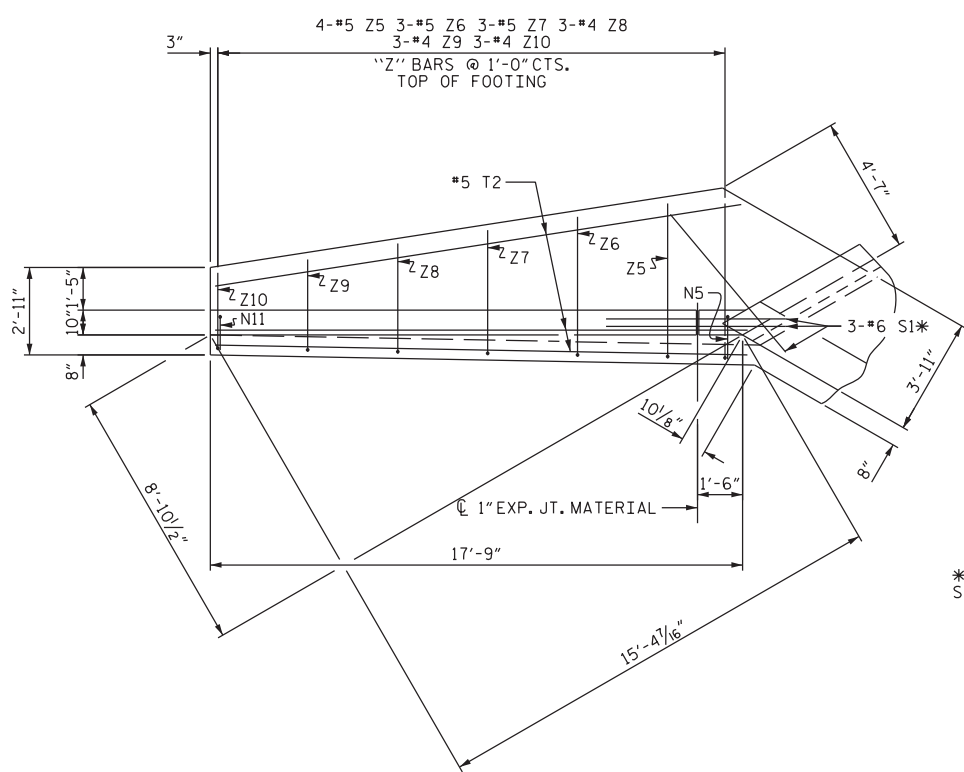
SHEET \_\_\_\_\_ OF \_\_\_\_\_

STATE OF NORTH CAROLINA  
DEPARTMENT OF TRANSPORTATION  
RALEIGH  
STANDARD WINGS  
FOR  
CONCRETE BOX CULVERT  
H = 8'-0" SLOPE = 2:1  
60° SKEW

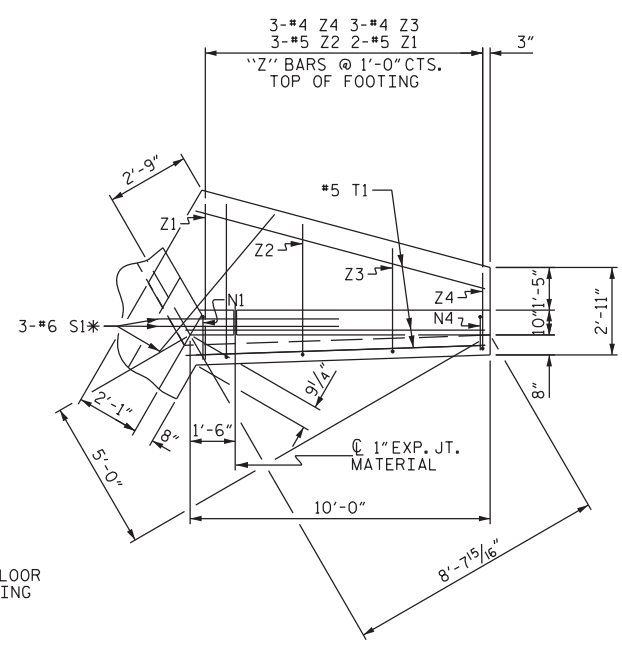
REVISIONS						SHEET NO.
NO.	BY:	DATE:	NO.	BY:	DATE:	TOTAL SHEETS
1			3			
2			4			

DOCUMENT NOT CONSIDERED FINAL UNLESS ALL SIGNATURES COMPLETED

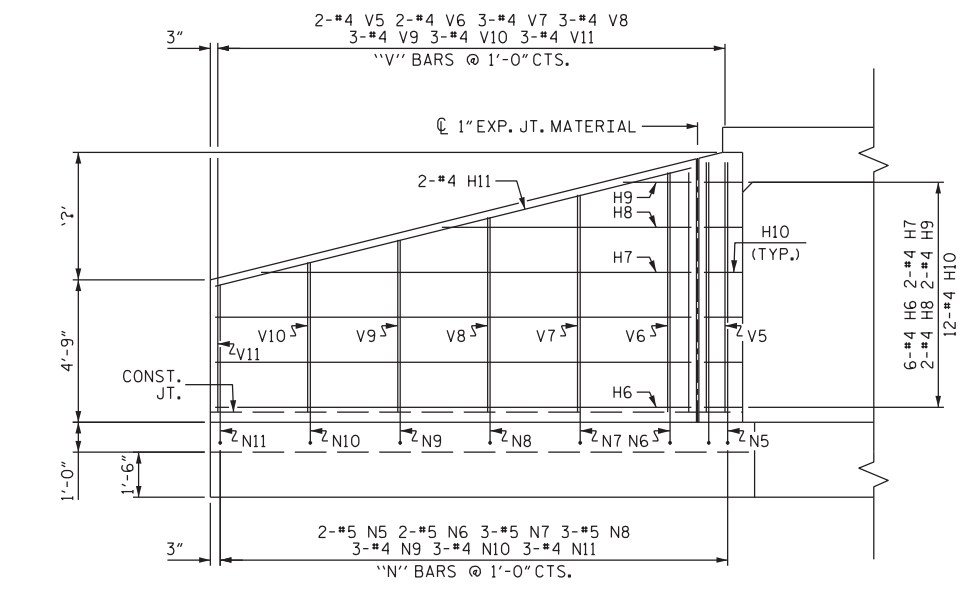
ASSEMBLED BY : -	DATE : -
CHECKED BY : -	DATE : -
DRAWN BY : CCJ 11/99	REV. 6/19 MAA/THC
CHECKED BY : RWW 03/00	



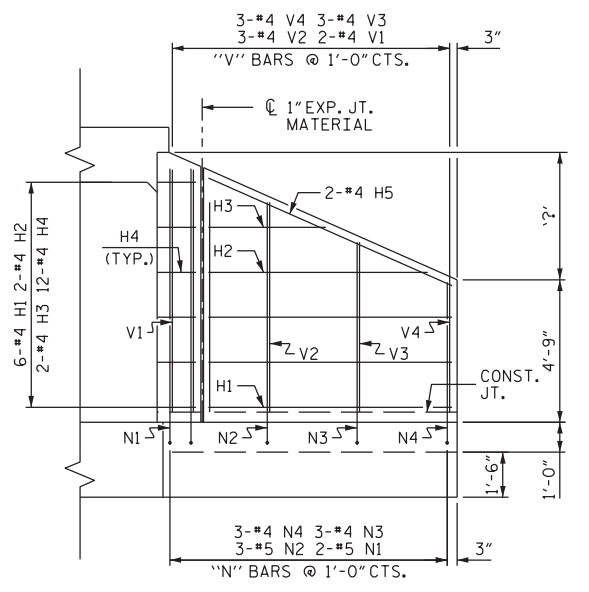
PLAN W1



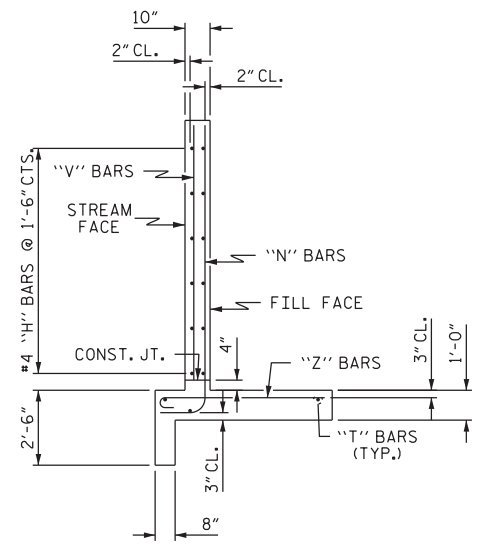
PLAN W2



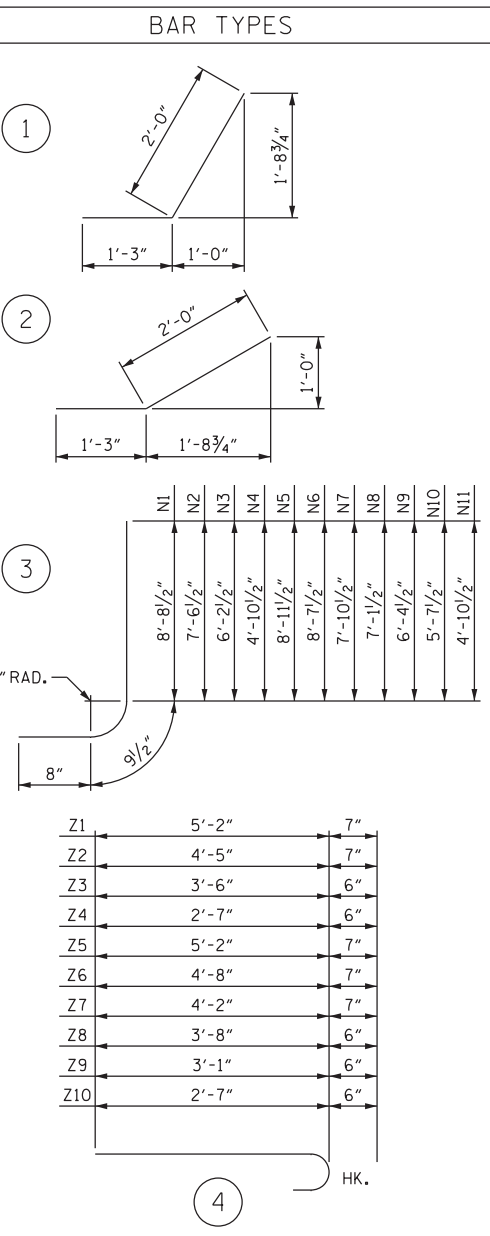
ELEVATION W1



ELEVATION W2



TYPICAL WING SECTION



BAR TYPES

BILL OF MATERIAL					
BAR	NO.	SIZE	TYPE	LENGTH	WEIGHT
H1	12	#4	STR	8'-1"	65
H2	4	#4	STR	7'-3"	19
H3	4	#4	STR	3'-11"	10
H4	24	#4	1	3'-3"	52
H5	4	#4	STR	8'-10"	24
H6	12	#4	STR	15'-10"	127
H7	4	#4	STR	14'-4"	38
H8	4	#4	STR	8'-3"	22
H9	4	#4	STR	2'-3"	6
H10	24	#4	2	3'-3"	52
H11	4	#4	STR	16'-4"	44
N1	4	#5	3	10'-2"	42
N2	6	#5	3	9'-0"	56
N3	6	#4	3	7'-8"	31
N4	6	#4	3	6'-4"	25
N5	4	#5	3	10'-5"	43
N6	4	#5	3	10'-1"	42
N7	6	#5	3	9'-4"	58
N8	6	#5	3	8'-7"	54
N9	6	#4	3	7'-10"	31
N10	6	#4	3	7'-1"	28
N11	6	#4	3	6'-4"	25
S1	12	#6	STR	6'-0"	108
T1	6	#5	STR	10'-0"	63
T2	6	#5	STR	17'-9"	111
V1	4	#4	STR	8'-1"	22
V2	6	#4	STR	7'-0"	28
V3	6	#4	STR	5'-8"	23
V4	6	#4	STR	4'-4"	17
V5	4	#4	STR	8'-4"	22
V6	4	#4	STR	8'-0"	21
V7	6	#4	STR	7'-3"	29
V8	6	#4	STR	6'-6"	26
V9	6	#4	STR	5'-9"	23
V10	6	#4	STR	5'-0"	20
V11	6	#4	STR	4'-3"	17
Z1	4	#5	4	5'-9"	24
Z2	6	#5	4	5'-0"	31
Z3	6	#4	4	4'-0"	16
Z4	6	#4	4	3'-1"	12
Z5	8	#5	4	5'-9"	48
Z6	6	#5	4	5'-3"	33
Z7	6	#5	4	4'-9"	30
Z8	6	#4	4	4'-2"	17
Z9	6	#4	4	3'-7"	14
Z10	6	#4	4	3'-1"	12
REINFORCING STEEL FOR 4 WINGS					1661 LBS
CLASS A CONCRETE					
4 WINGS					24.3 CY
2 HEADWALLS					CY
2 END CURTAIN WALLS					CY
TOTAL					CY

PROJECT NO. \_\_\_\_\_  
 \_\_\_\_\_ COUNTY  
 STATION: \_\_\_\_\_  
 SHEET \_ OF \_

STATE OF NORTH CAROLINA  
 DEPARTMENT OF TRANSPORTATION  
 RALEIGH  
 STANDARD WINGS  
 FOR  
 CONCRETE BOX CULVERT  
 H = 8'-0" SLOPE = 2:1  
 120° SKEW

ASSEMBLED BY : - DATE : -  
 CHECKED BY : - DATE : -  
 DRAWN BY : CCJ 11/99 REV. 6/19 MAA/THC  
 CHECKED BY : RWW 03/00

REVISIONS						SHEET NO.
NO.	BY:	DATE:	NO.	BY:	DATE:	TOTAL SHEETS
1			3			
2			4			

DOCUMENT NOT CONSIDERED  
 FINAL UNLESS ALL  
 SIGNATURES COMPLETED