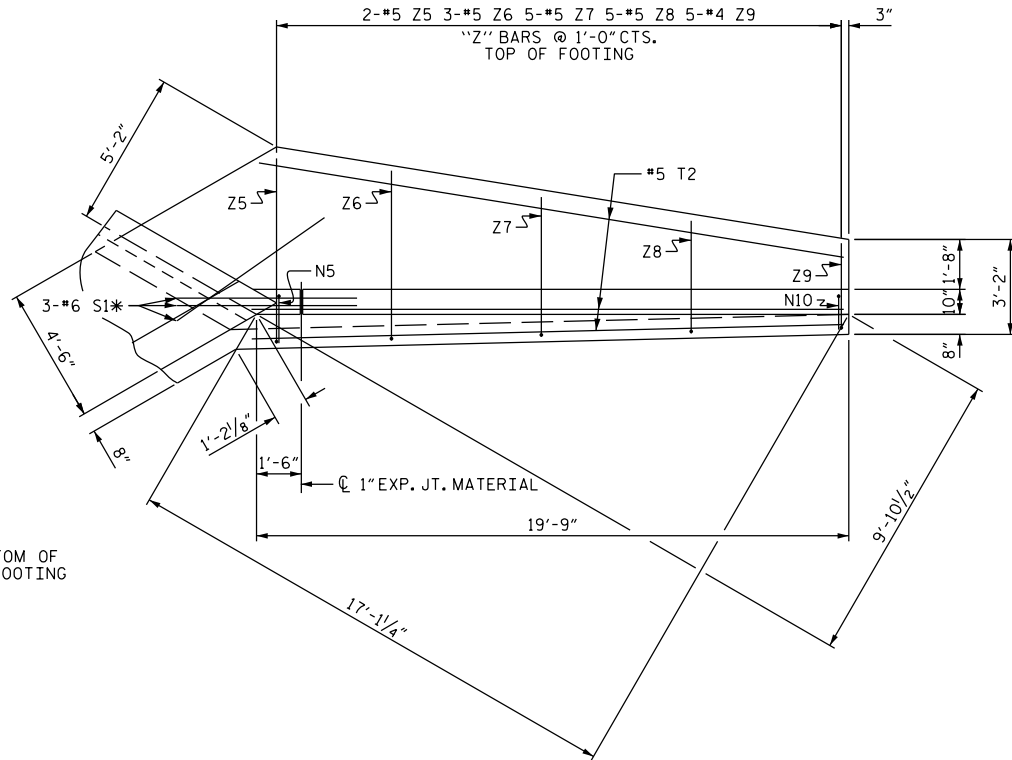
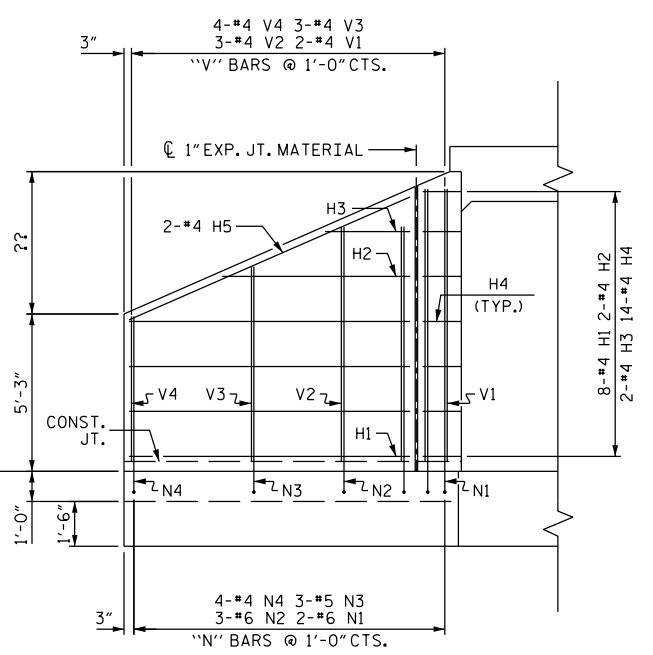


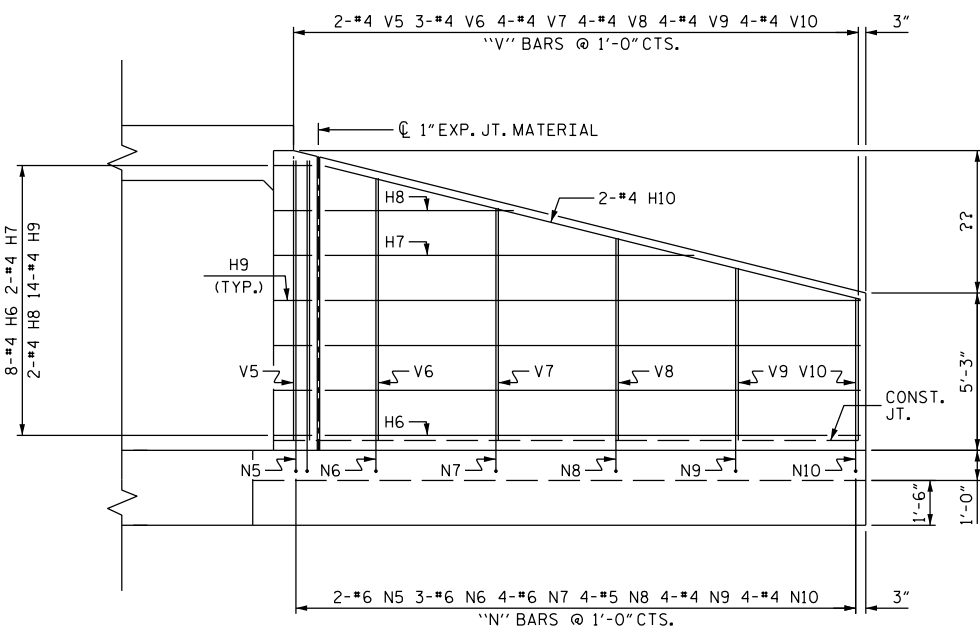
PLAN W2



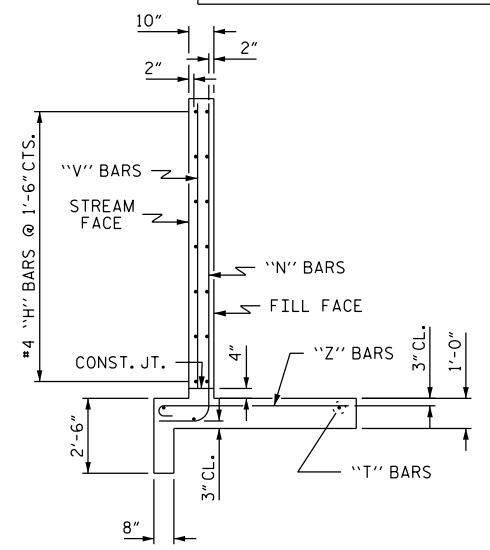
PLAN W1



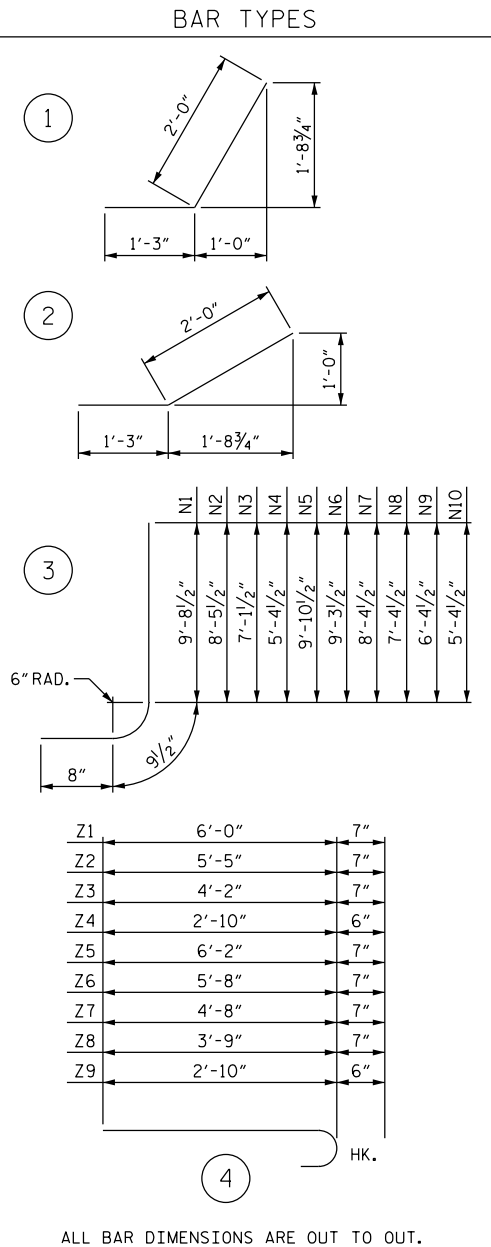
ELEVATION W2



ELEVATION W1



TYPICAL WING SECTION



BILL OF MATERIAL					
BAR	NO.	SIZE	TYPE	LENGTH	WEIGHT
H1	16	#4	STR	9'-4"	100
H2	4	#4	STR	6'-3"	17
H3	4	#4	STR	2'-10"	8
H4	28	#4	1	3'-3"	61
H5	4	#4	STR	10'-2"	27
H6	16	#4	STR	17'-10"	191
H7	4	#4	STR	12'-4"	33
H8	4	#4	STR	6'-3"	17
H9	28	#4	2	3'-3"	61
H10	4	#4	STR	18'-5"	49
N1	4	#6	3	11'-2"	67
N2	6	#6	3	9'-11"	89
N3	6	#5	3	8'-7"	54
N4	8	#4	3	6'-10"	37
N5	4	#6	3	11'-4"	68
N6	6	#6	3	10'-9"	97
N7	8	#6	3	9'-10"	118
N8	8	#5	3	8'-10"	74
N9	8	#4	3	7'-10"	42
N10	8	#4	3	6'-10"	37
S1	12	#6	STR	6'-0"	108
T1	6	#5	STR	11'-3"	70
T2	6	#5	STR	19'-9"	124
V1	4	#4	STR	9'-1"	24
V2	6	#4	STR	7'-10"	31
V3	6	#4	STR	6'-6"	26
V4	8	#4	STR	4'-10"	26
V5	4	#4	STR	9'-4"	25
V6	6	#4	STR	8'-9"	35
V7	8	#4	STR	7'-9"	41
V8	8	#4	STR	6'-9"	36
V9	8	#4	STR	5'-9"	31
V10	8	#4	STR	4'-9"	25
Z1	4	#5	4	6'-7"	27
Z2	4	#5	4	6'-0"	25
Z3	8	#5	4	4'-9"	40
Z4	8	#4	4	3'-4"	18
Z5	4	#5	4	6'-9"	28
Z6	6	#5	4	6'-3"	39
Z7	10	#5	4	5'-3"	55
Z8	10	#5	4	4'-4"	45
Z9	10	#4	4	3'-4"	22

PROJECT NO. \_\_\_\_\_ COUNTY \_\_\_\_\_

STATION: \_\_\_\_\_

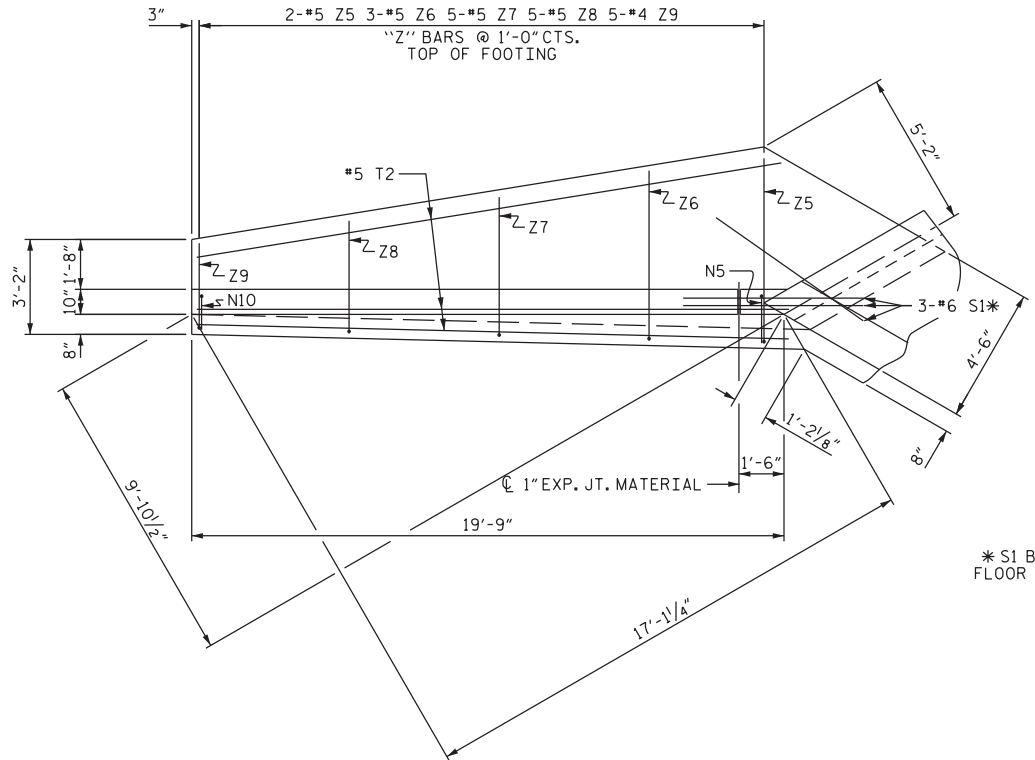
SHEET \_\_\_\_\_ OF \_\_\_\_\_

STATE OF NORTH CAROLINA  
DEPARTMENT OF TRANSPORTATION  
RALEIGH  
STANDARD WINGS  
FOR  
CONCRETE BOX CULVERT  
H = 9'-0" SLOPE = 2:1  
60° SKEW

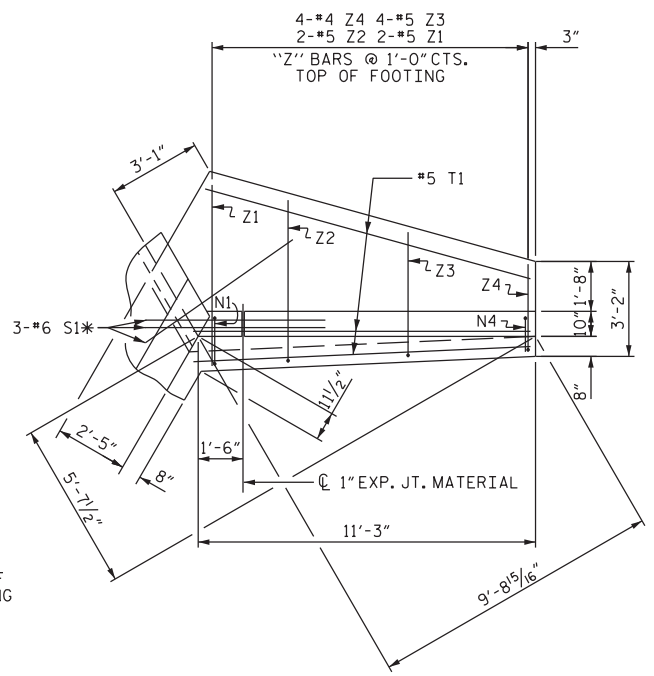
REVISIONS						SHEET NO.
NO.	BY:	DATE:	NO.	BY:	DATE:	TOTAL SHEETS
1			3			
2			4			

DOCUMENT NOT CONSIDERED FINAL UNLESS ALL SIGNATURES COMPLETED

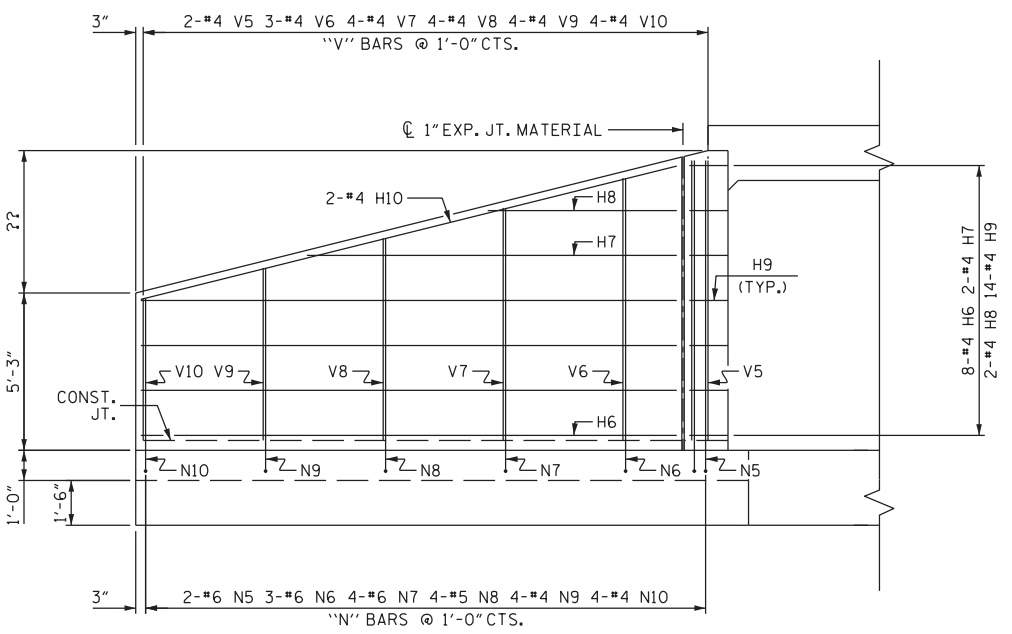
ASSEMBLED BY : -	DATE : -
CHECKED BY : -	DATE : -
DRAWN BY : CCJ 12/99	REV. 6/19 MAA/THC
CHECKED BY : RWW 03/00	



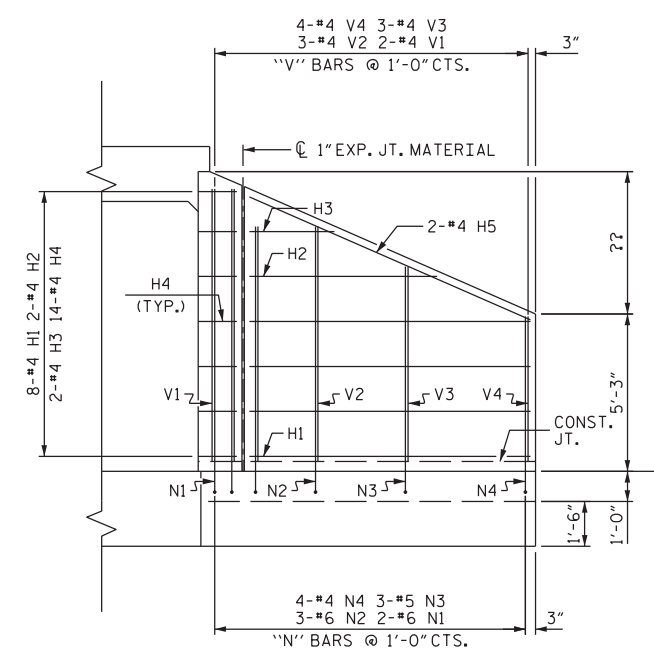
PLAN W1



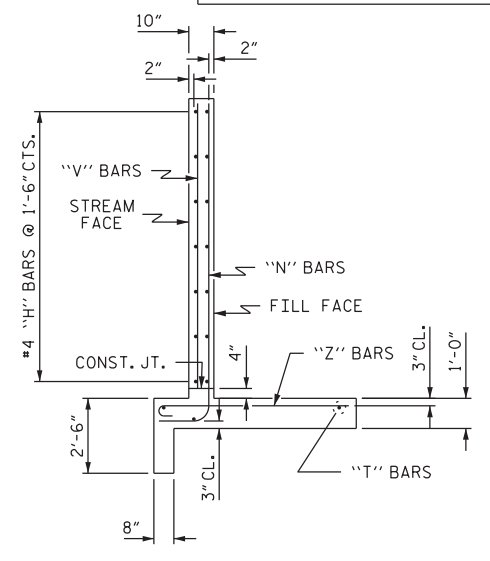
PLAN W2



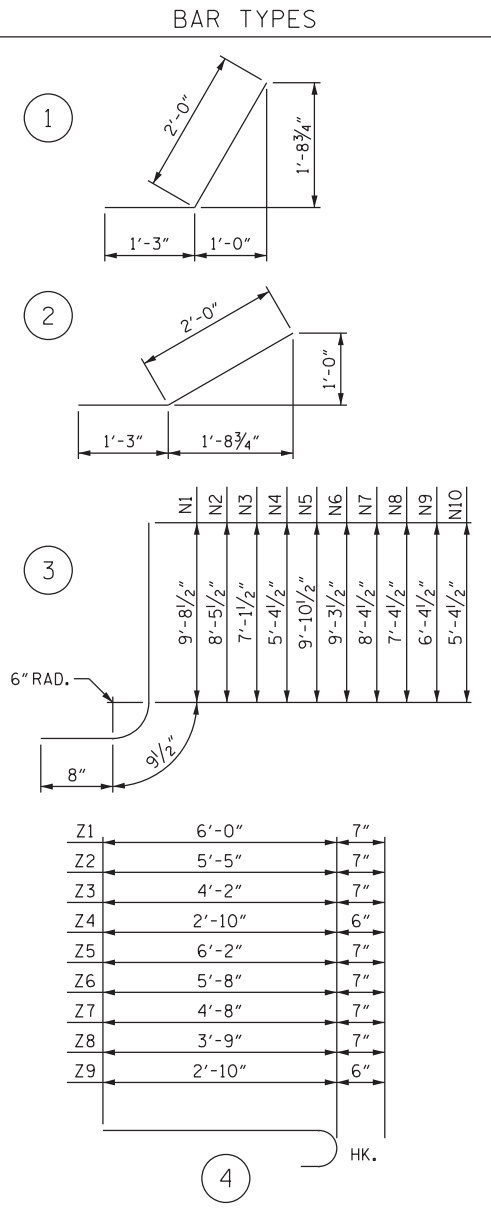
ELEVATION W1



ELEVATION W2



TYPICAL WING SECTION



ALL BAR DIMENSIONS ARE OUT TO OUT.

BILL OF MATERIAL					
BAR	NO.	SIZE	TYPE	LENGTH	WEIGHT
H1	16	#4	STR	9'-4"	100
H2	4	#4	STR	6'-3"	17
H3	4	#4	STR	2'-10"	8
H4	28	#4	1	3'-3"	61
H5	4	#4	STR	10'-2"	27
H6	16	#4	STR	17'-10"	191
H7	4	#4	STR	12'-4"	33
H8	4	#4	STR	6'-3"	17
H9	28	#4	2	3'-3"	61
H10	4	#4	STR	18'-5"	49
N1	4	#6	3	11'-2"	67
N2	6	#6	3	9'-11"	89
N3	6	#5	3	8'-7"	54
N4	8	#4	3	6'-10"	37
N5	4	#6	3	11'-4"	68
N6	6	#6	3	10'-9"	97
N7	8	#6	3	9'-10"	118
N8	8	#5	3	8'-10"	74
N9	8	#4	3	7'-10"	42
N10	8	#4	3	6'-10"	37
S1	12	#6	STR	6'-0"	108
T1	6	#5	STR	11'-3"	70
T2	6	#5	STR	19'-9"	124
V1	4	#4	STR	9'-1"	24
V2	6	#4	STR	7'-10"	31
V3	6	#4	STR	6'-6"	26
V4	8	#4	STR	4'-10"	26
V5	4	#4	STR	9'-4"	25
V6	6	#4	STR	8'-9"	35
V7	8	#4	STR	7'-9"	41
V8	8	#4	STR	6'-9"	36
V9	8	#4	STR	5'-9"	31
V10	8	#4	STR	4'-9"	25
Z1	4	#5	4	6'-7"	27
Z2	4	#5	4	6'-0"	25
Z3	8	#5	4	4'-9"	40
Z4	8	#4	4	3'-4"	18
Z5	4	#5	4	6'-9"	28
Z6	6	#5	4	6'-3"	39
Z7	10	#5	4	5'-3"	55
Z8	10	#5	4	4'-4"	45
Z9	10	#4	4	3'-4"	22
REINFORCING STEEL					2148 LBS
FOR 4 WINGS					
CLASS A CONCRETE					30.2 CY
4 WINGS					CY
2 HEADWALLS					CY
2 END CURTAIN WALLS					CY
TOTAL					CY

PROJECT NO. \_\_\_\_\_ COUNTY \_\_\_\_\_

STATION: \_\_\_\_\_ SHEET \_\_\_\_\_ OF \_\_\_\_\_

STATE OF NORTH CAROLINA  
DEPARTMENT OF TRANSPORTATION  
RALEIGH  
STANDARD WINGS  
FOR  
CONCRETE BOX CULVERT  
H = 9'-0" SLOPE = 2:1  
120° SKEW

ASSEMBLED BY : - DATE : -  
CHECKED BY : - DATE : -  
DRAWN BY : CCJ 12/99 REV. 6/19 MAA/THC  
CHECKED BY : RWW 03/00

DOCUMENT NOT CONSIDERED  
FINAL UNLESS ALL  
SIGNATURES COMPLETED

REVISIONS						SHEET NO.
NO.	BY:	DATE:	NO.	BY:	DATE:	TOTAL SHEETS
1			3			
2			4			