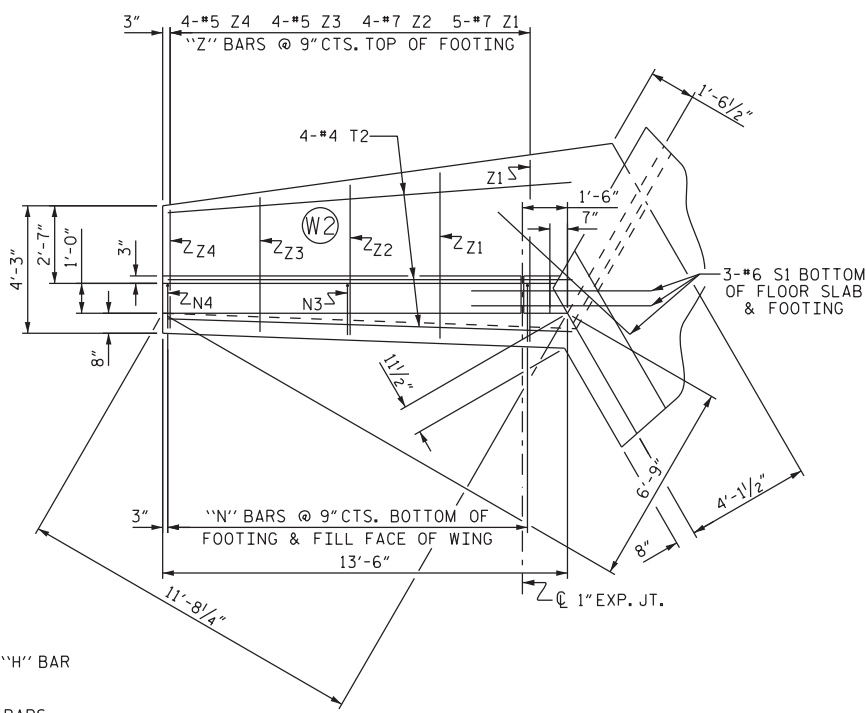
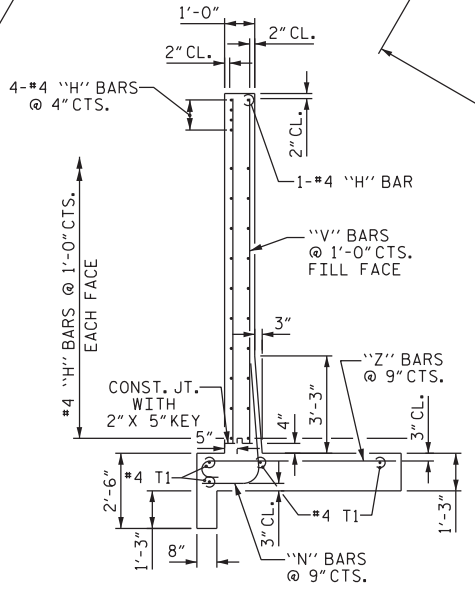


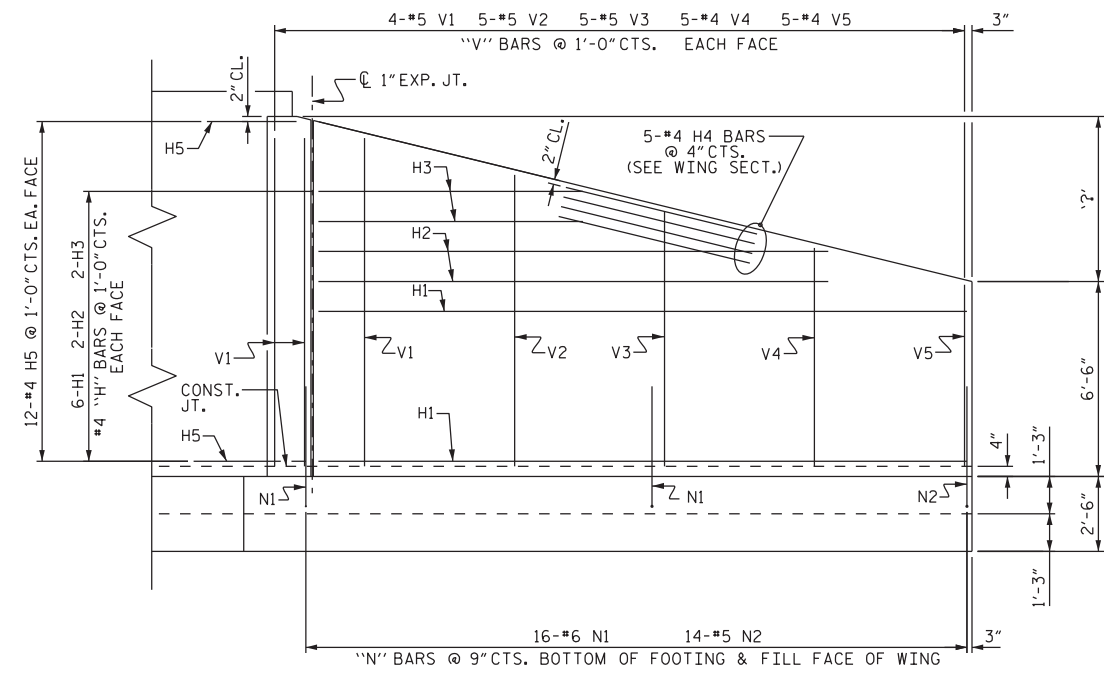
PLAN - W1



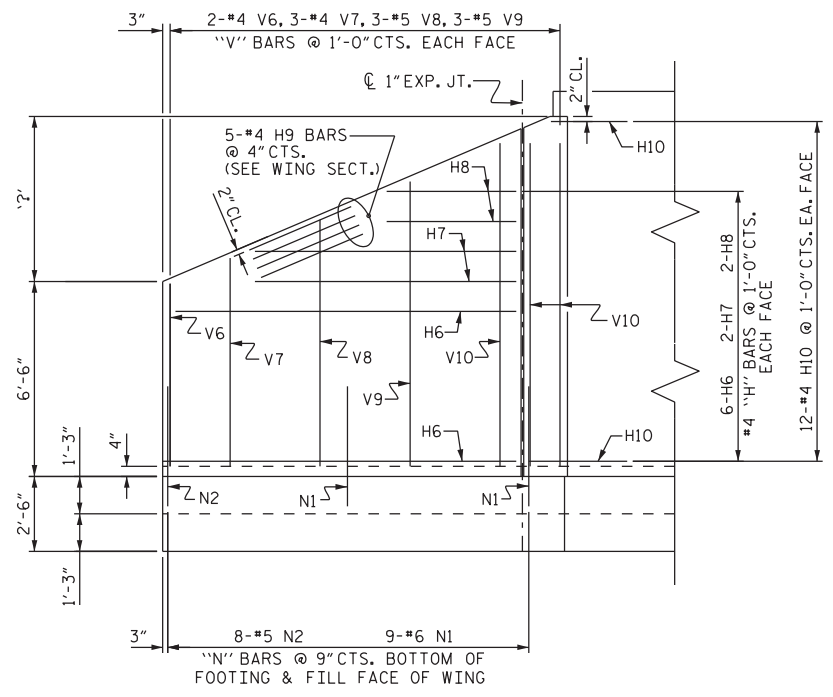
PLAN - W2



TYPICAL WING SECTION



ELEVATION - W1



ELEVATION - W2

BAR TYPES		BILL OF MATERIAL				
BAR NO.	SIZE	TYPE	LENGTH	WEIGHT		
H1	24	4	STR	21'-7"	346	
H2	8	4	STR	17'-0"	91	
H3	8	4	STR	8'-9"	47	
H4	10	4	STR	22'-3"	149	
H5	48	4	1	3'-3"	104	
H6	24	4	STR	11'-7"	186	
H7	8	4	STR	9'-0"	48	
H8	8	4	STR	4'-3"	23	
H9	10	4	STR	12'-7"	84	
H10	48	4	2	3'-3"	104	
N1	50	6	3	5'-11"	444	
N2	44	5	3	5'-8"	260	
S1	12	6	STR	6'-0"	108	
T1	8	4	STR	23'-6"	126	
T2	8	4	STR	13'-6"	72	
V1	16	5	STR	10'-11"	182	
V2	20	5	STR	9'-8"	202	
V3	20	5	STR	8'-6"	177	
V4	20	4	STR	7'-3"	97	
V5	20	4	STR	6'-0"	80	
V6	8	4	STR	6'-1"	33	
V7	12	4	STR	6'-11"	55	
V8	12	4	STR	8'-2"	65	
V9	12	5	STR	9'-6"	119	
V10	12	5	STR	10'-9"	135	
Z1	26	7	4	6'-4"	337	
Z2	24	7	4	5'-10"	286	
Z3	22	5	4	5'-1"	117	
Z4	22	5	4	4'-6"	103	
REINFORCING STEEL FOR 4 WINGS				4,180 LBS		
CLASS A CONCRETE						
4 WINGS				49.5	CY	
2 HEADWALLS					CY	
2 END CURTAIN WALLS					CY	
TOTAL					CY	

ALL BAR DIMENSIONS ARE OUT TO OUT.

PROJECT NO. _____

_____ COUNTY

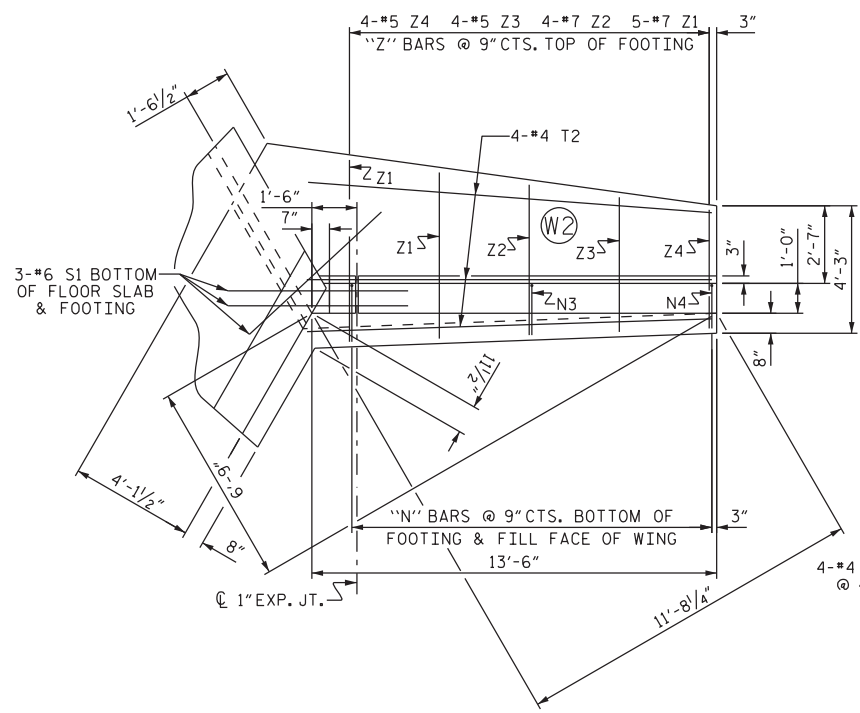
STATION: _____

SHEET _____ OF _____

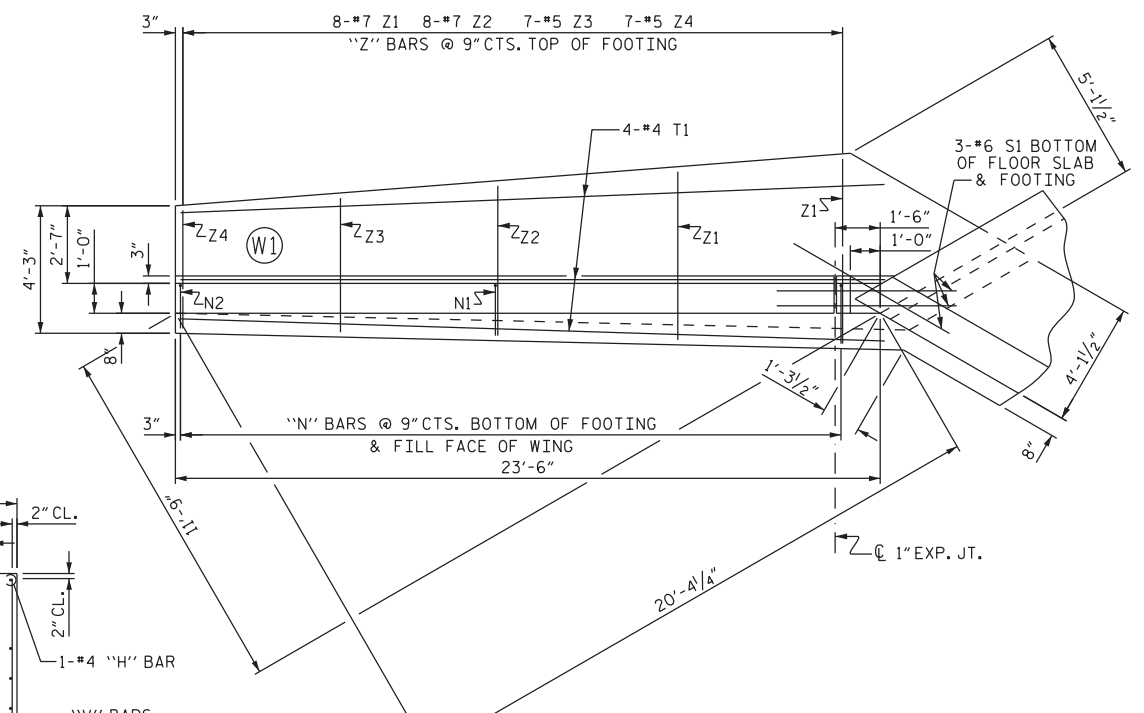
STATE OF NORTH CAROLINA
DEPARTMENT OF TRANSPORTATION
RALEIGH
STANDARD WINGS
FOR
CONCRETE BOX CULVERT
H = 11'-0" SLOPE = 2:1
60° SKEW

ASSEMBLED BY : -	DATE : -
CHECKED BY : -	DATE : -
DRAWN BY : AKP	12/04
CHECKED BY : MKB	2/05
REV. 6/19	MAA/THC

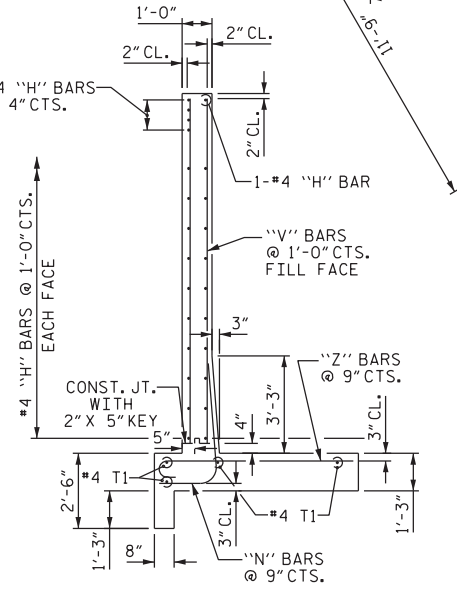
REVISIONS						SHEET NO.
NO.	BY:	DATE:	NO.	BY:	DATE:	TOTAL SHEETS
1			3			
2			4			



PLAN - W2



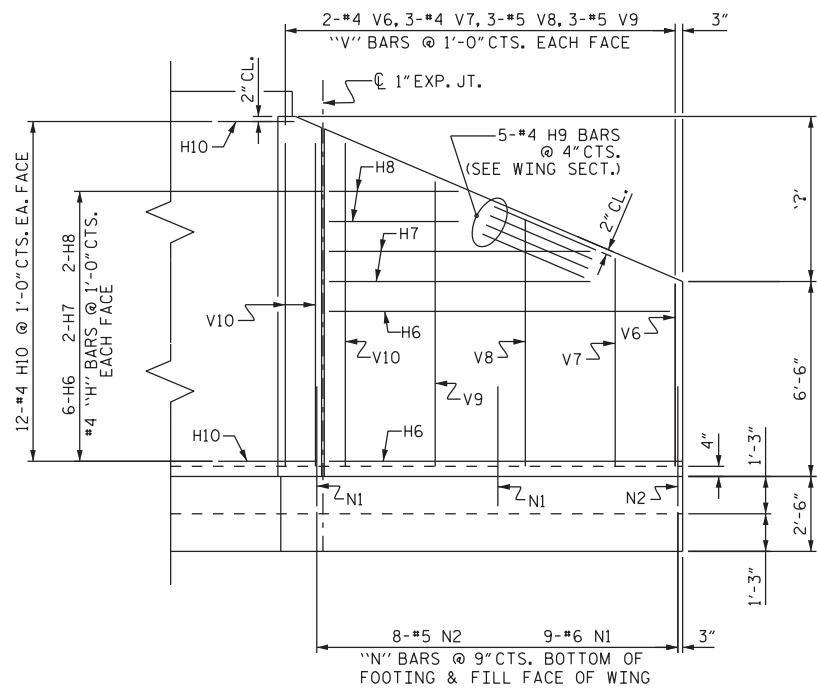
PLAN - W1



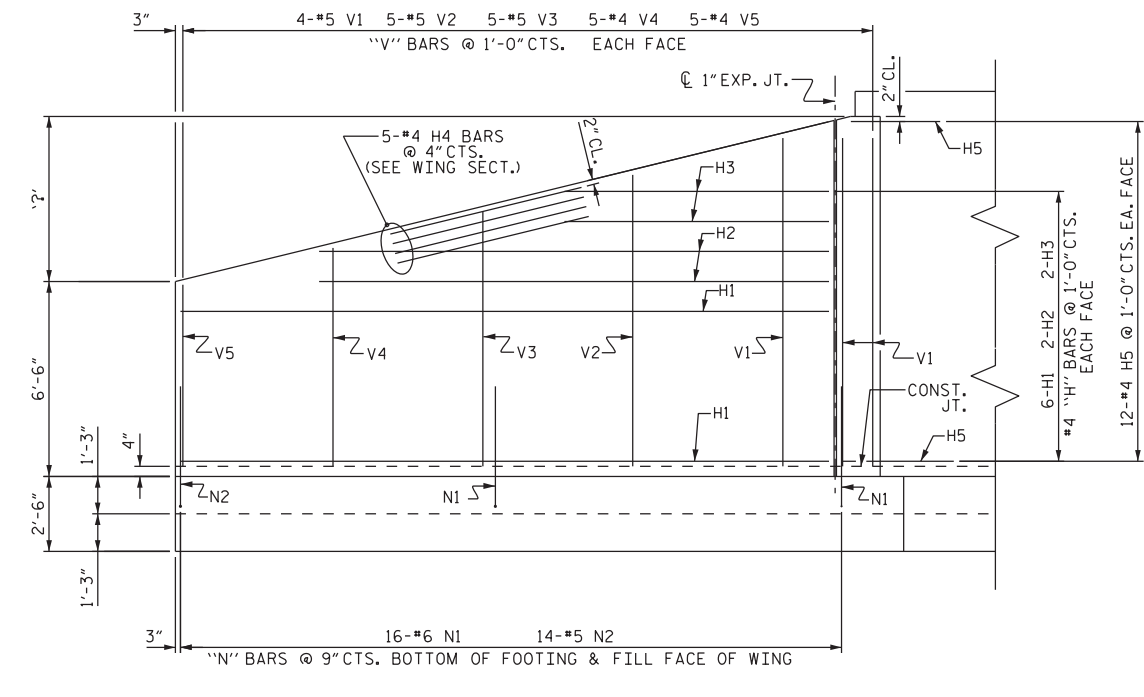
TYPICAL WING SECTION

BAR TYPES		BILL OF MATERIAL				
BAR	NO.	SIZE	TYPE	LENGTH	WEIGHT	
H1	24	4	STR	21'-7"	346	
H2	8	4	STR	17'-0"	91	
H3	8	4	STR	8'-9"	47	
H4	10	4	STR	22'-3"	149	
H5	48	4	1	3'-3"	104	
H6	24	4	STR	11'-7"	186	
H7	8	4	STR	9'-0"	48	
H8	8	4	STR	4'-3"	23	
H9	10	4	STR	12'-7"	84	
H10	48	4	2	3'-3"	104	
N1	50	6	3	5'-11"	444	
N2	44	5	3	5'-8"	260	
S1	12	6	STR	6'-0"	108	
T1	8	4	STR	23'-6"	126	
T2	8	4	STR	13'-6"	72	
V1	16	5	STR	10'-11"	182	
V2	20	5	STR	9'-8"	202	
V3	20	5	STR	8'-6"	177	
V4	20	4	STR	7'-3"	97	
V5	20	4	STR	6'-0"	80	
V6	8	4	STR	6'-1"	33	
V7	12	4	STR	6'-11"	55	
V8	12	4	STR	8'-2"	65	
V9	12	5	STR	9'-6"	119	
V10	12	5	STR	10'-9"	135	
Z1	26	7	4	6'-4"	337	
Z2	24	7	4	5'-10"	286	
Z3	22	5	4	5'-1"	117	
Z4	22	5	4	4'-6"	103	
REINFORCING STEEL FOR 4 WINGS					4,180 LBS	
CLASS A CONCRETE						
4 WINGS					49.5 CY	
2 HEADWALLS					CY	
2 END CURTAIN WALLS					CY	
TOTAL					CY	

ALL BAR DIMENSIONS ARE OUT TO OUT.



ELEVATION - W2



ELEVATION - W1

ASSEMBLED BY :	-	DATE :	-
CHECKED BY :	-	DATE :	-
DRAWN BY :	AKP	12/04	REV. 6/19
CHECKED BY :	MKB	2/05	MAA/THC

REVISIONS						SHEET NO.
NO.	BY:	DATE:	NO.	BY:	DATE:	TOTAL SHEETS
1			3			
2			4			

PROJECT NO. _____
 _____ COUNTY
 STATION: _____
 SHEET _ OF _

STATE OF NORTH CAROLINA
 DEPARTMENT OF TRANSPORTATION
 RALEIGH

STANDARD WINGS
 FOR
 CONCRETE BOX CULVERT
 H = 11'-0" SLOPE = 2:1
 120° SKEW