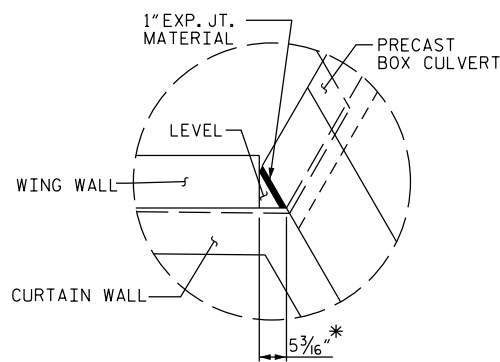
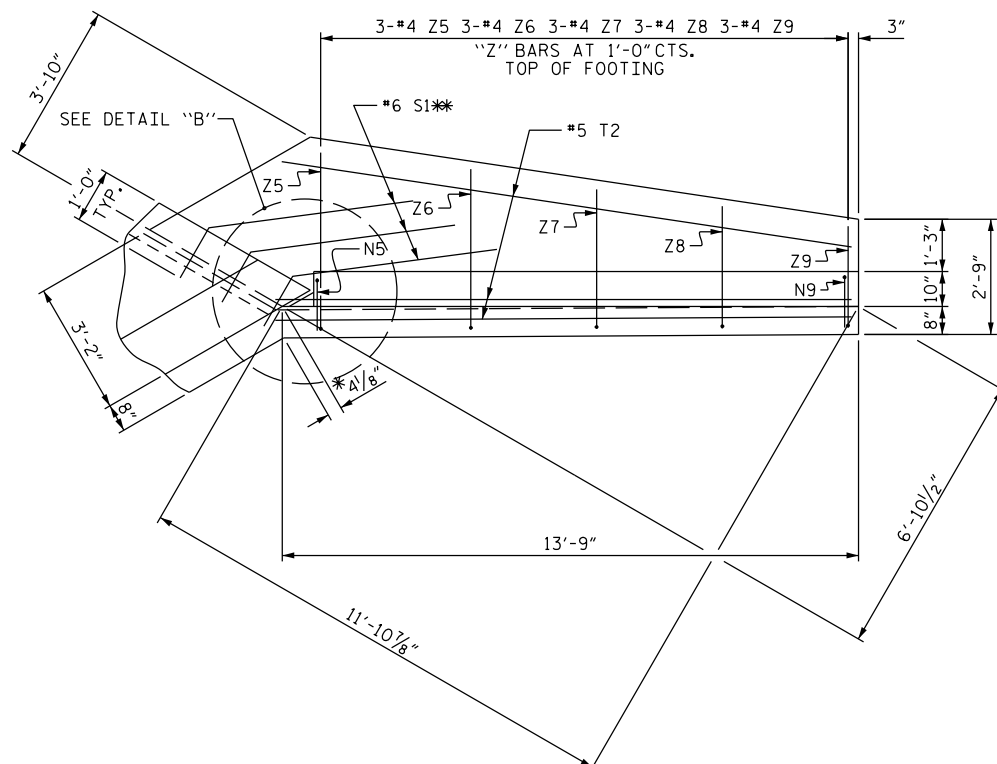


PLAN W2

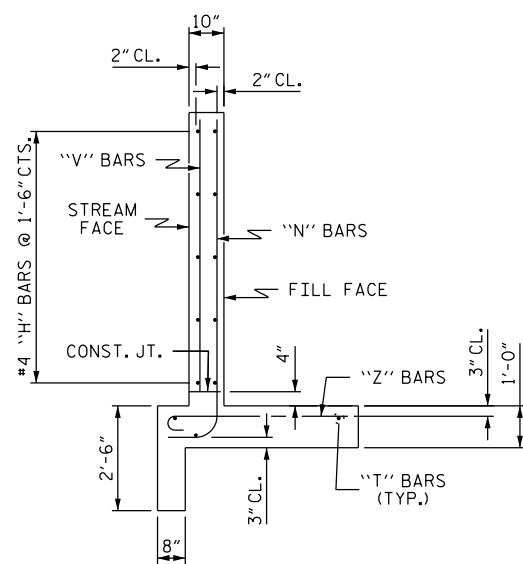


DETAIL "A"

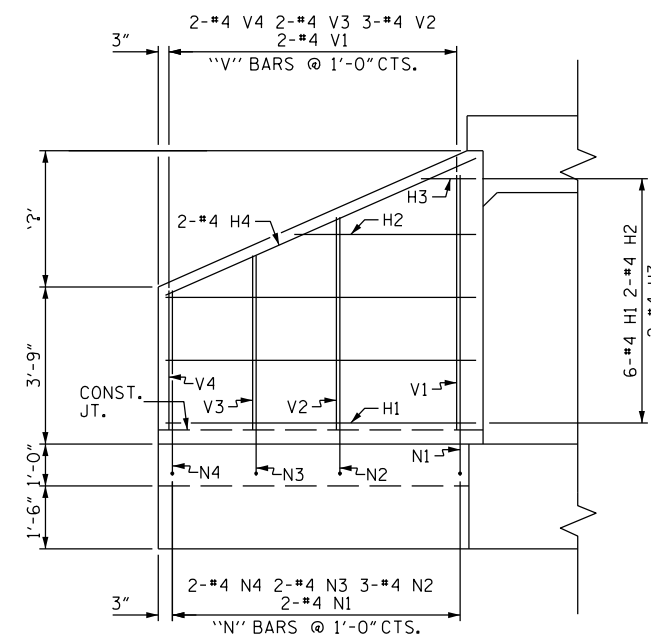
* 3-#6 S1 BARS x 6'-0" @ 1'-0" CTS. (WING 1) AND @ 6" CTS. (WING 2). DRILL 7/8" Ø x 1'-0" HOLE FOR #6 REBAR CENTERED AND ATTACHED w/ EPOXY GROUT IN BOT. OF SLAB (TYP.) FIELD BENT INTO WING FOOTING



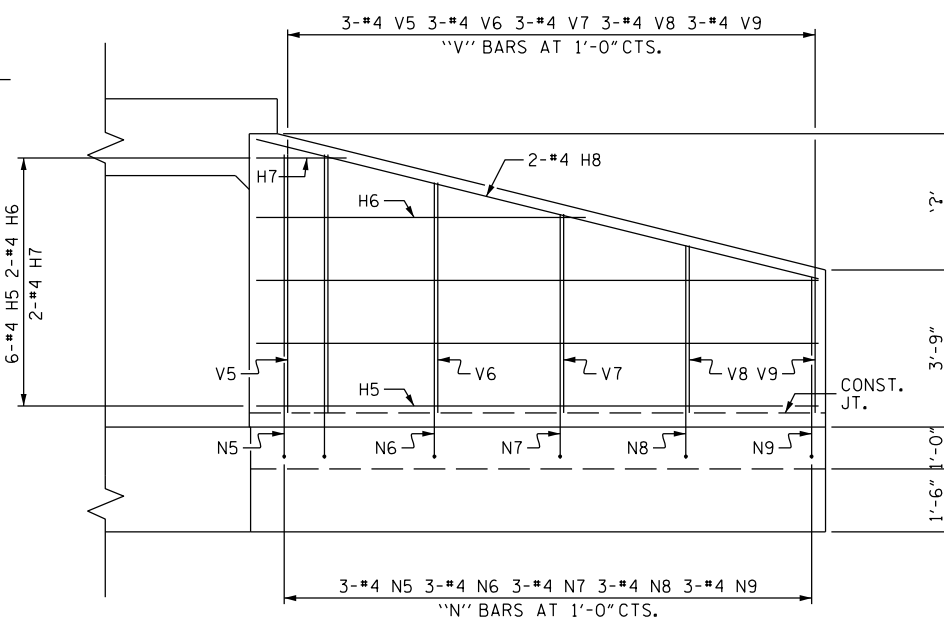
PLAN W1



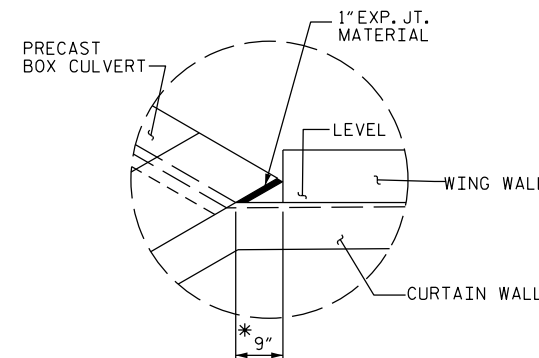
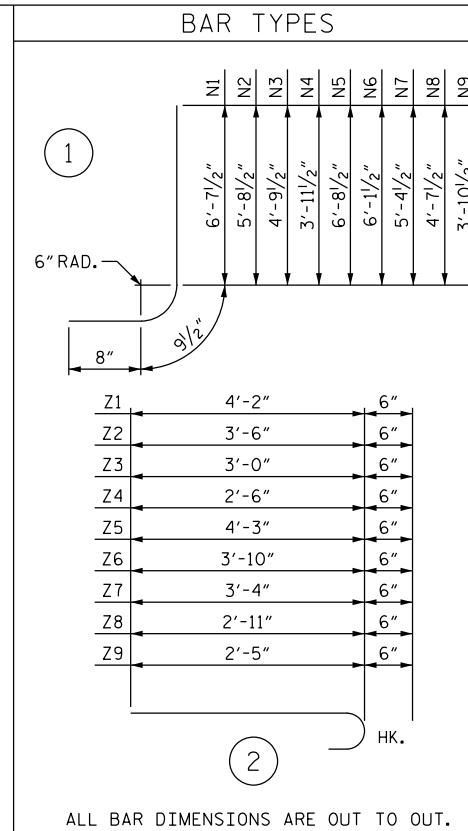
TYPICAL WING SECTION



ELEVATION W2



ELEVATION W1



DETAIL "B"

BILL OF MATERIAL					
BAR	NO.	SIZE	TYPE	LENGTH	WEIGHT
H1	12	#4	STR	6'-11"	55
H2	4	#4	STR	3'-10"	10
H3	4	#4	STR	1'-3"	3
H4	4	#4	STR	7'-7"	20
H5	12	#4	STR	12'-8"	102
H6	4	#4	STR	7'-1"	19
H7	4	#4	STR	2'-2"	6
H8	4	#4	STR	13'-0"	35
N1	4	#4	1	8'-1"	22
N2	6	#4	1	7'-2"	29
N3	4	#4	1	6'-3"	17
N4	4	#4	1	5'-5"	14
N5	6	#4	1	8'-2"	33
N6	6	#4	1	7'-7"	30
N7	6	#4	1	6'-10"	27
N8	6	#4	1	6'-1"	24
N9	6	#4	1	5'-4"	21
S1	12	#6	STR	6'-0"	108
T1	6	#5	STR	7'-9"	48
T2	6	#5	STR	13'-9"	86
V1	4	#4	STR	6'-1"	16
V2	6	#4	STR	5'-1"	20
V3	4	#4	STR	4'-2"	11
V4	4	#4	STR	3'-4"	9
V5	6	#4	STR	6'-2"	25
V6	6	#4	STR	5'-6"	22
V7	6	#4	STR	4'-9"	19
V8	6	#4	STR	4'-0"	16
V9	6	#4	STR	3'-3"	13
Z1	4	#4	2	4'-8"	12
Z2	6	#4	2	4'-0"	16
Z3	4	#4	2	3'-6"	9
Z4	4	#4	2	3'-0"	8
Z5	6	#4	2	4'-9"	19
Z6	6	#4	2	4'-4"	17
Z7	6	#4	2	3'-10"	15
Z8	6	#4	2	3'-5"	14
Z9	6	#4	2	2'-11"	12
REINFORCING STEEL FOR 4 WINGS					982 LBS
CLASS A CONCRETE					
4 WINGS					14.4 CY
2 HEADWALLS					CY
2 END CURTAIN WALLS					CY
TOTAL					CY

ASSEMBLED BY :	DATE :
CHECKED BY :	DATE :
DRAWN BY : CCJ 11/99	REV. 6/19 MAA/THC
CHECKED BY : RWW 03/00	

DOCUMENT NOT CONSIDERED FINAL UNLESS ALL SIGNATURES COMPLETED

REVISIONS						SHEET NO.
NO.	BY:	DATE:	NO.	BY:	DATE:	TOTAL SHEETS
1			3			
2			4			

PROJECT NO. _____ COUNTY _____
 STATION: _____
 SHEET _ OF _
 STATE OF NORTH CAROLINA
 DEPARTMENT OF TRANSPORTATION
 RALEIGH
 STANDARD WINGS
 FOR PRECAST
 CONCRETE BOX CULVERT
 H = 6'-0" SLOPE = 2:1
 60° OR 120° SKEW

