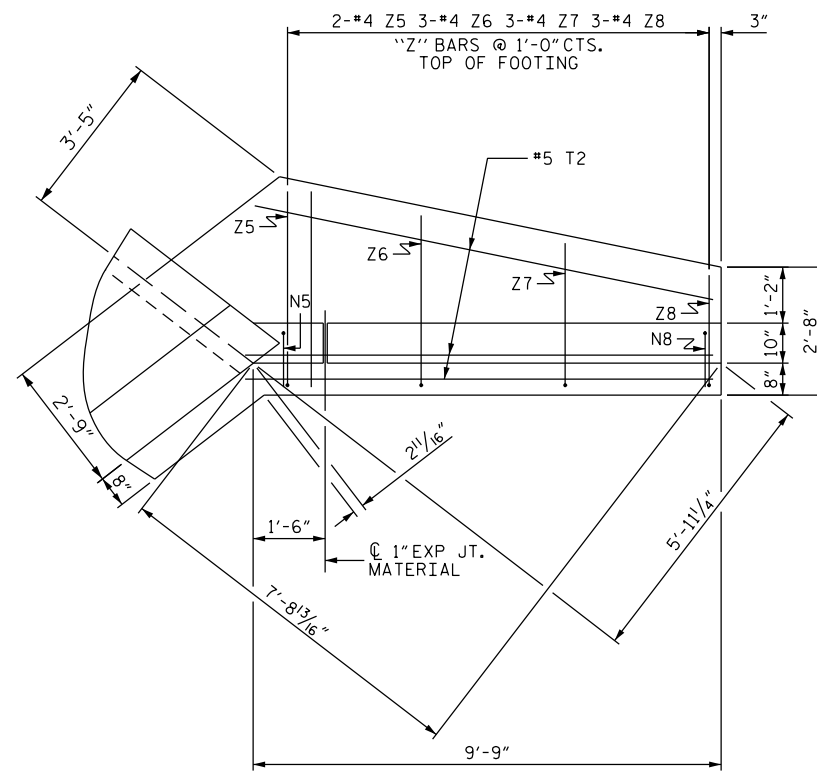
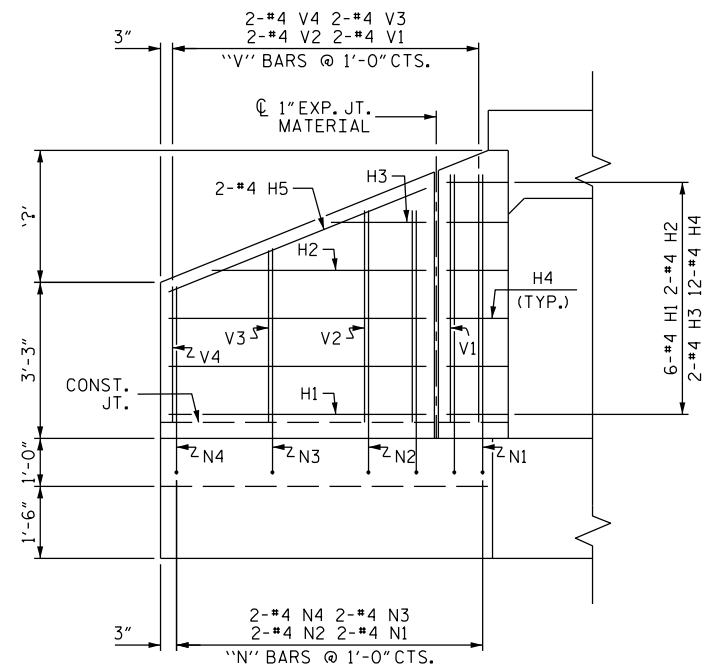


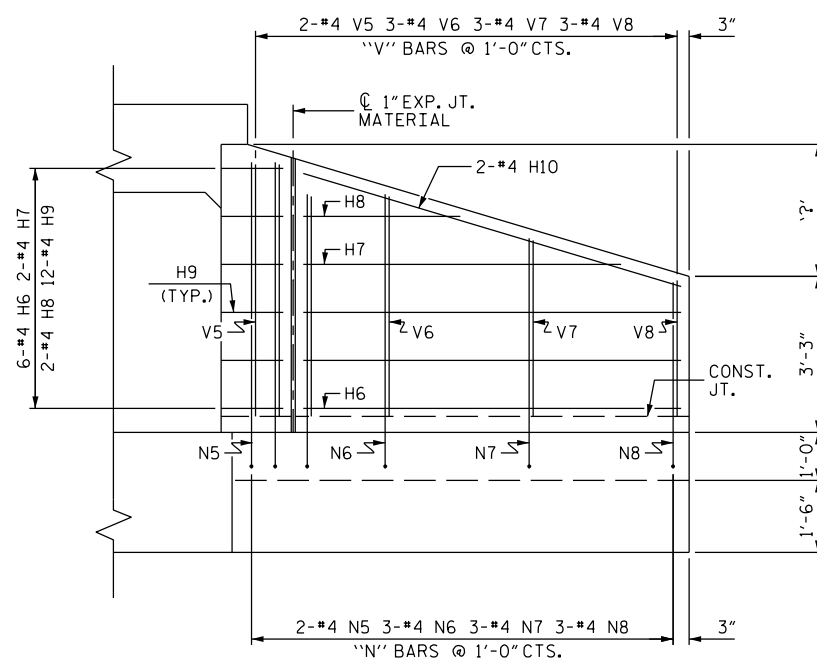
PLAN W2



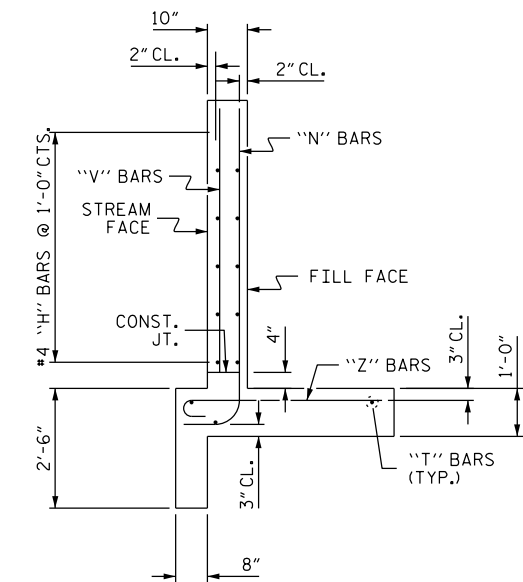
PLAN W1



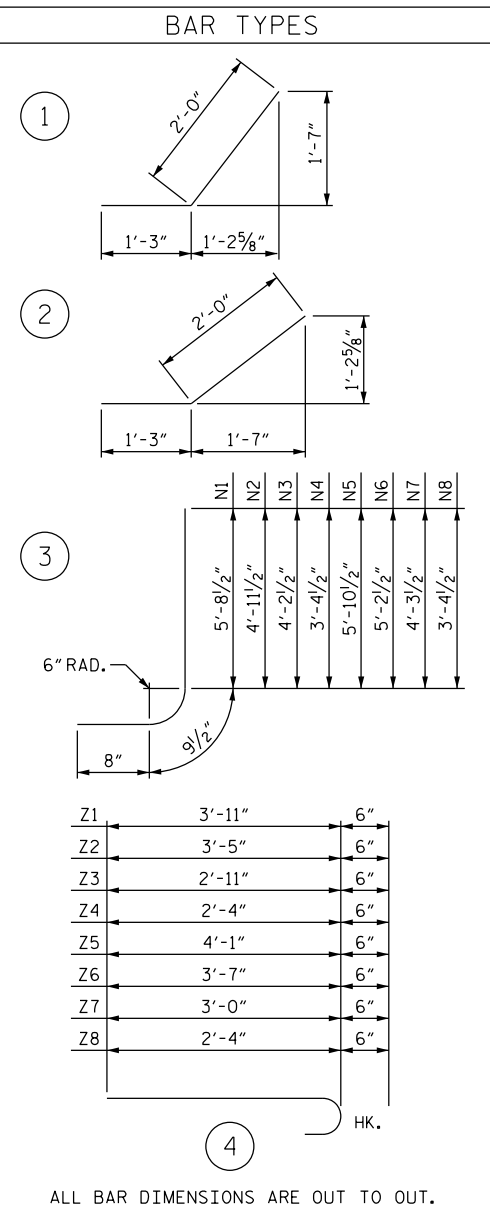
ELEVATION W2



ELEVATION W1



TYPICAL WING SECTION



BILL OF MATERIAL					
BAR	NO.	SIZE	TYPE	LENGTH	WEIGHT
H1	12	#4	STR	5'-4"	43
H2	4	#4	STR	4'-5"	12
H3	4	#4	STR	2'-0"	5
H4	24	#4	1	3'-3"	52
H5	4	#4	STR	5'-9"	15
H6	12	#4	STR	7'-10"	63
H7	4	#4	STR	6'-7"	18
H8	4	#4	STR	3'-3"	9
H9	24	#4	2	3'-3"	52
H10	4	#4	STR	8'-2"	22
N1	4	#4	3	7'-2"	19
N2	4	#4	3	6'-5"	17
N3	4	#4	3	5'-8"	15
N4	4	#4	3	4'-10"	13
N5	4	#4	3	7'-4"	20
N6	6	#4	3	6'-8"	27
N7	6	#4	3	5'-9"	23
N8	6	#4	3	4'-10"	19
T1	6	#5	STR	7'-3"	45
T2	6	#5	STR	9'-9"	61
V1	4	#4	STR	5'-2"	14
V2	4	#4	STR	4'-5"	12
V3	4	#4	STR	3'-7"	10
V4	4	#4	STR	2'-10"	8
V5	4	#4	STR	5'-3"	14
V6	6	#4	STR	4'-7"	18
V7	6	#4	STR	3'-8"	15
V8	6	#4	STR	2'-10"	11
Z1	4	#4	4	4'-5"	12
Z2	4	#4	4	3'-11"	10
Z3	4	#4	4	3'-5"	9
Z4	4	#4	4	2'-10"	8
Z5	4	#4	4	4'-7"	12
Z6	6	#4	4	4'-1"	16
Z7	6	#4	4	3'-6"	14
Z8	6	#4	4	2'-10"	11
REINFORCING STEEL FOR 4 WINGS					744 LBS
CLASS A CONCRETE					
4 WINGS					11.2 CY
2 HEADWALLS					CY
2 END CURTAIN WALLS					CY
TOTAL					CY

PROJECT NO. _____

_____ COUNTY

STATION: _____

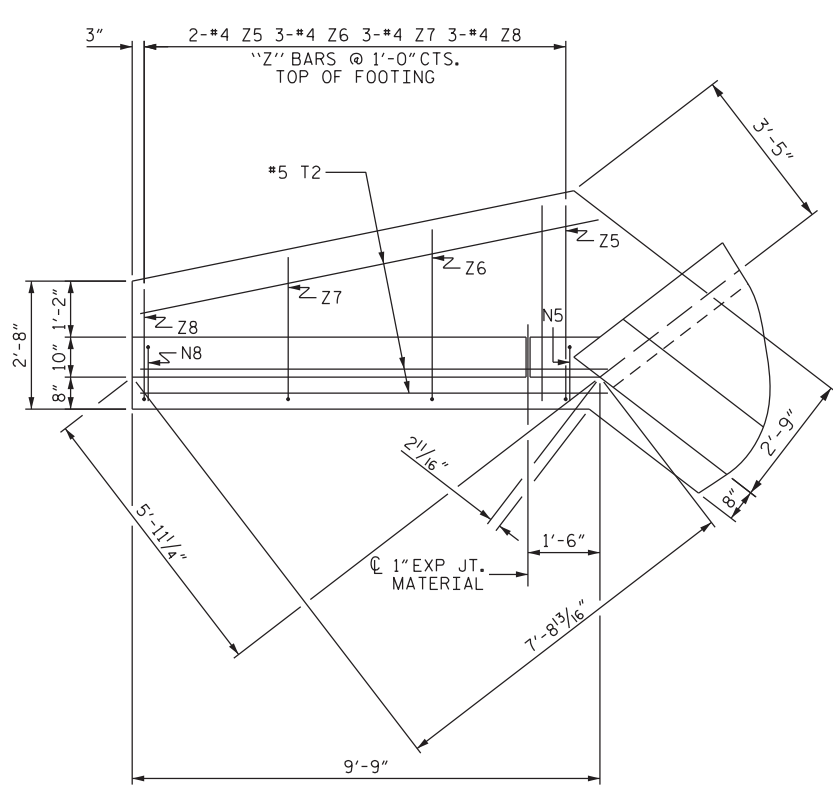
SHEET _ OF _

STATE OF NORTH CAROLINA
DEPARTMENT OF TRANSPORTATION
RALEIGH
STANDARD WINGS
FOR
CONCRETE BOX CULVERT
H = 5'-0" SLOPE = 2:1
75° SKEW

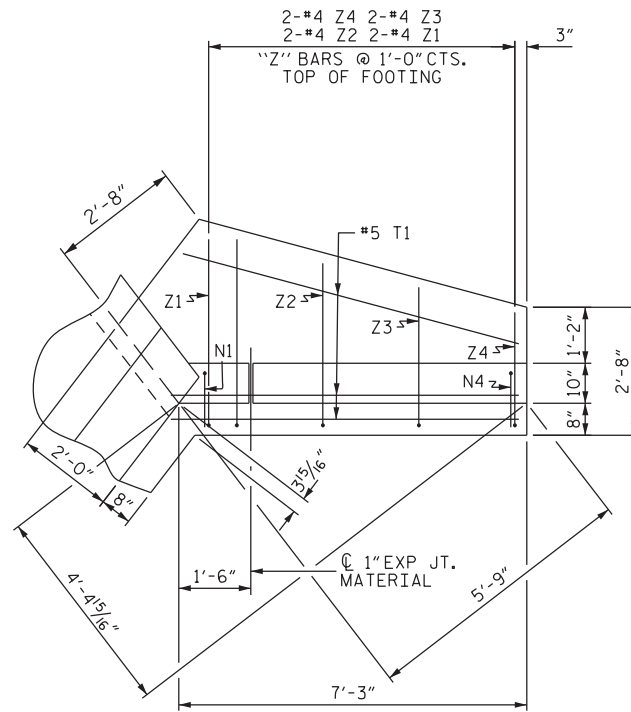
REVISIONS						SHEET NO.
NO.	BY:	DATE:	NO.	BY:	DATE:	TOTAL SHEETS
1			3			
2			4			

DOCUMENT NOT CONSIDERED FINAL UNLESS ALL SIGNATURES COMPLETED

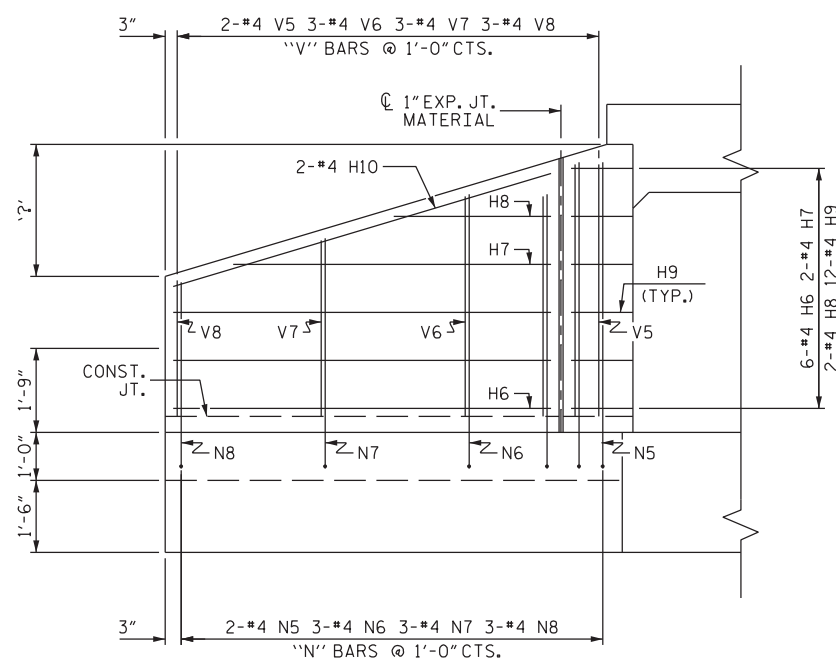
ASSEMBLED BY : -	DATE : -
CHECKED BY : -	DATE : -
DRAWN BY : CCJ 12/99	REV. 6/19 MAA/THC
CHECKED BY : RWW 03/00	



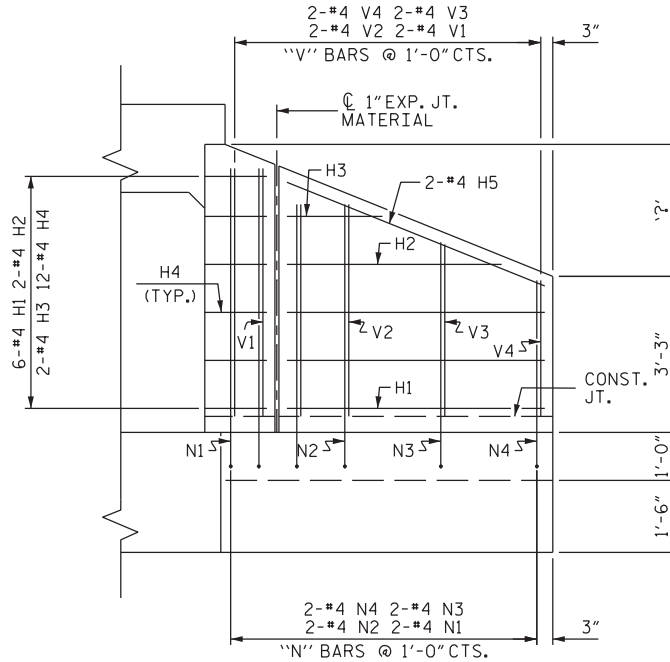
PLAN W1



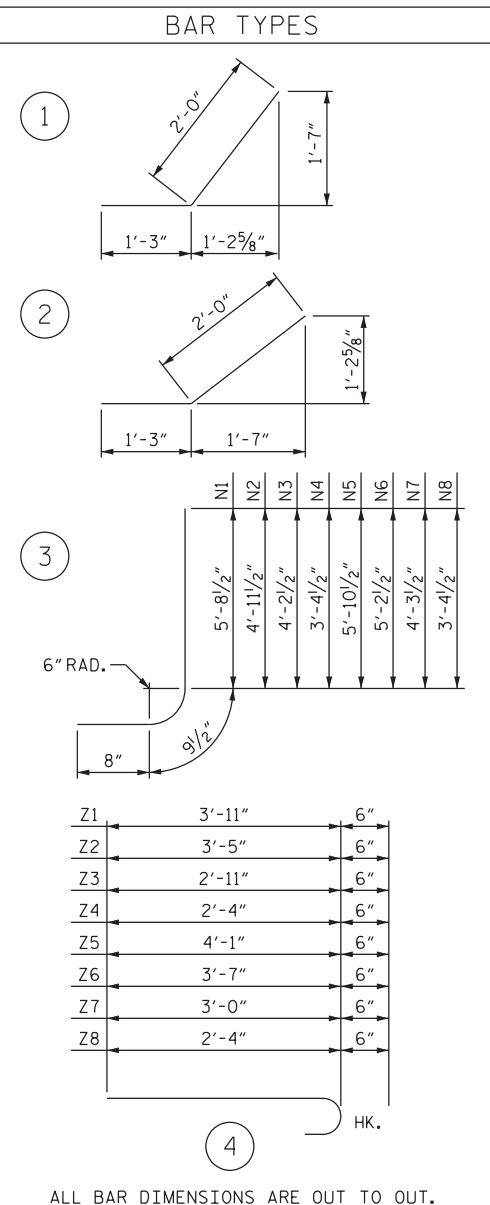
PLAN W2



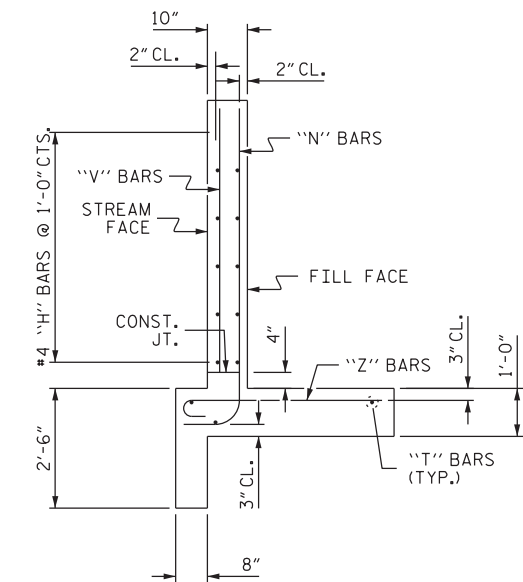
ELEVATION W1



ELEVATION W2



ALL BAR DIMENSIONS ARE OUT TO OUT.



TYPICAL WING SECTION

BILL OF MATERIAL					
BAR	NO.	SIZE	TYPE	LENGTH	WEIGHT
H1	12	#4	STR	5'-4"	43
H2	4	#4	STR	4'-5"	12
H3	4	#4	STR	2'-0"	5
H4	24	#4	1	3'-3"	52
H5	4	#4	STR	5'-9"	15
H6	12	#4	STR	7'-10"	63
H7	4	#4	STR	6'-7"	18
H8	4	#4	STR	3'-3"	9
H9	24	#4	2	3'-3"	52
H10	4	#4	STR	8'-2"	22
N1	4	#4	3	7'-2"	19
N2	4	#4	3	6'-5"	17
N3	4	#4	3	5'-8"	15
N4	4	#4	3	4'-10"	13
N5	4	#4	3	7'-4"	20
N6	6	#4	3	6'-8"	27
N7	6	#4	3	5'-9"	23
N8	6	#4	3	4'-10"	19
T1	6	#5	STR	7'-3"	45
T2	6	#5	STR	9'-9"	61
V1	4	#4	STR	5'-2"	14
V2	4	#4	STR	4'-5"	12
V3	4	#4	STR	3'-7"	10
V4	4	#4	STR	2'-10"	8
V5	4	#4	STR	5'-3"	14
V6	6	#4	STR	4'-7"	18
V7	6	#4	STR	3'-8"	15
V8	6	#4	STR	2'-10"	11
Z1	4	#4	4	4'-5"	12
Z2	4	#4	4	3'-11"	10
Z3	4	#4	4	3'-5"	9
Z4	4	#4	4	2'-10"	8
Z5	4	#4	4	4'-7"	12
Z6	6	#4	4	4'-1"	16
Z7	6	#4	4	3'-6"	14
Z8	6	#4	4	2'-10"	11
REINFORCING STEEL FOR 4 WINGS					744 LBS
CLASS A CONCRETE					
4 WINGS					11.2 CY
2 HEADWALLS					CY
2 END CURTAIN WALLS					CY
TOTAL					CY

PROJECT NO. _____

_____ COUNTY

STATION: _____

SHEET _____ OF _____

STATE OF NORTH CAROLINA
DEPARTMENT OF TRANSPORTATION
RALEIGH

**STANDARD WINGS
FOR
CONCRETE BOX CULVERT**
H = 5'-0" SLOPE = 2:1
105° SKEW

ASSEMBLED BY : -	DATE : -
CHECKED BY : -	DATE : -
DRAWN BY : CCJ 12/99	REV. 6/19 MAA/THC
CHECKED BY : RWW 03/00	

REVISIONS						SHEET NO.
NO.	BY:	DATE:	NO.	BY:	DATE:	TOTAL SHEETS
1			3			
2			4			

DOCUMENT NOT CONSIDERED FINAL UNLESS ALL SIGNATURES COMPLETED