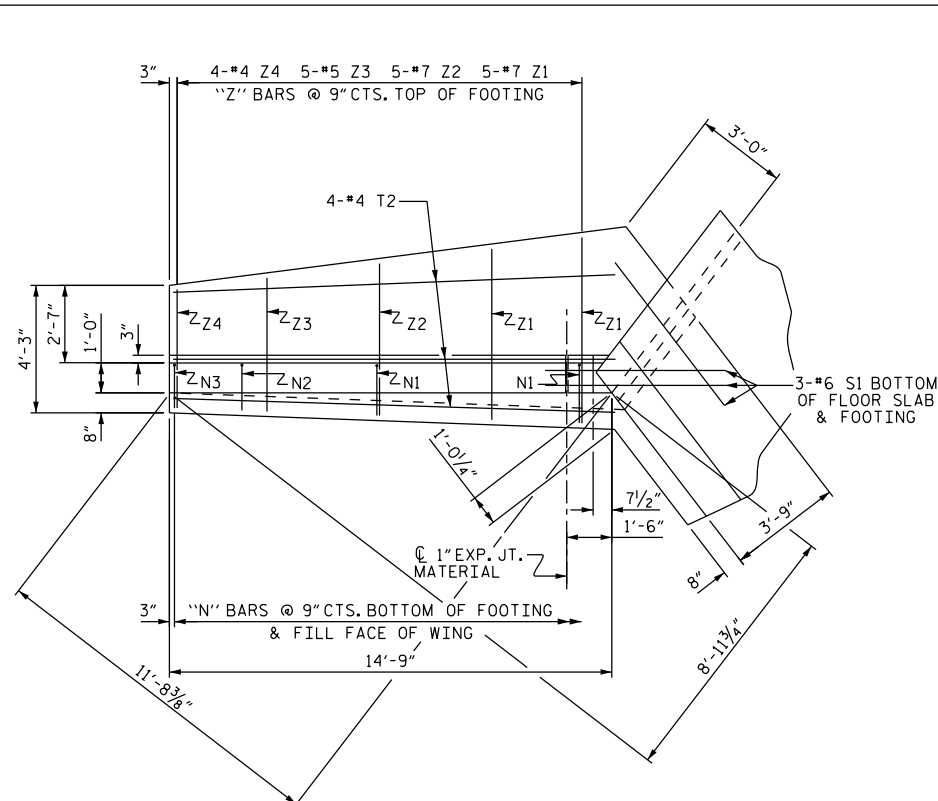
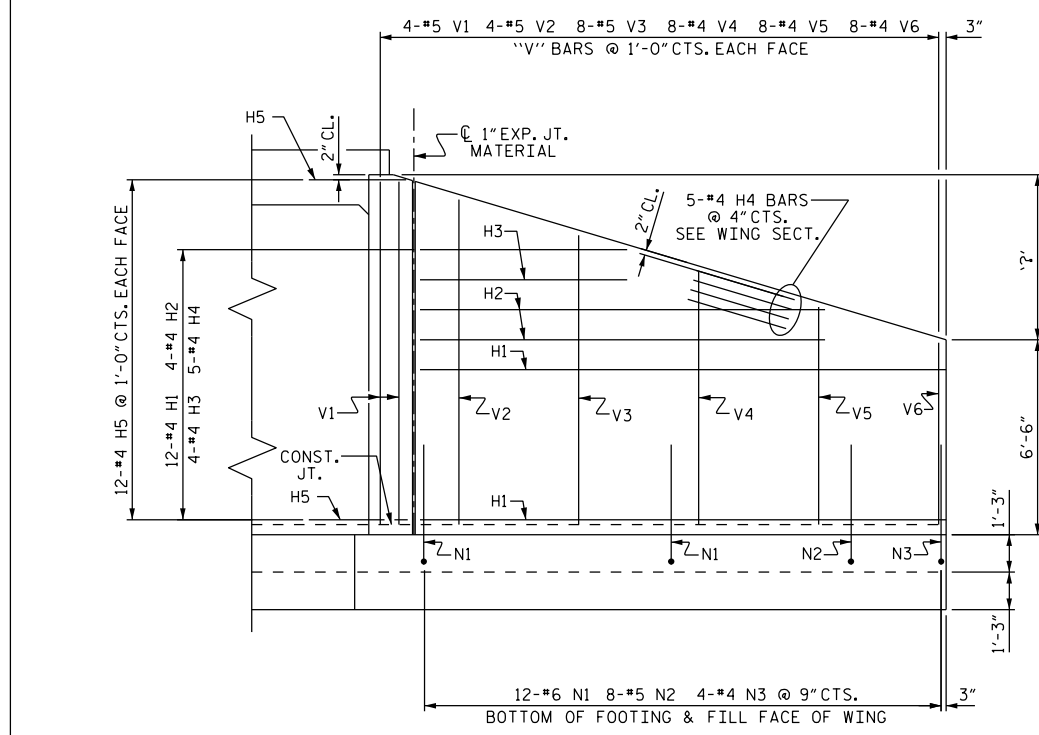


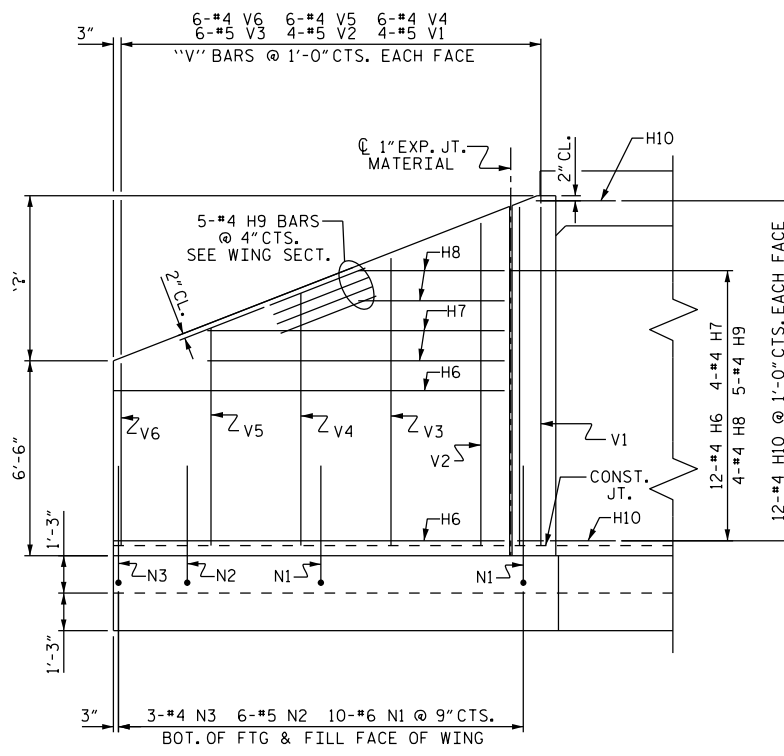
PLAN - W1



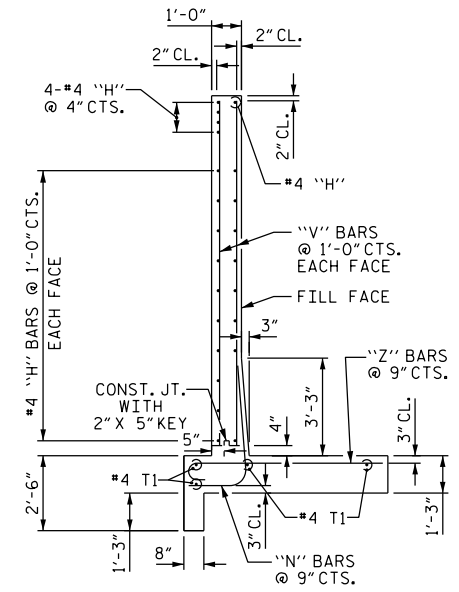
PLAN - W2



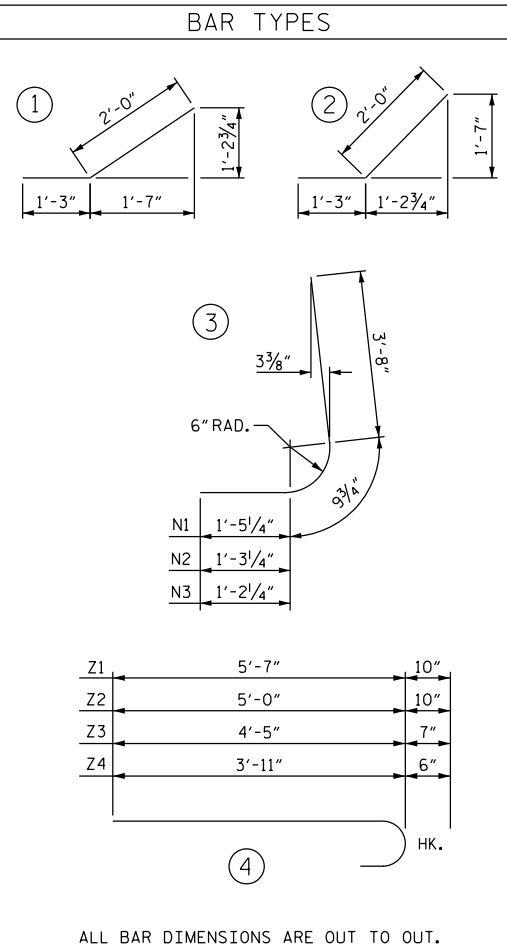
ELEVATION - W1



ELEVATION - W2



TYP. WING SECTION



ALL BAR DIMENSIONS ARE OUT TO OUT.

BILL OF MATERIAL					
BAR	NO.	SIZE	TYPE	LENGTH	WEIGHT
H1	24	4	STR	17'-4"	278
H2	8	4	STR	13'-7"	73
H3	8	4	STR	6'-10"	37
H4	10	4	STR	18'-1"	121
H5	48	4	1	3'-3"	104
H6	24	4	STR	12'-10"	206
H7	8	4	STR	10'-0"	53
H8	8	4	STR	4'-10"	26
H9	10	4	STR	13'-9"	92
H10	48	4	2	3'-3"	104
N1	44	6	3	5'-11"	391
N2	28	5	3	5'-9"	168
N3	14	4	3	5'-8"	53
S1	12	6	STR	6'-0"	108
T1	8	4	STR	19'-3"	103
T2	8	4	STR	14'-9"	79
V1	16	5	STR	11'-3"	188
V2	16	5	STR	10'-9"	179
V3	28	5	STR	9'-7"	280
V4	28	4	STR	8'-5"	157
V5	28	4	STR	7'-3"	136
V6	28	4	STR	6'-0"	112
Z1	22	7	4	6'-5"	289
Z2	22	7	4	5'-10"	262
Z3	24	5	4	5'-0"	125
Z4	18	4	4	4'-5"	53
REINFORCING STEEL FOR 4 WINGS					3,777 LBS
CLASS A CONCRETE					
4 WINGS					45.8 CY
2 HEADWALLS					CY
2 END CURTAIN WALLS					CY
TOTAL					CY

ASSEMBLED BY :	-	DATE :	-
CHECKED BY :	-	DATE :	-
DRAWN BY :	AKP	11/04	REV. 6/19
CHECKED BY :	MKB	12/04	MAA/THC

DOCUMENT NOT CONSIDERED FINAL UNLESS ALL SIGNATURES COMPLETED

PROJECT NO. \_\_\_\_\_ COUNTY \_\_\_\_\_

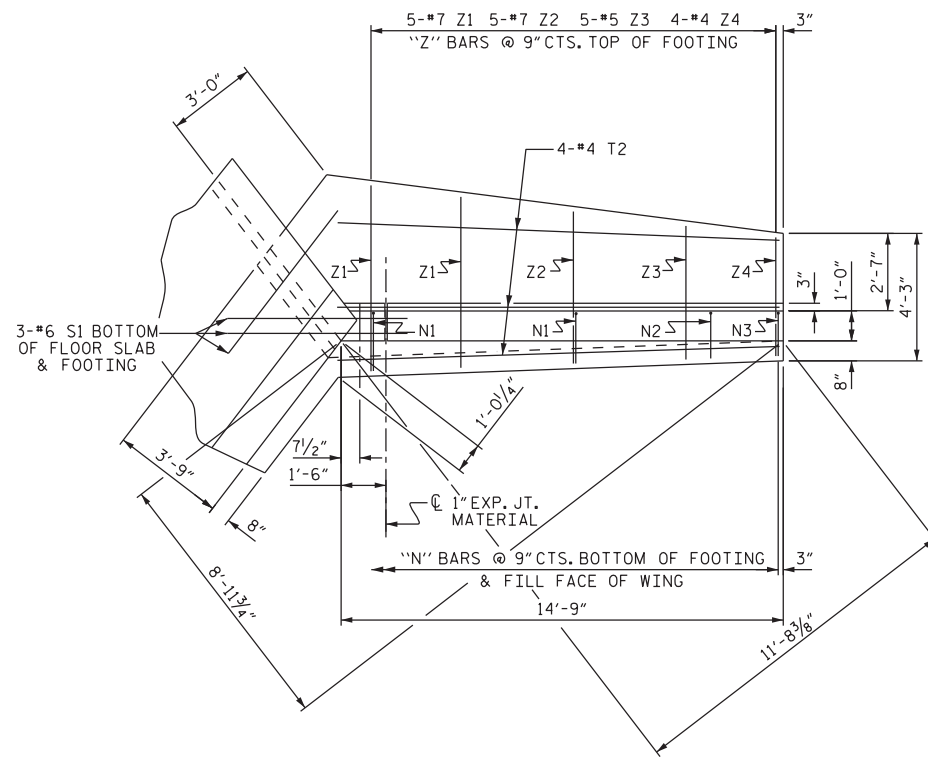
STATION: \_\_\_\_\_

SHEET \_ OF \_

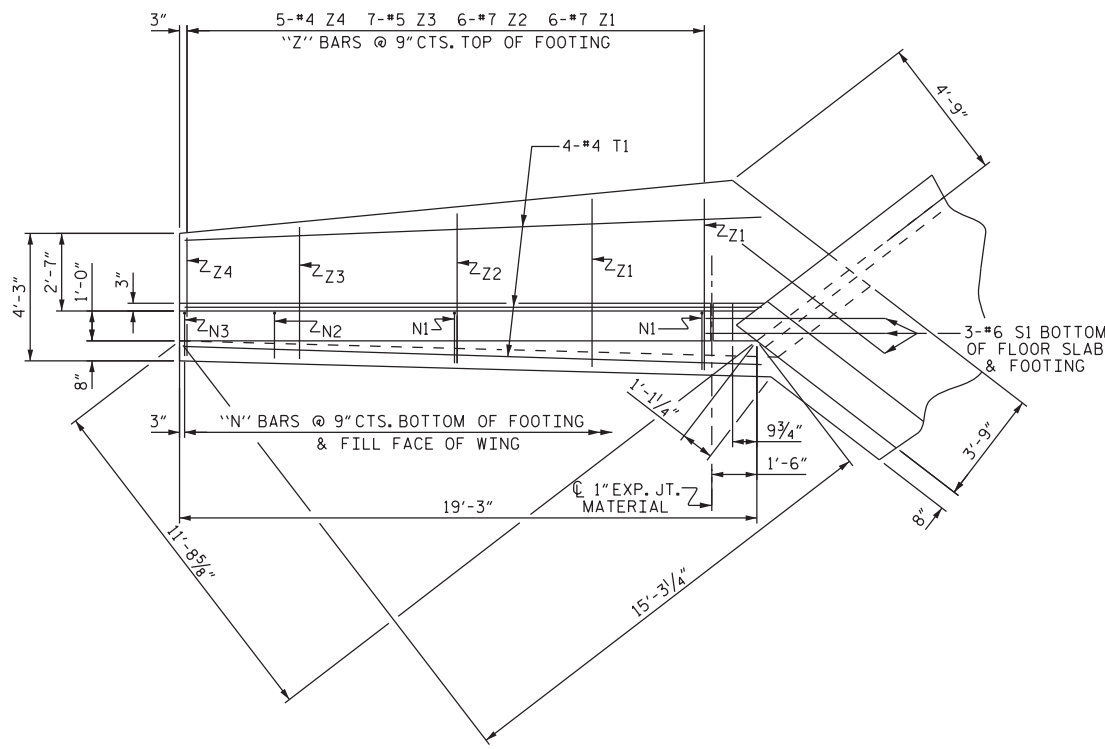
STATE OF NORTH CAROLINA  
DEPARTMENT OF TRANSPORTATION  
RALEIGH

STANDARD WINGS  
FOR  
CONCRETE BOX CULVERT  
H = 11'-0" SLOPE = 2:1  
75° SKEW

REVISIONS						SHEET NO.
NO.	BY:	DATE:	NO.	BY:	DATE:	TOTAL SHEETS
1			3			
2			4			



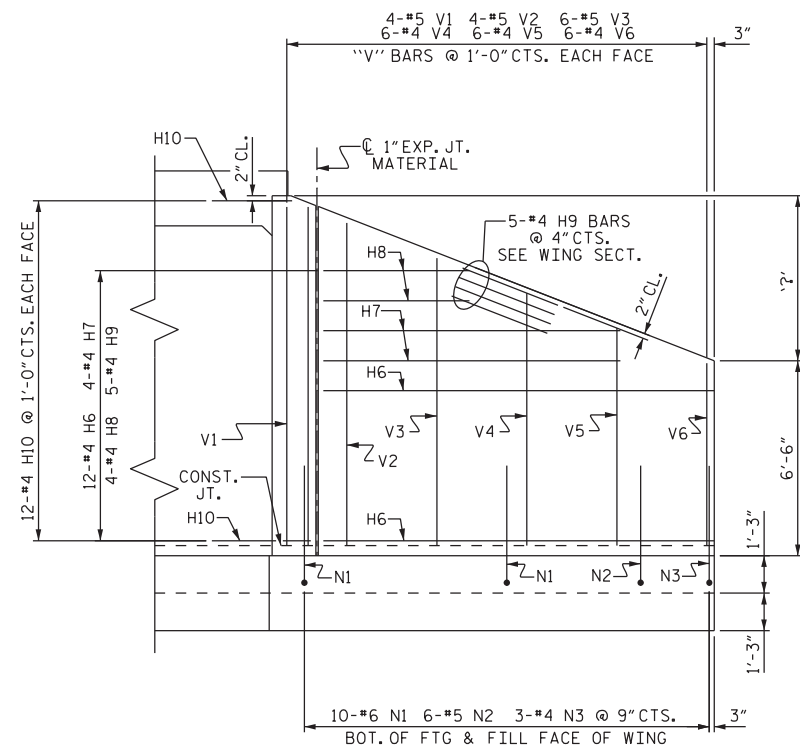
PLAN - W2



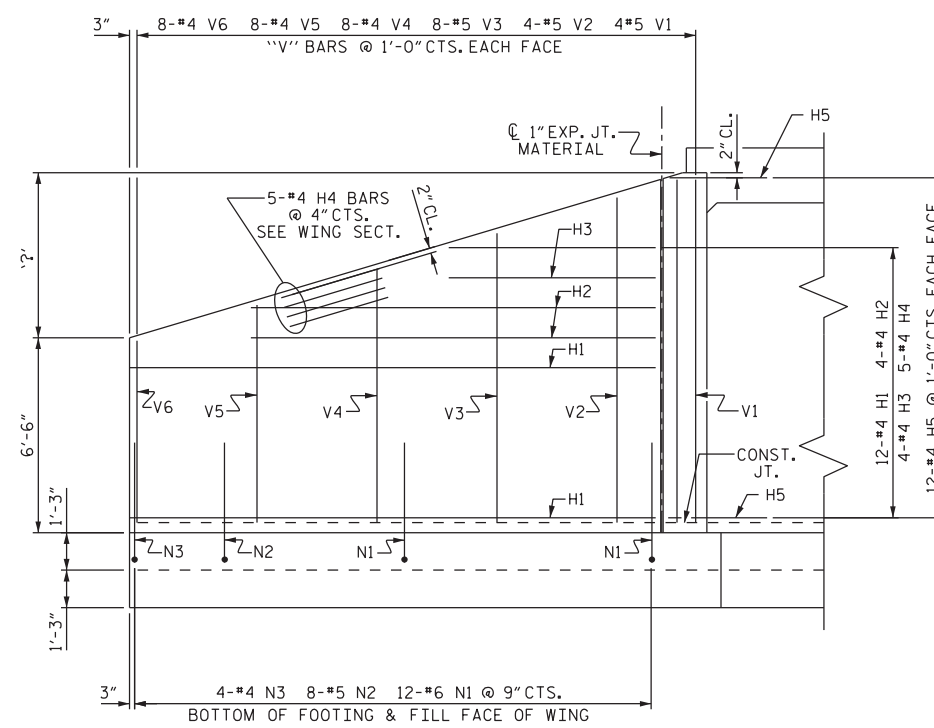
PLAN - W1

BAR TYPES		BILL OF MATERIAL				
BAR NO.	SIZE	TYPE	LENGTH	WEIGHT		
H1	24	4	STR	17'-4"	278	
H2	8	4	STR	13'-7"	73	
H3	8	4	STR	6'-10"	37	
H4	10	4	STR	18'-1"	121	
H5	48	4	1	3'-3"	104	
H6	24	4	STR	12'-10"	206	
H7	8	4	STR	10'-0"	53	
H8	8	4	STR	4'-10"	26	
H9	10	4	STR	13'-9"	92	
H10	48	4	2	3'-3"	104	
N1	44	6	3	5'-11"	391	
N2	28	5	3	5'-9"	168	
N3	14	4	3	5'-8"	53	
S1	12	6	STR	6'-0"	108	
T1	8	4	STR	19'-3"	103	
T2	8	4	STR	14'-9"	79	
V1	16	5	STR	11'-3"	188	
V2	16	5	STR	10'-9"	179	
V3	28	5	STR	9'-7"	280	
V4	28	4	STR	8'-5"	157	
V5	28	4	STR	7'-3"	136	
V6	28	4	STR	6'-0"	112	
Z1	22	7	4	6'-5"	289	
Z2	22	7	4	5'-10"	262	
Z3	24	5	4	5'-0"	125	
Z4	18	4	4	4'-5"	53	
REINFORCING STEEL FOR 4 WINGS				3,777	LBS	
CLASS A CONCRETE				45.8	CY	
4 WINGS					CY	
2 HEADWALLS					CY	
2 END CURTAIN WALLS					CY	
TOTAL					CY	

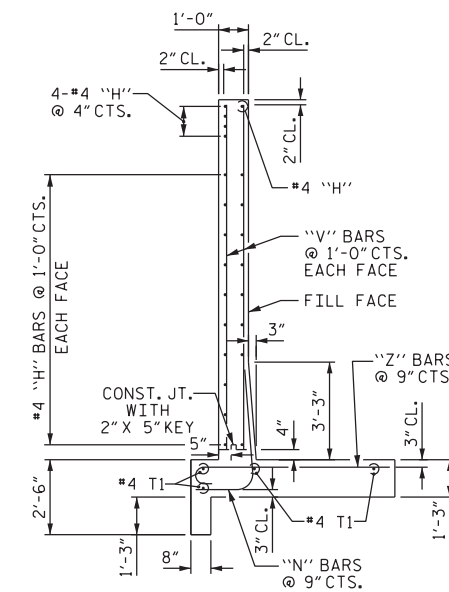
ALL BAR DIMENSIONS ARE OUT TO OUT.



ELEVATION - W2



ELEVATION - W1



TYP. WING SECTION

PROJECT NO. \_\_\_\_\_

\_\_\_\_\_ COUNTY

STATION: \_\_\_\_\_

SHEET \_\_\_\_\_ OF \_\_\_\_\_

STATE OF NORTH CAROLINA  
DEPARTMENT OF TRANSPORTATION  
RALEIGH  
STANDARD WINGS  
FOR  
CONCRETE BOX CULVERT  
H = 11'-0" SLOPE = 2:1  
105° SKEW

DOCUMENT NOT CONSIDERED  
FINAL UNLESS ALL  
SIGNATURES COMPLETED

REVISIONS						SHEET NO.
NO.	BY:	DATE:	NO.	BY:	DATE:	TOTAL SHEETS
1			3			4
2			4			