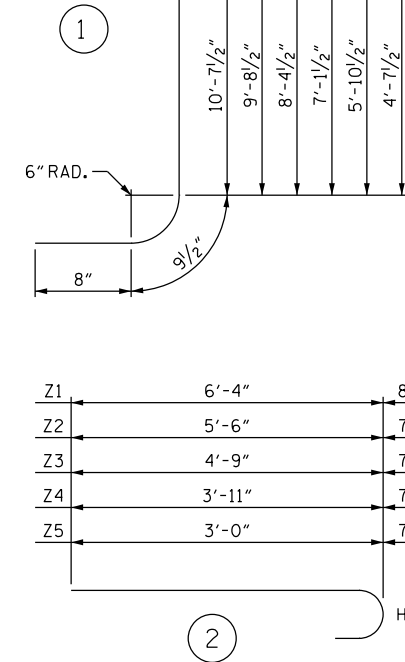
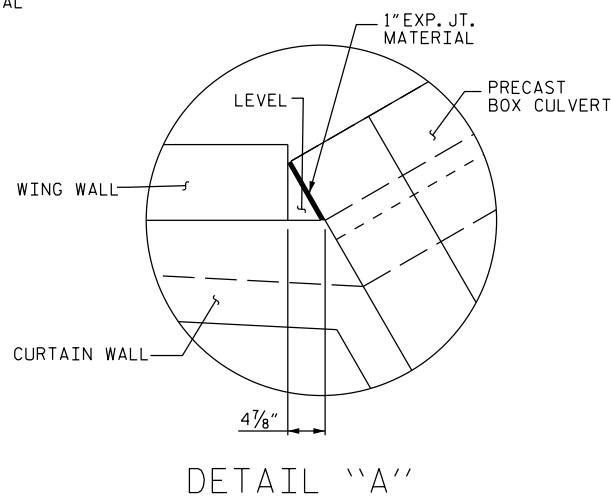
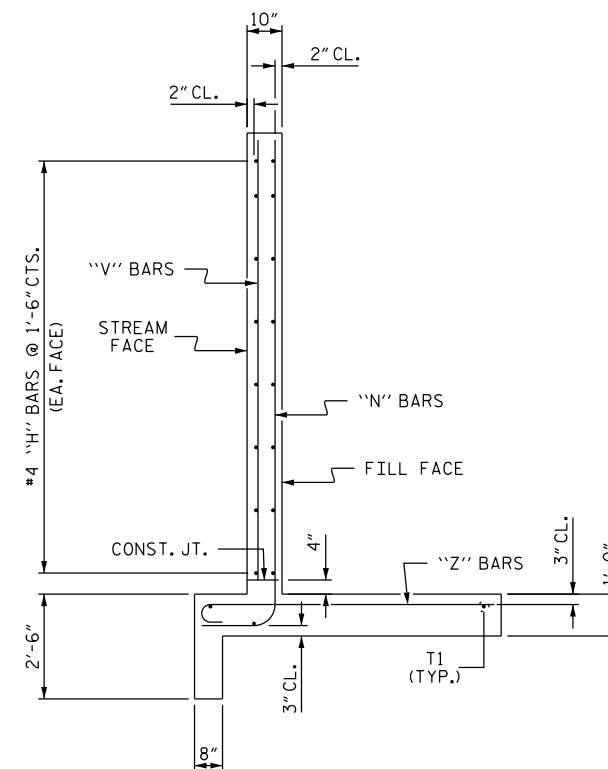
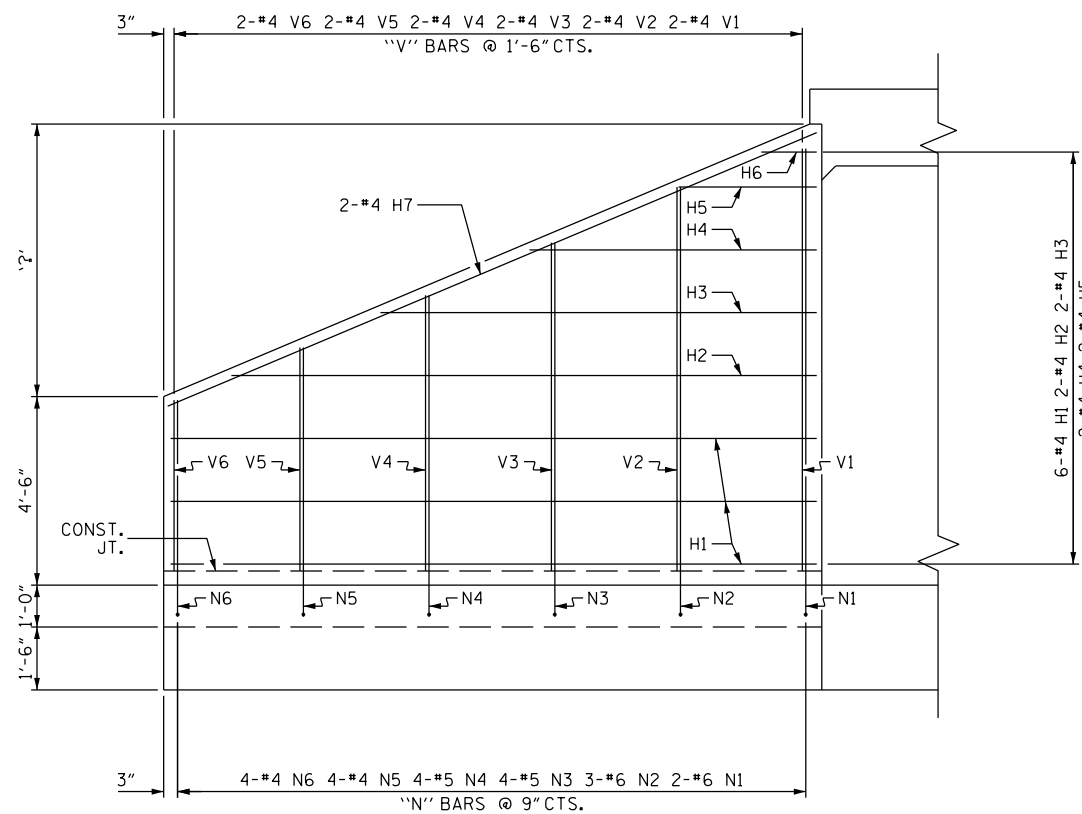


#6 S1 BARS x 6'-0" @ 1'-0" CTS.
DRILL 1/8" Ø x 1'-0" HOLE FOR
DOWELED #6 REBAR CENTERED &
ATTACHED w/ EPOXY GROUT IN
BOTTOM OF SLAB (TYP.)
FIELD BENT INTO WING FOOTING



ALL BAR DIMENSIONS ARE OUT TO OUT.

BILL OF MATERIAL					
BAR	NO.	SIZE	TYPE	LENGTH	WEIGHT
H1	24	#4	STR	15'-0"	240
H2	8	#4	STR	13'-6"	72
H3	8	#4	STR	10'-0"	53
H4	8	#4	STR	6'-5"	34
H5	8	#4	STR	2'-10"	15
H6	8	#4	STR	1'-3"	7
H7	8	#4	STR	16'-3"	87
N1	8	#6	1	12'-1"	145
N2	12	#6	1	11'-2"	201
N3	16	#5	1	9'-10"	164
N4	16	#5	1	8'-7"	143
N5	16	#4	1	7'-4"	78
N6	16	#4	1	6'-1"	65
S1	12	#6	STR	6'-0"	108
T1	12	#5	STR	15'-9"	197
V1	8	#4	STR	10'-1"	54
V2	8	#4	STR	9'-2"	49
V3	8	#4	STR	7'-10"	42
V4	8	#4	STR	6'-7"	35
V5	8	#4	STR	5'-4"	29
V6	8	#4	STR	4'-1"	22
Z1	16	#6	2	7'-0"	168
Z2	16	#5	2	6'-1"	102
Z3	16	#5	2	5'-4"	89
Z4	16	#5	2	4'-6"	75
Z5	20	#5	2	3'-7"	75
REINFORCING STEEL FOR 4 WINGS					2349 LBS
CLASS A CONCRETE 4 WINGS					31.2 CY
2 HEADWALLS					CY
END CURTAIN WALLS					CY
TOTAL					CY



PROJECT NO. _____
_____ COUNTY
STATION: _____
SHEET _ OF _

STATE OF NORTH CAROLINA DEPARTMENT OF TRANSPORTATION RALEIGH					
STANDARD WINGS FOR PRECAST CONCRETE BOX CULVERT H = 10'-0" SLOPE = 2:1 90° SKEW					
REVISIONS					SHEET NO.
NO.	BY:	DATE:	NO.	BY:	DATE:
1			3		
2			4		
DOCUMENT NOT CONSIDERED FINAL UNLESS ALL SIGNATURES COMPLETED					TOTAL SHEETS

ASSEMBLED BY : - DATE : -
CHECKED BY : - DATE : -
DRAWN BY : CCJ 10/99 REV. 6/19 MAA/THC
CHECKED BY : RWW 03/00

DOCUMENT NOT CONSIDERED FINAL UNLESS ALL SIGNATURES COMPLETED

STD. NO. CW9010-PC

