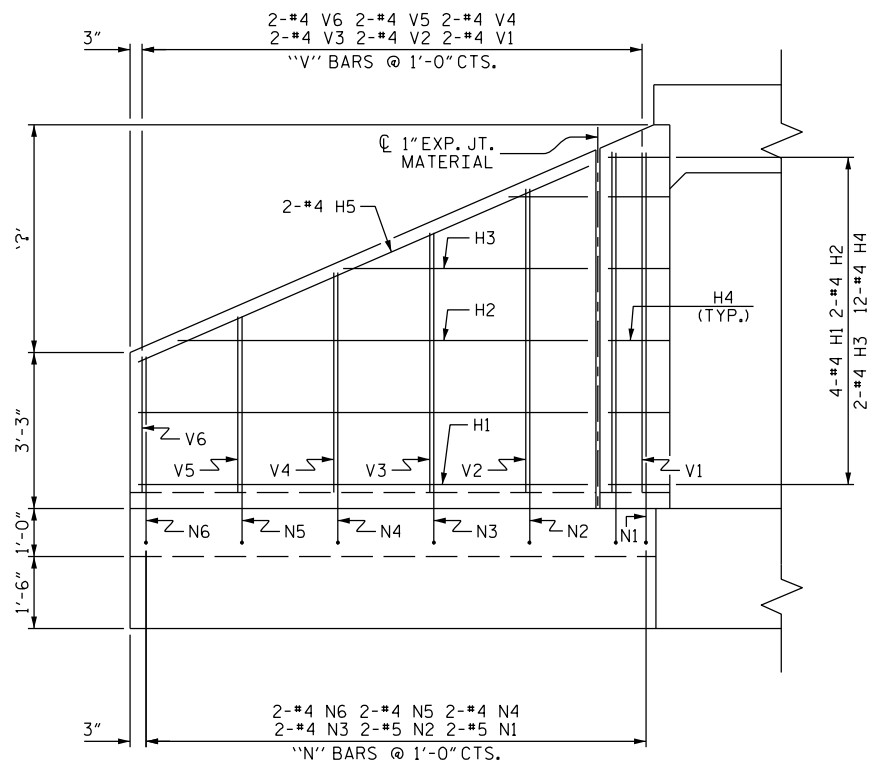
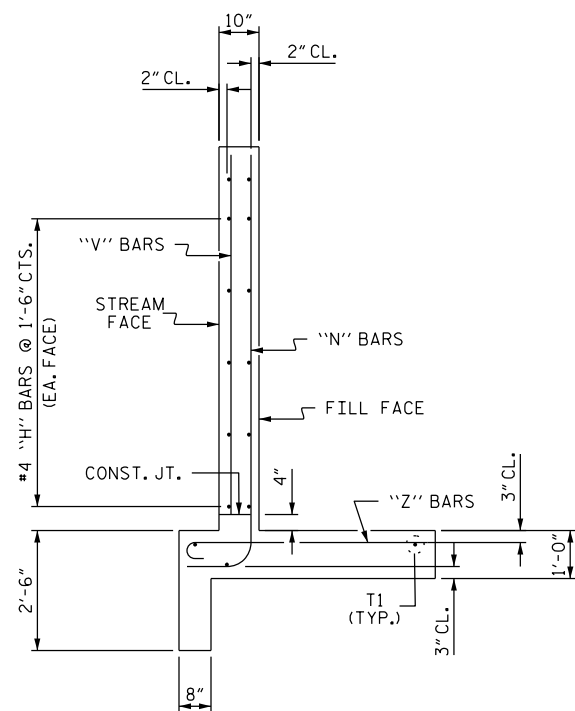


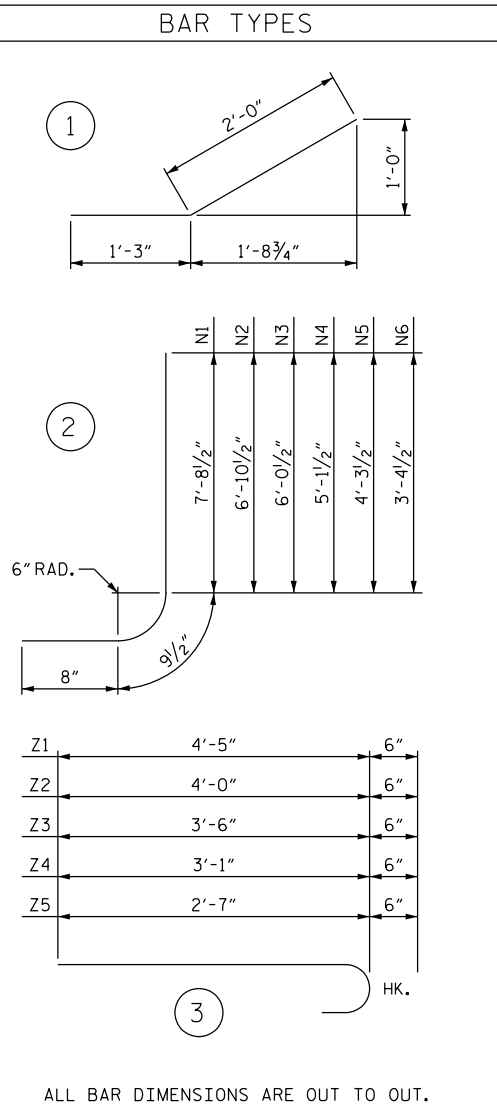
PLAN



ELEVATION



TYPICAL WING SECTION



BILL OF MATERIAL					
BAR NO.	SIZE	TYPE	LENGTH	WEIGHT	
H1	#4	STR	9'-4"	100	
H2	#4	STR	8'-6"	45	
H3	#4	STR	5'-1"	27	
H4	#4	1	3'-3"	104	
H5	#4	STR	10'-3"	55	
N1	#5	2	9'-2"	76	
N2	#5	2	8'-4"	70	
N3	#4	2	7'-6"	40	
N4	#4	2	6'-7"	35	
N5	#4	2	5'-9"	31	
N6	#4	2	4'-10"	26	
S1	#6	STR	6'-0"	108	
T1	#5	STR	11'-3"	141	
V1	#4	STR	7'-1"	38	
V2	#4	STR	6'-4"	34	
V3	#4	STR	5'-5"	29	
V4	#4	STR	4'-7"	24	
V5	#4	STR	3'-8"	20	
V6	#4	STR	2'-10"	15	
Z1	#4	3	4'-11"	53	
Z2	#4	3	4'-6"	24	
Z3	#4	3	4'-0"	21	
Z4	#4	3	3'-7"	19	
Z5	#4	3	3'-1"	16	

TOTAL REINFORCING STEEL FOR 4 WINGS 1151 LBS

CLASS A CONCRETE
 4 WINGS 17.1 CY
 2 HEADWALLS CY
 2 END CURTAIN WALLS CY
 TOTAL CY

PROJECT NO. _____
 _____ COUNTY
 STATION: _____
 SHEET _ OF _

STATE OF NORTH CAROLINA
 DEPARTMENT OF TRANSPORTATION
 RALEIGH
 STANDARD WINGS
 FOR
 CONCRETE BOX CULVERT
 H = 7'-0" SLOPE = 2:1
 90° SKEW

REVISIONS						SHEET NO.
NO.	BY:	DATE:	NO.	BY:	DATE:	TOTAL SHEETS
1			3			
2			4			

DOCUMENT NOT CONSIDERED FINAL UNLESS ALL SIGNATURES COMPLETED

ASSEMBLED BY : -	DATE : -
CHECKED BY : -	DATE : -
DRAWN BY : CCJ 10/99	REV. 6/19 MAA/THC
CHECKED BY : RWJ 03/00	