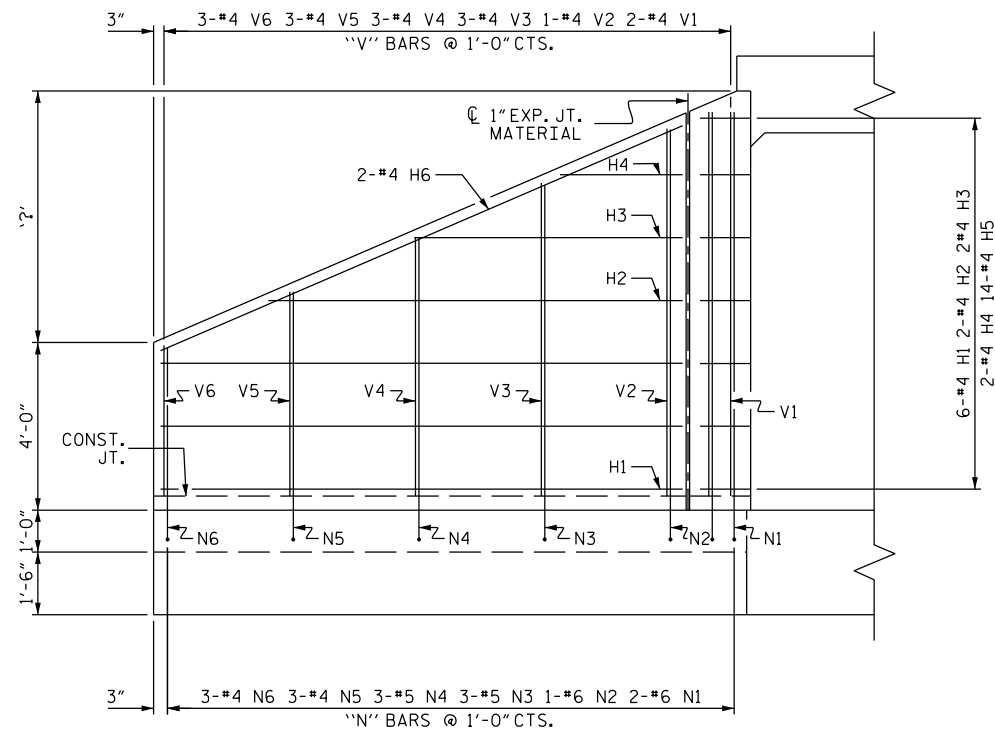
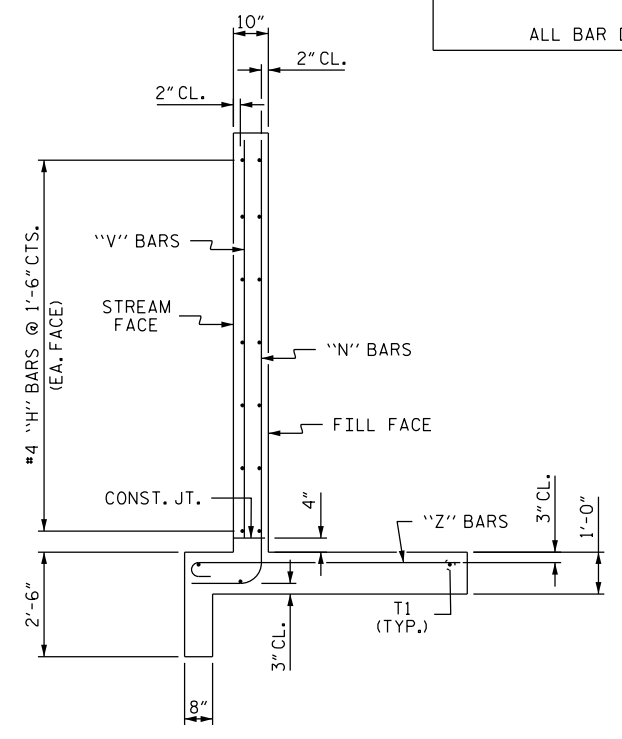


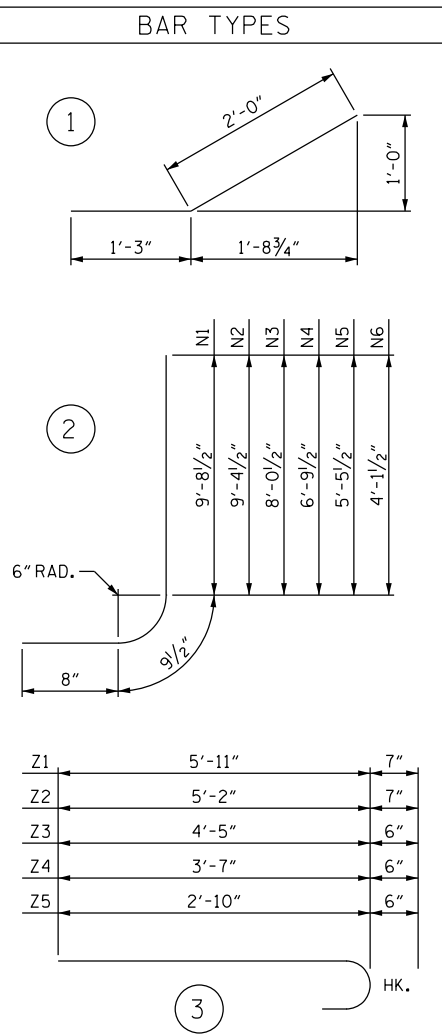
PLAN



ELEVATION



TYPICAL WING SECTION



ALL BAR DIMENSIONS ARE OUT TO OUT.

BILL OF MATERIAL					
BAR	NO.	SIZE	TYPE	LENGTH	WEIGHT
H1	24	#4	STR	12'-5"	199
H2	8	#4	STR	9'-10"	53
H3	8	#4	STR	6'-5"	34
H4	8	#4	STR	2'-11"	16
H5	56	#4	1	3'-3"	122
H6	8	#4	STR	13'-6"	72
N1	8	#6	2	11'-2"	134
N2	4	#6	2	10'-10"	65
N3	12	#5	2	9'-6"	119
N4	12	#5	2	8'-3"	103
N5	12	#4	2	6'-11"	55
N6	12	#4	2	5'-7"	45
S1	12	#6	STR	6'-0"	108
T1	12	#5	STR	14'-3"	178
V1	8	#4	STR	9'-2"	49
V2	4	#4	STR	8'-9"	23
V3	12	#4	STR	7'-5"	59
V4	12	#4	STR	6'-2"	49
V5	12	#4	STR	4'-10"	39
V6	12	#4	STR	3'-7"	29
Z1	12	#5	3	6'-6"	81
Z2	12	#5	3	5'-9"	72
Z3	12	#4	3	4'-11"	39
Z4	12	#4	3	4'-1"	33
Z5	12	#4	3	3'-4"	27
REINFORCING STEEL FOR 4 WINGS					1803 LBS
CLASS A CONCRETE					
4 WINGS					26.2 CY
2 HEADWALLS					CY
2 END CURTAIN WALLS					CY
TOTAL					CY

PROJECT NO. \_\_\_\_\_  
 \_\_\_\_\_ COUNTY  
 STATION: \_\_\_\_\_  
 SHEET \_ OF \_

STATE OF NORTH CAROLINA  
 DEPARTMENT OF TRANSPORTATION  
 RALEIGH  
 STANDARD WINGS  
 FOR  
 CONCRETE BOX CULVERT  
 H = 9'-0" SLOPE = 2:1  
 90° SKEW

ASSEMBLED BY : -	DATE : -
CHECKED BY : -	DATE : -
DRAWN BY : CCJ 10/99	REV. 6/19 MAA/THC
CHECKED BY : RWW 03/00	

REVISIONS						SHEET NO.
NO.	BY:	DATE:	NO.	BY:	DATE:	TOTAL SHEETS
1			3			
2			4			

DOCUMENT NOT CONSIDERED FINAL UNLESS ALL SIGNATURES COMPLETED