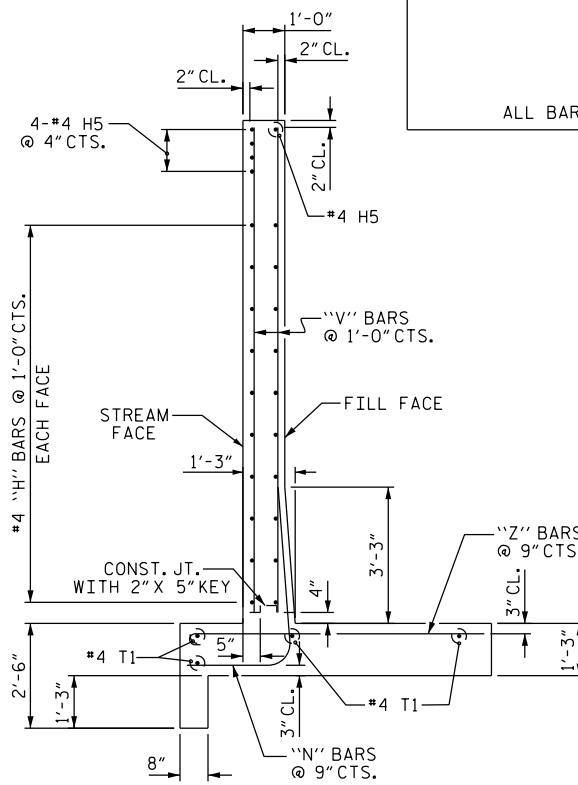
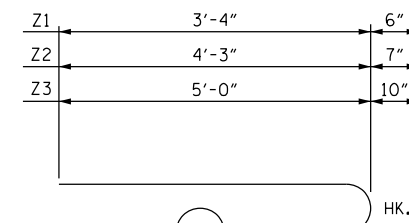
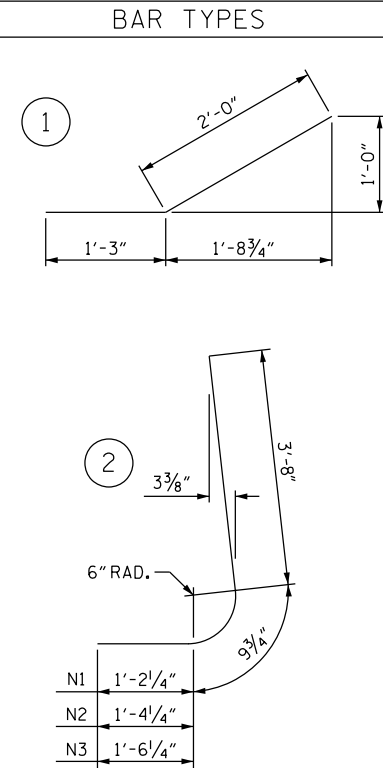


ELEVATION



TYPICAL WING SECTION



ALL BAR DIMENSIONS ARE OUT TO OUT.

| BILL OF MATERIAL | | | | | |
|------------------|-----|------|------|---------|--------|
| BAR | NO. | SIZE | TYPE | LENGTH | WEIGHT |
| H1 | 40 | #4 | STR | 15'-1" | 403 |
| H2 | 16 | #4 | STR | 10'-11" | 117 |
| H3 | 16 | #4 | STR | 6'-5" | 69 |
| H4 | 20 | #4 | STR | 16'-6" | 220 |
| H5 | 100 | #4 | 1 | 3'-3" | 217 |
| N1 | 28 | #4 | 2 | 5'-8" | 106 |
| N2 | 24 | #5 | 2 | 5'-10" | 146 |
| N3 | 36 | #6 | 2 | 6'-0" | 324 |
| S1 | 12 | #6 | STR | 6'-0" | 108 |
| T1 | 16 | #4 | STR | 17'-0" | 182 |
| V1 | 24 | #4 | STR | 4'-4" | 69 |
| V2 | 24 | #4 | STR | 5'-8" | 91 |
| V3 | 24 | #4 | STR | 7'-0" | 112 |
| V4 | 24 | #5 | STR | 8'-4" | 209 |
| V5 | 24 | #5 | STR | 9'-8" | 242 |
| V6 | 24 | #5 | STR | 11'-0" | 275 |
| Z1 | 28 | #4 | 3 | 3'-10" | 72 |
| Z2 | 24 | #5 | 3 | 4'-10" | 121 |
| Z3 | 36 | #7 | 3 | 5'-10" | 429 |

| | |
|-------------------------------|----------|
| REINFORCING STEEL FOR 4 WINGS | 3512 LBS |
| CLASS A CONCRETE | |
| 4 WINGS | 41.8 CY |
| 2 HEADWALLS | CY |
| 2 END CURTAIN WALLS | CY |
| TOTAL | CY |

| | | | |
|----------------|-----------|-----------|---------|
| ASSEMBLED BY : | - | DATE : | - |
| CHECKED BY : | - | DATE : | - |
| DRAWN BY : | AKP 11/04 | REV. 6/19 | MAA/THC |
| CHECKED BY : | MKB 12/04 | | |

DOCUMENT NOT CONSIDERED FINAL UNLESS ALL SIGNATURES COMPLETED

PROJECT NO. _____ COUNTY _____
 STATION: _____
 SHEET _ OF _
 STATE OF NORTH CAROLINA
 DEPARTMENT OF TRANSPORTATION
 RALEIGH
 STANDARD WINGS
 FOR
 CONCRETE BOX CULVERT
 H = 11'-0" SLOPE = 2:1
 90° SKEW

| REVISIONS | | | | | | SHEET NO. |
|-----------|-----|-------|-----|-----|-------|--------------|
| NO. | BY: | DATE: | NO. | BY: | DATE: | TOTAL SHEETS |
| 1 | | | 3 | | | |
| 2 | | | 4 | | | |

STD. NO. CW9011