

NOTES

APPROACH SLAB SHALL NOT BE CONSTRUCTED PRIOR TO COMPLETION OF THE BRIDGE DECK.

FOR REINFORCED BRIDGE APPROACH FILL INCLUDING GEOTEXTILE, IMPERMEABLE GEOMEMBRANE, 4" Ø DRAINAGE PIPE, #78M STONE, AND SELECT MATERIAL, SEE ROADWAY PLANS.

AREA BETWEEN THE WINGWALL AND APPROACH SLAB SHALL BE GRADED TO DRAIN THE WATER AWAY FROM THE FILL FACE OF THE BRIDGE AND SHALL BE PAVED. SEE ROADWAY PLANS.

THE JOINT SHALL BE SAWED PRIOR TO THE CASTING OF THE BARRIER RAIL, OR PARAPET AND END POST.

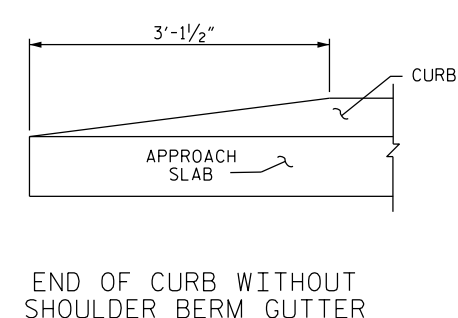
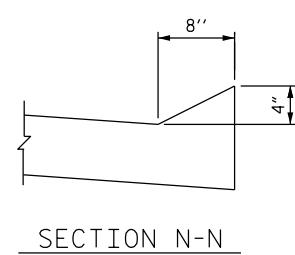
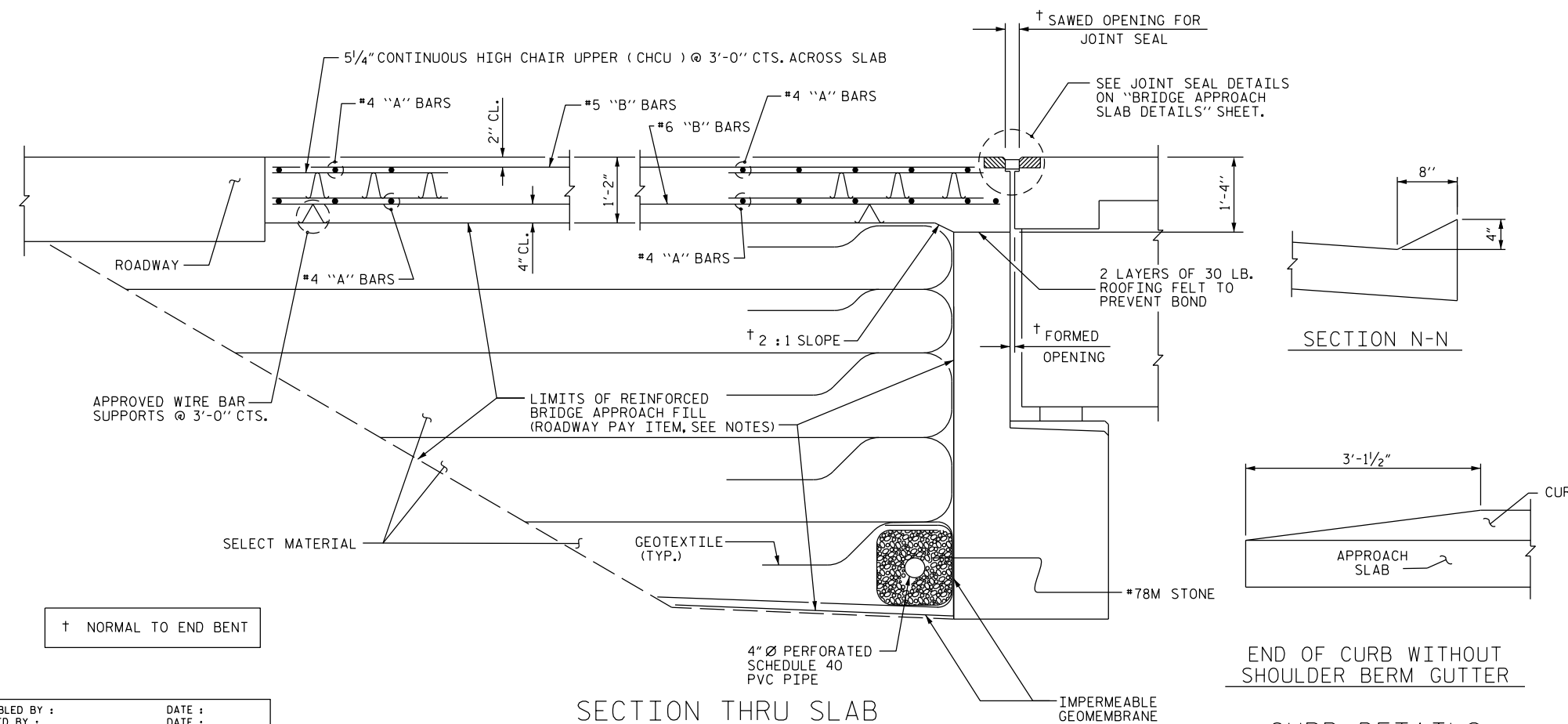
WITH FOAM JOINT SEAL

FOR FOAM JOINT SEALS, SEE SPECIAL PROVISIONS.

THE NOMINAL UNCOMPRESSED SEAL WIDTH OF THE FOAM JOINT SEAL SHALL BE ---".

FOR ELASTOMERIC CONCRETE, SEE SPECIAL PROVISIONS.

BILL OF MATERIAL					
APPROACH SLAB AT EB #1					
BAR	NO.	SIZE	TYPE	LENGTH	WEIGHT
*A		#4	STR		
A		#4	STR		
*B		#5	STR		
B		#6	STR		
REINFORCING STEEL				LBS.	
*EPOXY COATED REINFORCING STEEL				LBS.	
CLASS AA CONCRETE				C. Y.	
APPROACH SLAB AT EB #2					
BAR	NO.	SIZE	TYPE	LENGTH	WEIGHT
*A		#4	STR		
A		#4	STR		
*B		#5	STR		
B		#6	STR		
REINFORCING STEEL				LBS.	
*EPOXY COATED REINFORCING STEEL				LBS.	
CLASS AA CONCRETE				C. Y.	



PROJECT NO. \_\_\_\_\_

\_\_\_\_\_ COUNTY

STATION: \_\_\_\_\_

SHEET 1 OF 2

STATE OF NORTH CAROLINA  
DEPARTMENT OF TRANSPORTATION  
RALEIGH  
STANDARD  
BRIDGE APPROACH SLAB  
FOR RIGID PAVEMENT

REVISIONS						SHEET NO.
NO.	BY:	DATE:	NO.	BY:	DATE:	TOTAL SHEETS
1			3			
2			4			

DOCUMENT NOT CONSIDERED FINAL UNLESS ALL SIGNATURES COMPLETED

STD. NO. BAS1

ASSEMBLED BY :	DATE :	
CHECKED BY :	DATE :	
DRAWN BY : RH 5/99	REV. 10/1/11	MAA/GM
CHECKED BY : RDR 5/99	REV. 12/21/11	MAA/GM
	REV. 6/13	MAA/GM

SECTION THRU SLAB

CURB DETAILS

† NORMAL TO END BENT