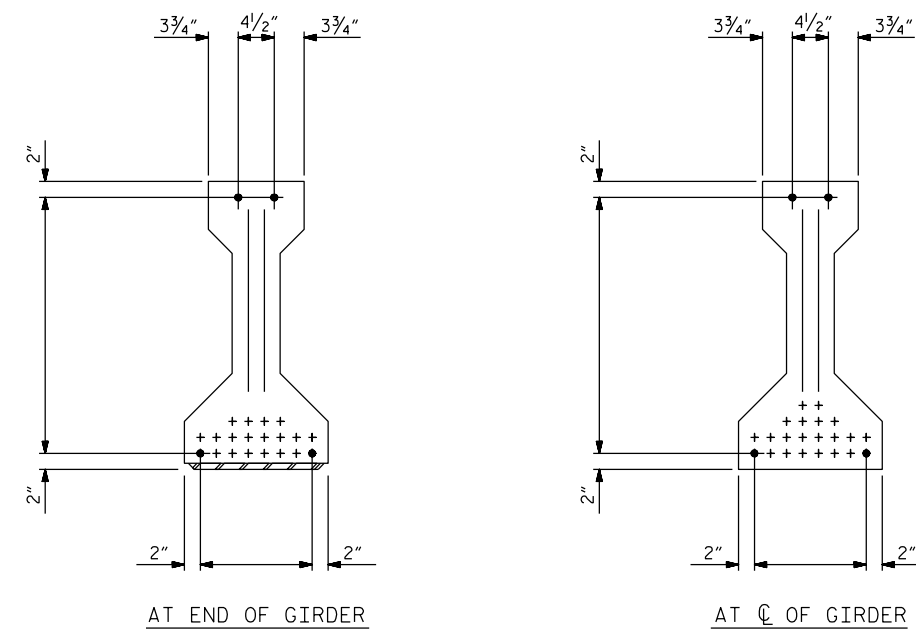


SECTION A-A

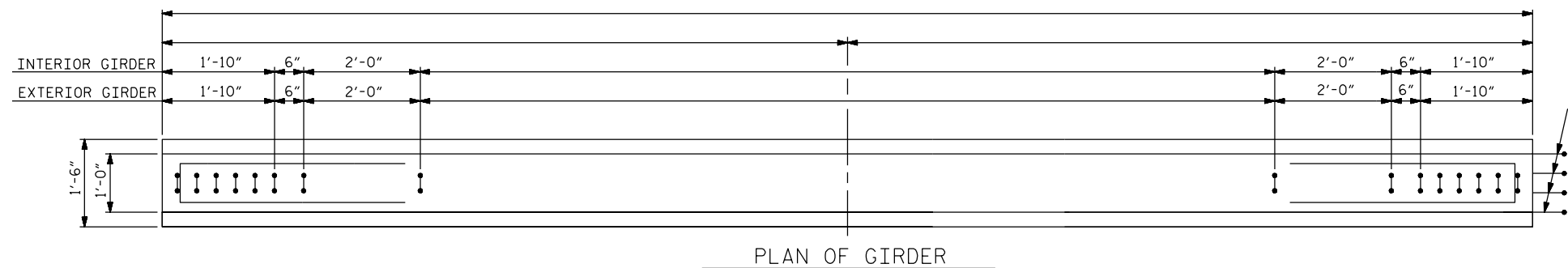
SECTION B-B

SECTION C-C

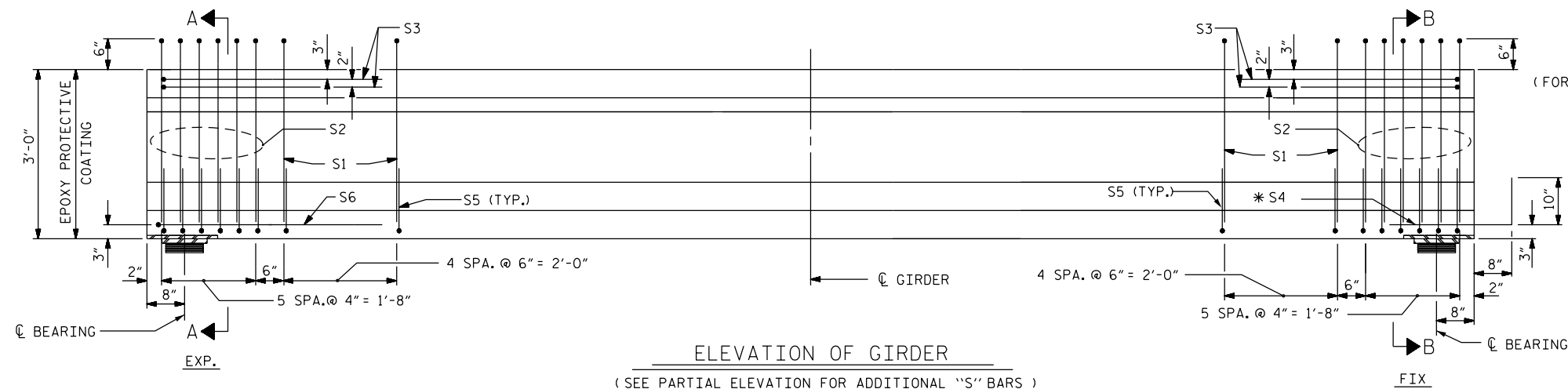
(S1 BARS NOT SHOWN)



0.6" Ø LOW RELAXATION STRAND LAYOUT

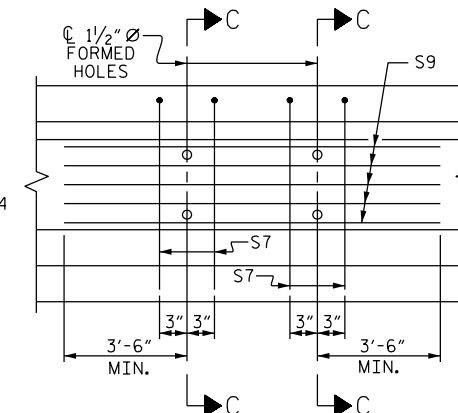


PLAN OF GIRDER



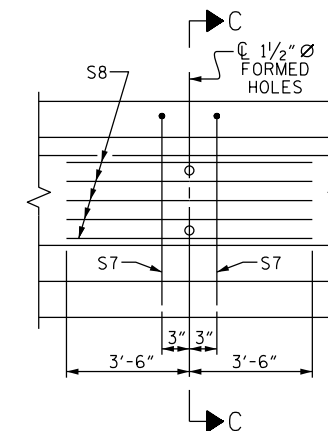
ELEVATION OF GIRDER

(SEE PARTIAL ELEVATION FOR ADDITIONAL "S" BARS)



PARTIAL ELEVATION

SHOWING INTERMEDIATE DIAPHRAGM REINFORCING STEEL FOR GIRDER Nos. (FOR INTERIOR GDRS. WITH SKEW < 70° OR SKEW > 110°)



PARTIAL ELEVATION

SHOWING INTERMEDIATE DIAPHRAGM REINFORCING STEEL FOR GIRDER Nos. (FOR ALL EXTERIOR GIRDERS AND INTERIOR GIRDERS WITH 70° ≤ SKEW ≤ 110°)

0.6" Ø L. R. GRADE 270 STRANDS

AREA (SQUARE INCHES)	ULTIMATE STRENGTH (LBS. PER STRAND)	APPLIED PRESTRESS (LBS. PER STRAND)
0.217	58,600	43,950

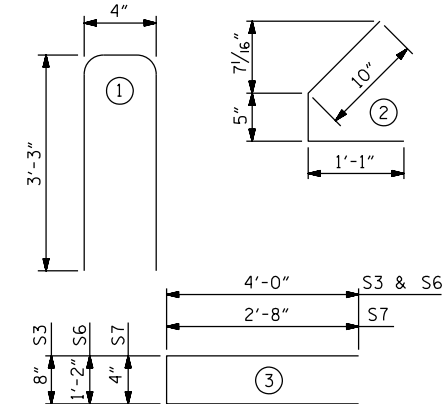
REINFORCING STEEL FOR ONE GIRDER

BAR	NUMBER	SIZE	TYPE	LENGTH	WEIGHT
EXTERIOR GDR. S1		#4	1	6'-10"	
INTERIOR GDR. S1		#4	1	6'-10"	
S2	12	#5	1	6'-10"	86
S3	4	#4	3	8'-8"	23
*S4	4	#5	STR	3'-8"	15
S5	44	#4	2	2'-4"	69
S6	1	#4	3	9'-2"	6
EXTERIOR GDR. S7		#5	3	5'-8"	
INTERIOR GDR. S7		#5	3	5'-8"	
EXTERIOR GDR. S8		#4	STR	7'-0"	
INTERIOR GDR. S		#4	STR	8"	

* NOTE: S4 BARS SHALL BE BENT BEFORE SHIPMENT. HEAT BENDING SHALL NOT BE ALLOWED.

BAR TYPES

ALL BAR DIMENSIONS ARE OUT-TO-OUT



QUANTITIES FOR ONE GIRDER

	REINFORCING STEEL LB.	PSI CONCRETE C.Y.	0.6" Ø L. R. STRANDS No.
EXTERIOR GIRDER			
INTERIOR GIRDER			

GIRDERS REQUIRED

NUMBER	LENGTH	TOTAL LENGTH

PROJECT NO. _____

_____ COUNTY

STATION: _____

STATE OF NORTH CAROLINA
DEPARTMENT OF TRANSPORTATION
RALEIGH
STANDARD
AASHTO TYPE II
PRESTRESSED CONCRETE GIRDER
CONTINUOUS FOR LIVE LOAD

REVISIONS						SHEET NO.
NO.	BY:	DATE:	NO.	BY:	DATE:	TOTAL SHEETS
1			3			
2			4			

ASSEMBLED BY :	DATE :	REV. 5/1/06R	TLA/GM
CHECKED BY :	DATE :	REV. 10/1/11	MAA/GM
DRAWN BY : ELR 8/91		REV. 1/15	MAA/TMG
CHECKED BY : GRP 8/91			

DOCUMENT NOT CONSIDERED FINAL UNLESS ALL SIGNATURES COMPLETED