

# ***Comprehensive Design Examples***



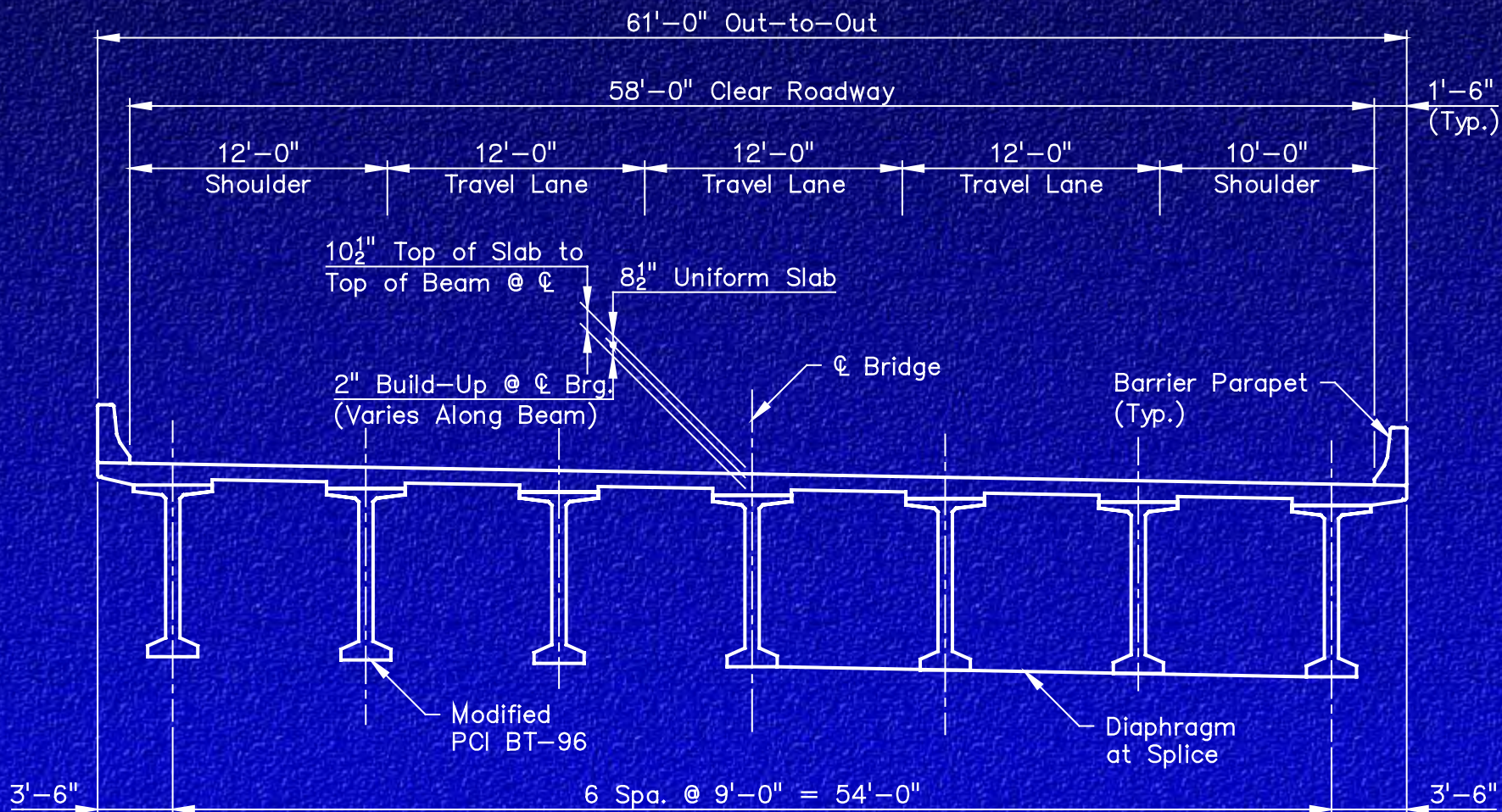
# ***Design Examples***

***All three are spliced girders***

- ***Simple span spliced PCI BT-96 girder***
- ***Two-span spliced U-beam girder***
- ***Continuous three span girder***



# Simple Span Design Example

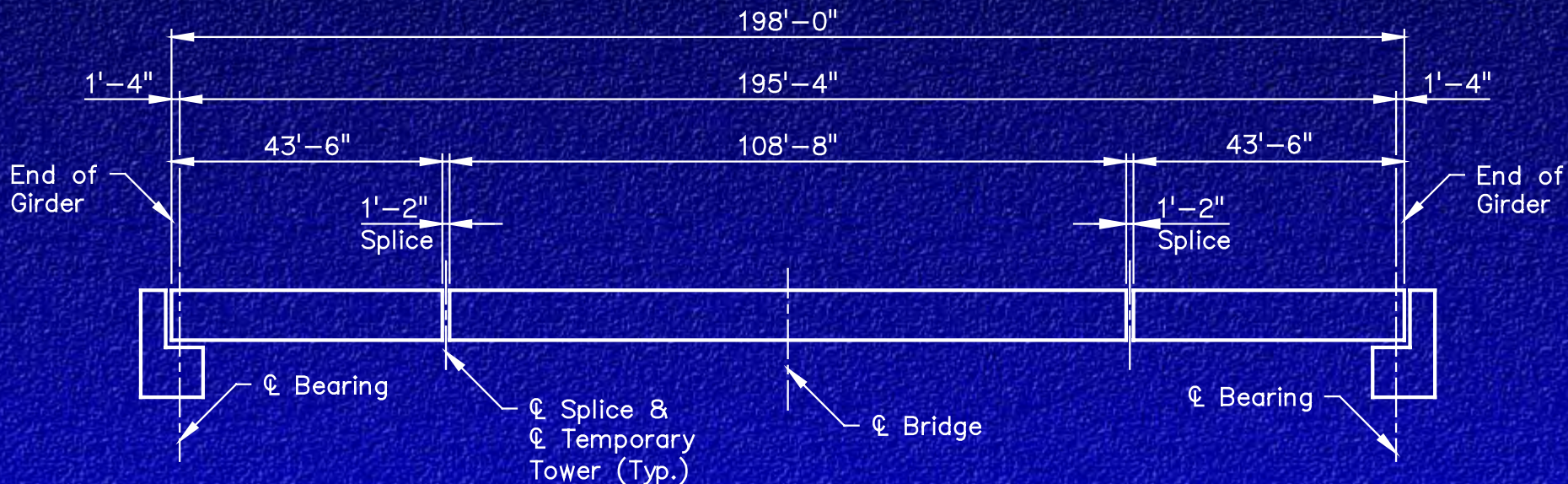


**TYPICAL HALF SECTION**

**HALF SECTION AT SPLICE**



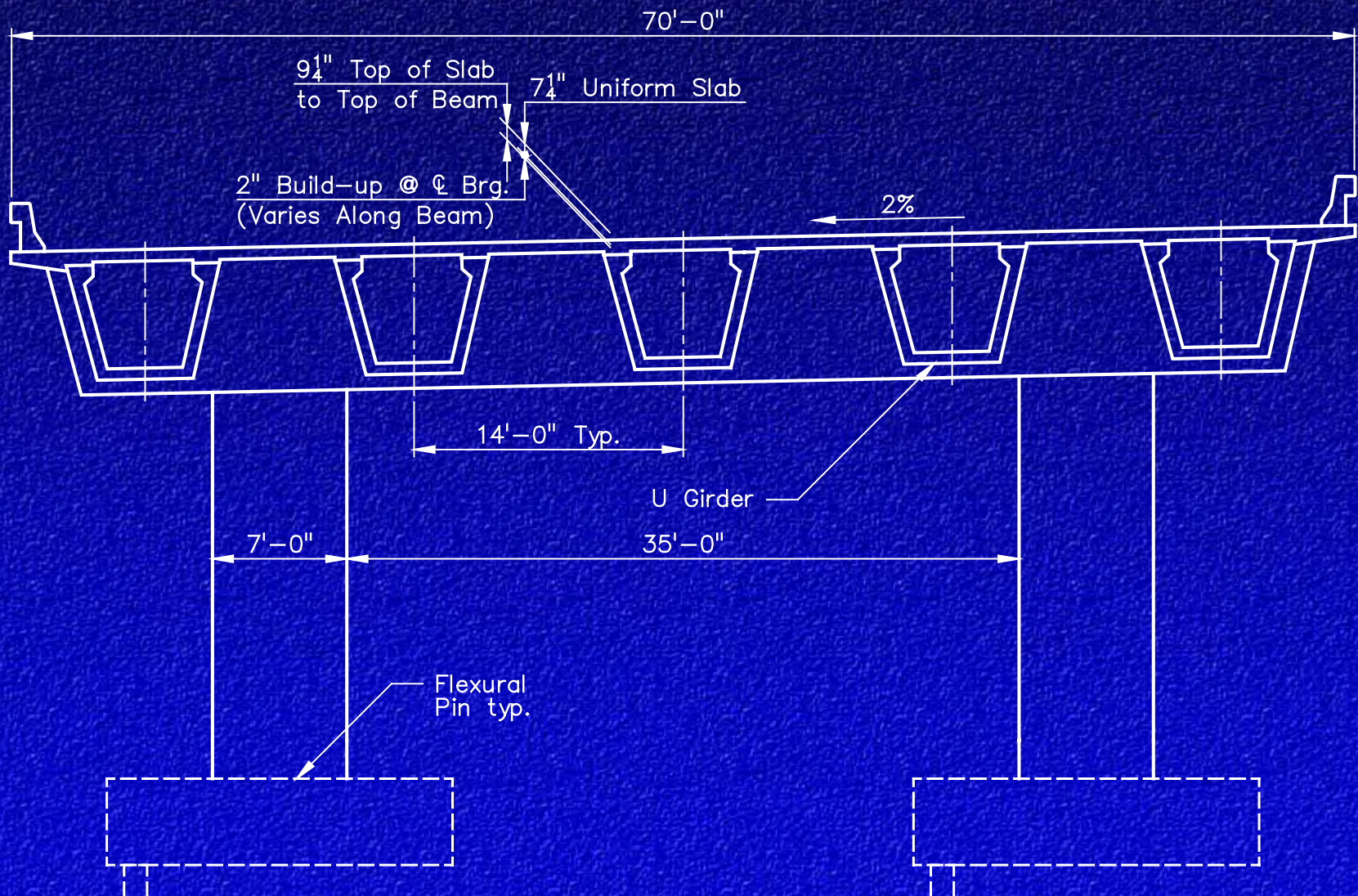
# Simple Span Design Example



- **Three girder segments**
- **Falsework towers at splices**
- **All six tendons are stressed after splices and deck are cast**

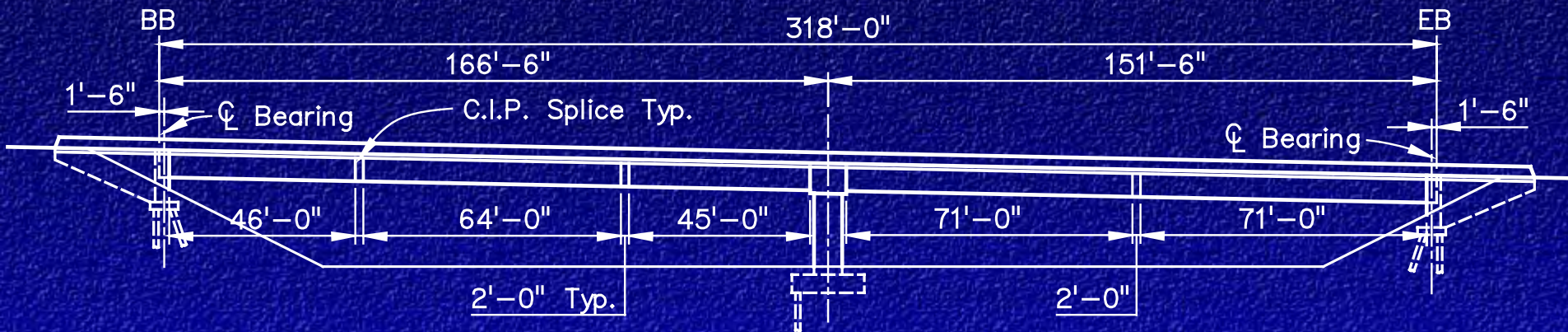


# Two Span Design Example





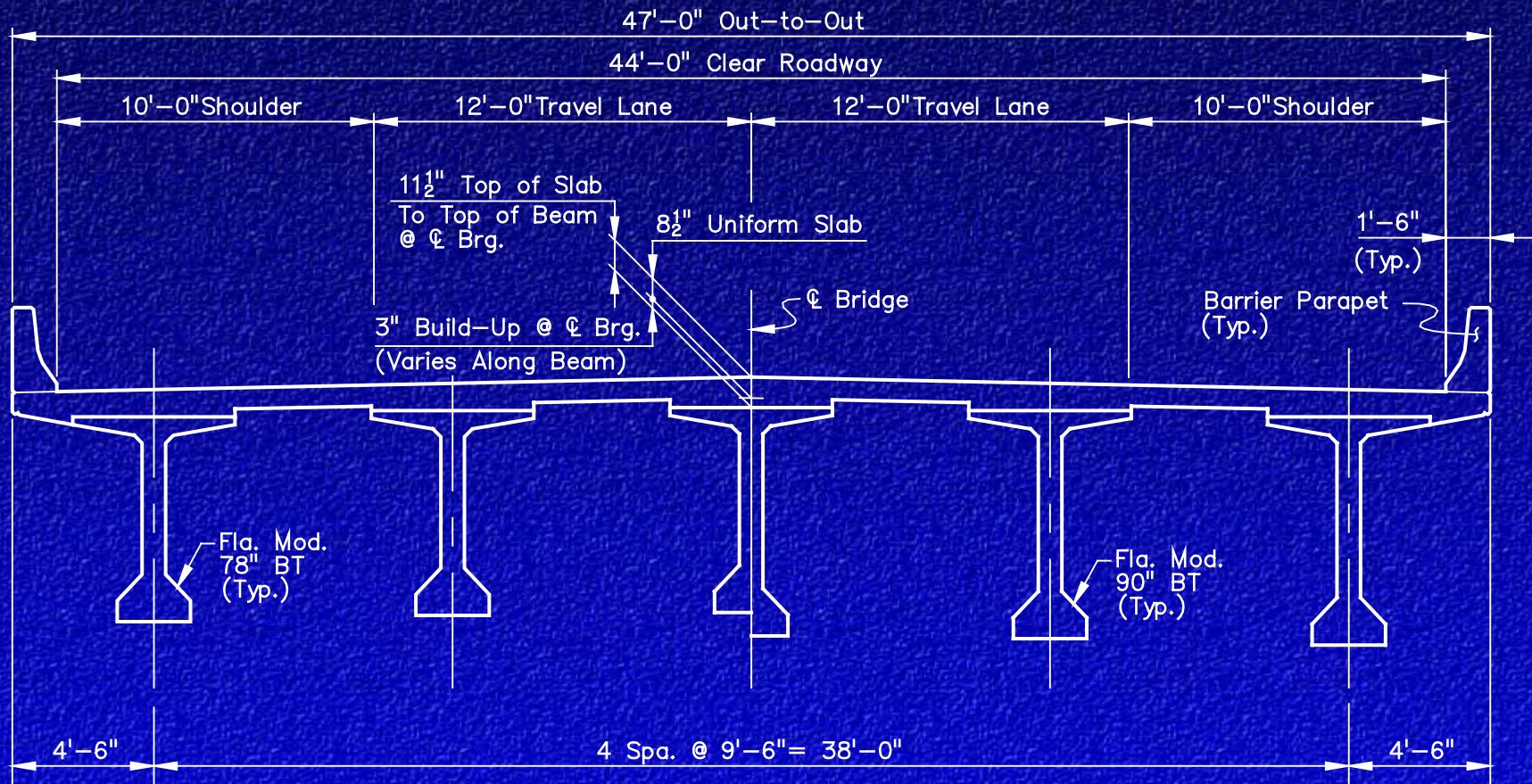
# Two Span Design Example



- **Five girder segments**
- **Falsework towers at in-span splices**
- **Splice at pier in integral cap**
- **Two stage post-tensioning**
- **Seismic site**



# Three Span Design Example

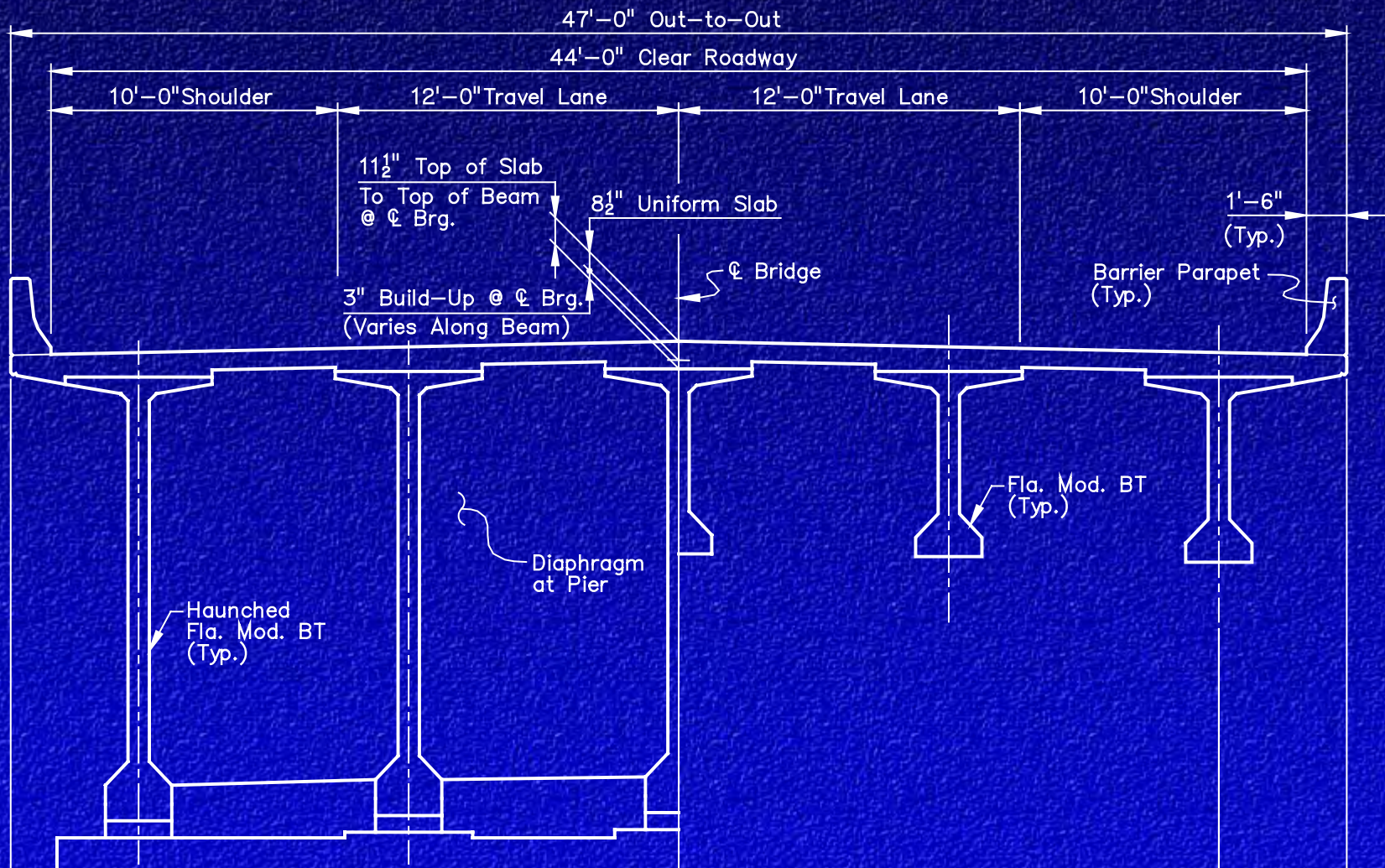


**END GIRDER SEGMENT**

**DROP-IN GIRDER SEGMENT**



# Three Span Design Example



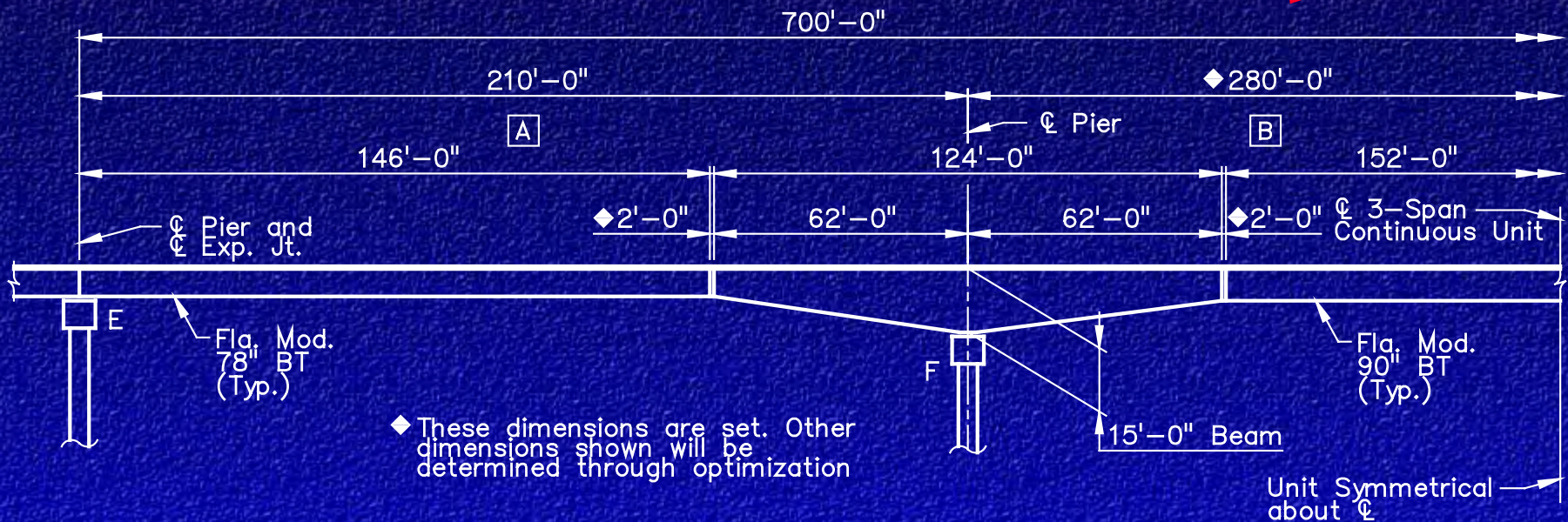
**HALF SECTION AT PIER**

**HALF SECTION AT SPLICE**



# Three Span Design Example

•Continue



- **Five girder segments**
- **Falsework towers at outer span splices**
- **Strong backs at main span splices**
- **Staged post-tensioning**