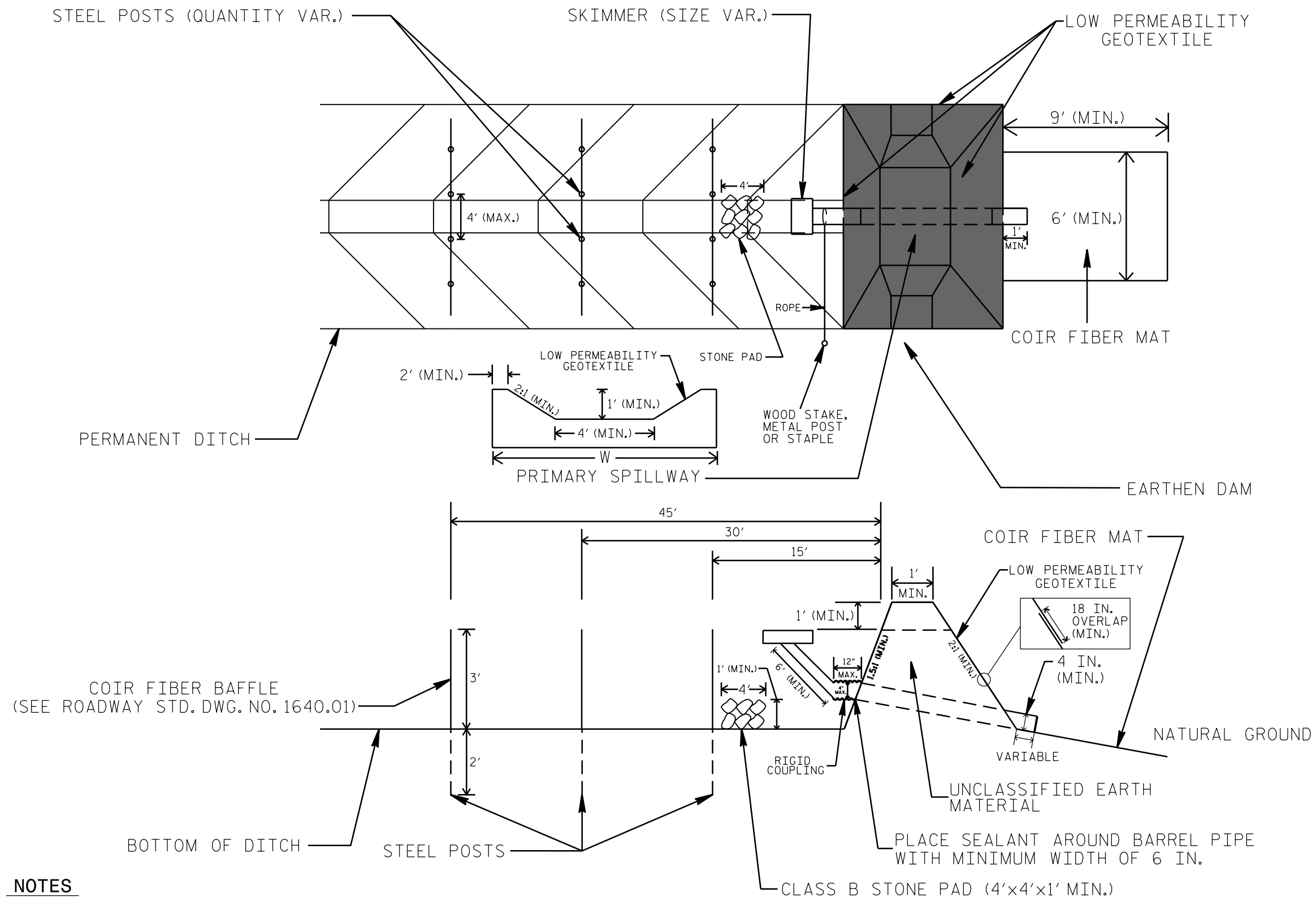
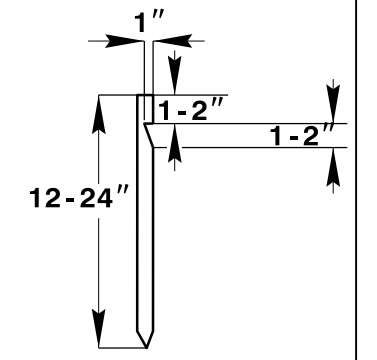


# EARTHEN DAM WITH SKIMMER DETAIL (EAST)

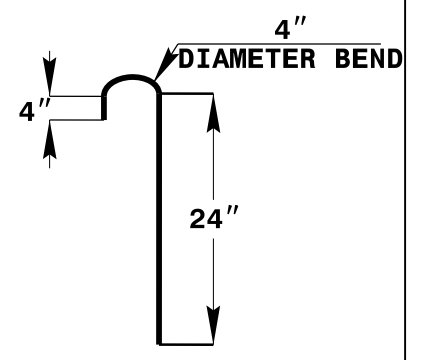
PROJECT REFERENCE NO. X-XXXX	SHEET NO. EC-2H
RW SHEET NO.	
ROADWAY DESIGN ENGINEER	HYDRAULICS ENGINEER



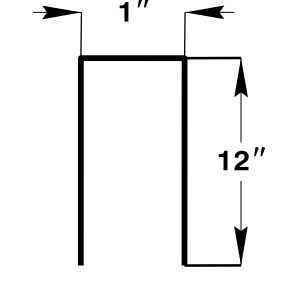
2" x 2" (nominal) WOODEN STAKE



#10 STEEL REINFORCEMENT BAR



1" (nominal) STAPLE



**COIR FIBER MAT ANCHOR OPTIONS**

**NOTES**

1. LIMIT EARTHEN DAM HEIGHT TO 5 FT.
2. DETERMINE PRIMARY SPILLWAY LENGTH (FT.) USING  $Q/0.8$ , WHERE Q IS FLOW RATE (CFS) INTO BASIN.
3. LOW PERMEABILITY GEOTEXTILE FOR PRIMARY SPILLWAY SHALL BE ONE CONTINUOUS PIECE OF MATERIAL OR OVERLAPPED 18 IN. (MIN.).

NOT TO SCALE