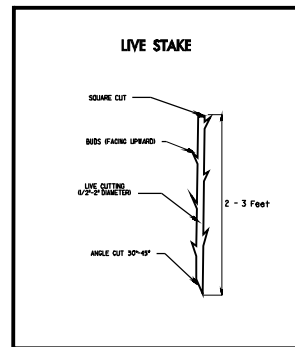
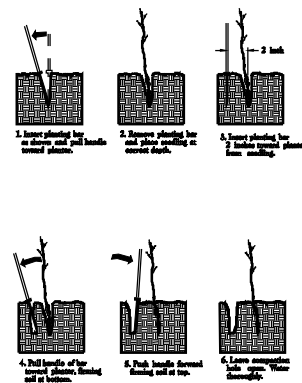


**PLANTING DETAILS**

**LIVE STAKES PLANTING DETAIL**



**BAREROOT PLANTING DETAIL  
DIBBLE PLANTING METHOD  
USING THE EDC PLANTING BAR**



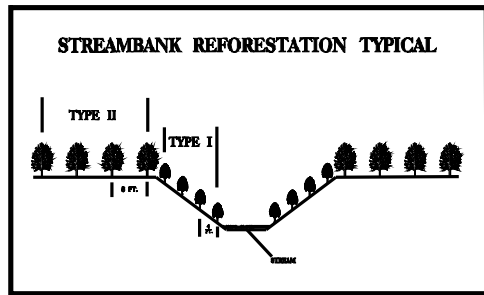
**PLANTING NOTES:**

**PLANTING BAR**  
The bar should be used to dig a hole in the soil to a depth of 12 inches. The bar should be used to dig a hole in the soil to a depth of 12 inches.

**EDC PLANTING BAR**  
The bar should be used to dig a hole in the soil to a depth of 12 inches. The bar should be used to dig a hole in the soil to a depth of 12 inches.

**ROOT PRUNING**  
All roots should be pruned to a length of 12 inches. The roots should be pruned to a length of 12 inches.

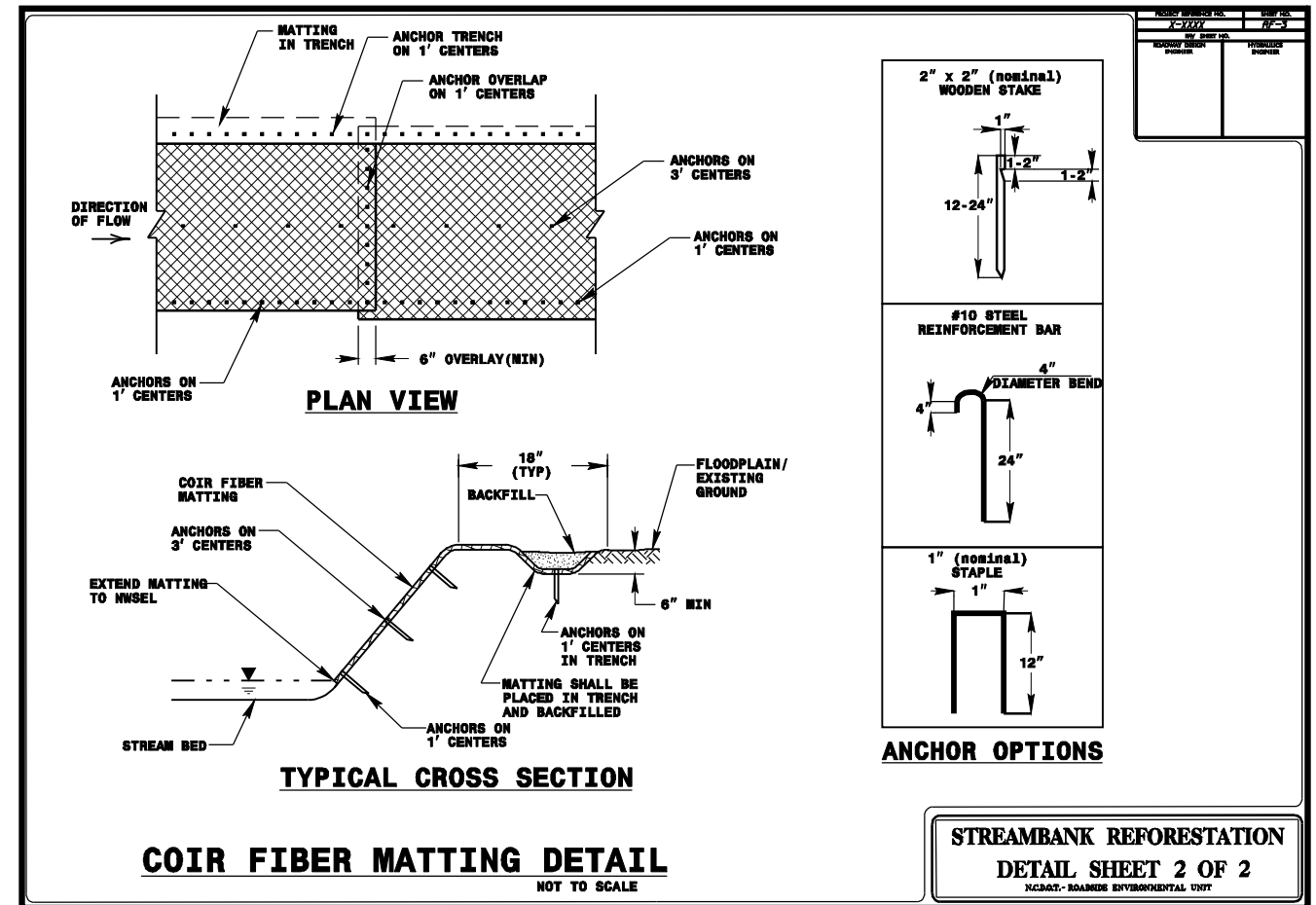
- TYPE 1 STREAMBANK REFORESTATION SHALL BE PLANTED 3 FT. TO 5 FT. ON CENTER, RANDOM SPACING, AVERAGING 4 FT. ON CENTER, APPROXIMATELY 2724 PLANTS PER ACRE.
- TYPE 2 STREAMBANK REFORESTATION SHALL BE PLANTED 6 FT. TO 10 FT. ON CENTER, RANDOM SPACING, AVERAGING 8 FT. ON CENTER, APPROXIMATELY 680 PLANTS PER ACRE.
- NOTE: TYPE 1 AND TYPE 2 STREAMBANK REFORESTATION SHALL BE PAID FOR AS "STREAMBANK REFORESTATION"



STREAMBANK REFORESTATION		
MATERIAL, TYPE, SIZE, AND PLACEMENT SHALL CONFORM TO THE FOLLOWING:		
<b>TYPE 1</b>	50% SALIX NIGRA	BLACK WILLOW 2 @ - 3 & LIVE STAKES
	50% CORNUS AMOMIUM	SILKY DOGWOOD 2 @ - 3 & LIVE STAKES
<b>TYPE 2</b>		

SEE PLAN SHEETS FOR AREAS TO BE PLANTED

**STREAMBANK REFORESTATION  
DETAIL SHEET 1 OF 2**  
HCD&T - BALMER ENVIRONMENTAL UNIT



**COIR FIBER MATTING DETAIL**  
NOT TO SCALE

**STREAMBANK REFORESTATION  
DETAIL SHEET 2 OF 2**  
HCD&T - BALMER ENVIRONMENTAL UNIT