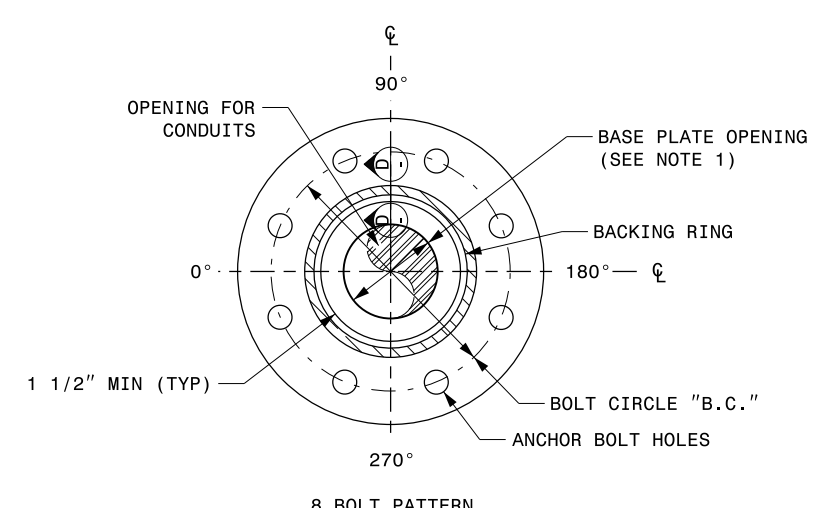
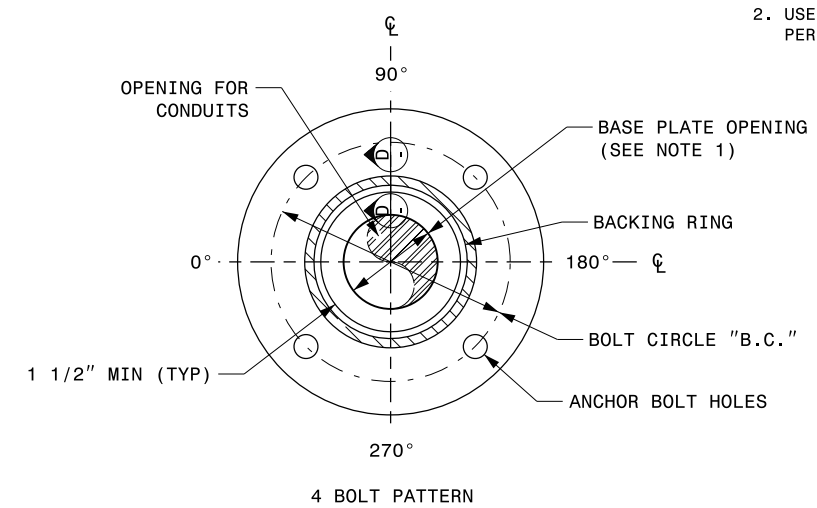
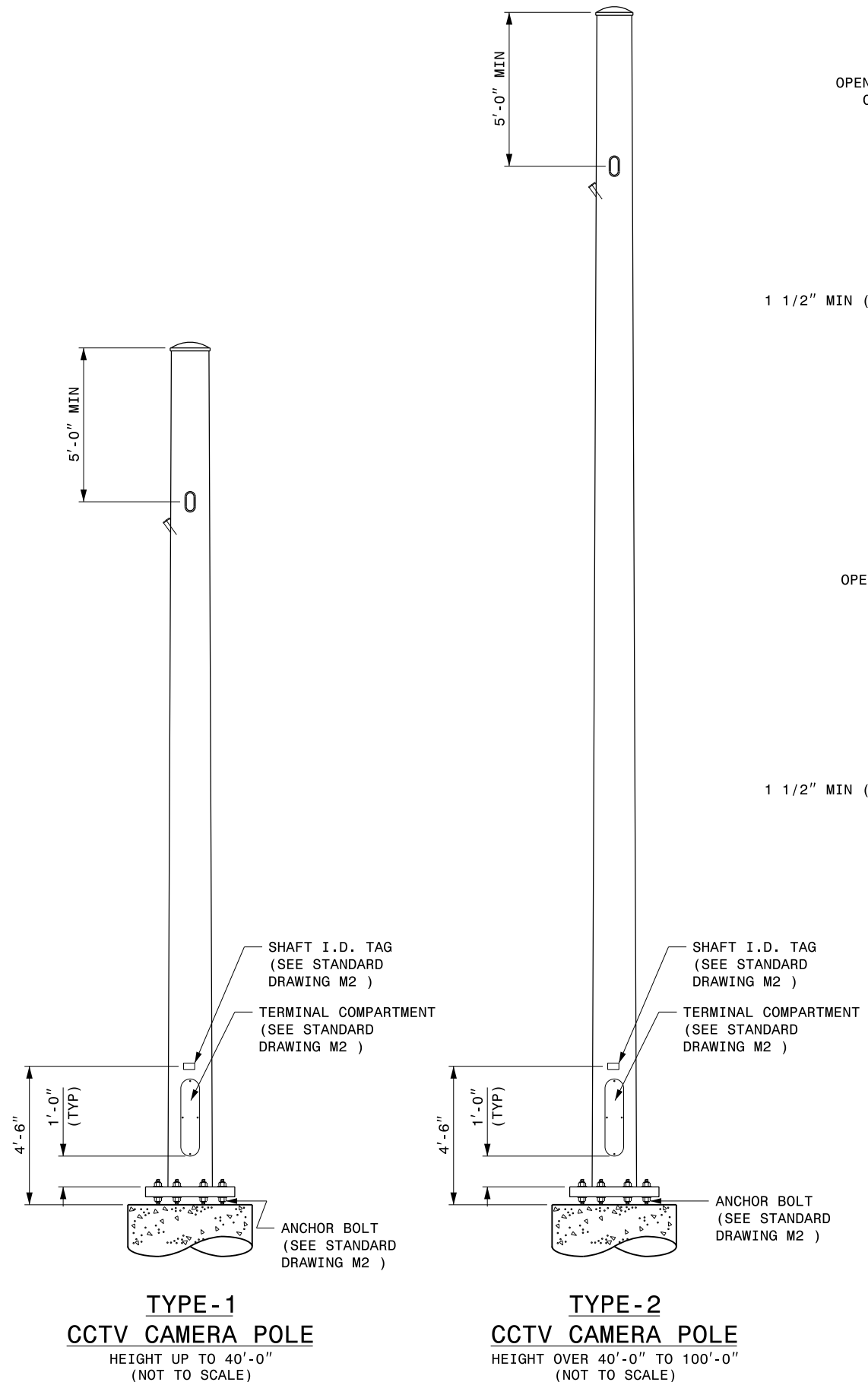
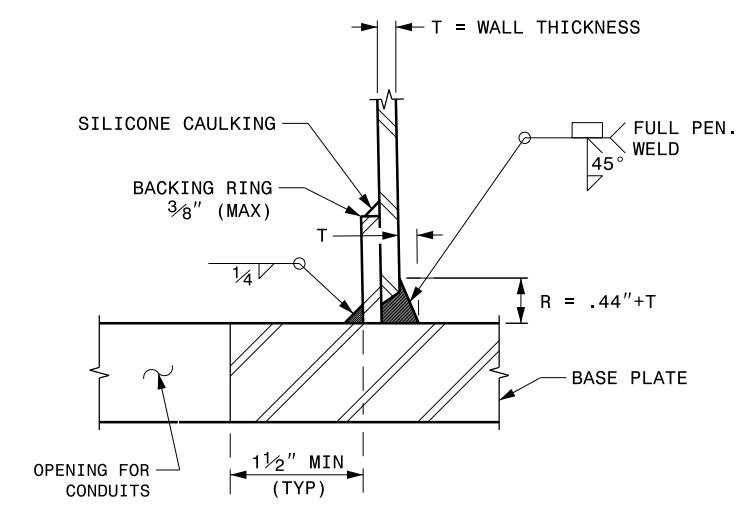


NOTES:

1. OPENING IN POLE BASE SHALL BE EQUAL TO POLE BASE INSIDE DIAMETER MINUS $3\frac{1}{2}$ " BUT SHALL NOT BE LESS THAN $8\frac{1}{2}$ ".
2. USE COMPACT SECTION CRITERIA D/T RATIO PER AASHTO LTS 6TH EDITION SECTION 5.5.2.



BASE PLATE DETAILS



Fabrication Details – CCTV Camera Poles

	<p>Typical Fabrication Details For CCTV Poles</p>							
	<p>PLAN DATE: OCTOBER 2021 DESIGNED BY: K.C. DURIGON</p> <p>PREPARED BY: K.C. DURIGON REVIEWED BY: D.C. SARKAR</p>	<p>DocuSigned by: <i>Debesh Sarkar</i> 26D7411BF02B401</p>		<p>10/13/2021</p>				
<p>750 N. Greenfield Pkwy, Garner, NC 27529</p> <p>SCALE: NA</p> <p>NONE</p>	<table border="1"> <tr> <th>REVISIONS</th> <th>INIT.</th> <th>DATE</th> </tr> <tr> <td> </td> <td> </td> <td> </td> </tr> </table>	REVISIONS	INIT.	DATE				<p>DATE</p>
REVISIONS	INIT.	DATE						

15-OCT-2021 13:44 S:\ITS\SD\115 Signal\Signal Design Sections\Structures\Drawings\CCTV Pole STD Dwg\Sig.M9 Fabrication Details - CCTV Poles.dgn