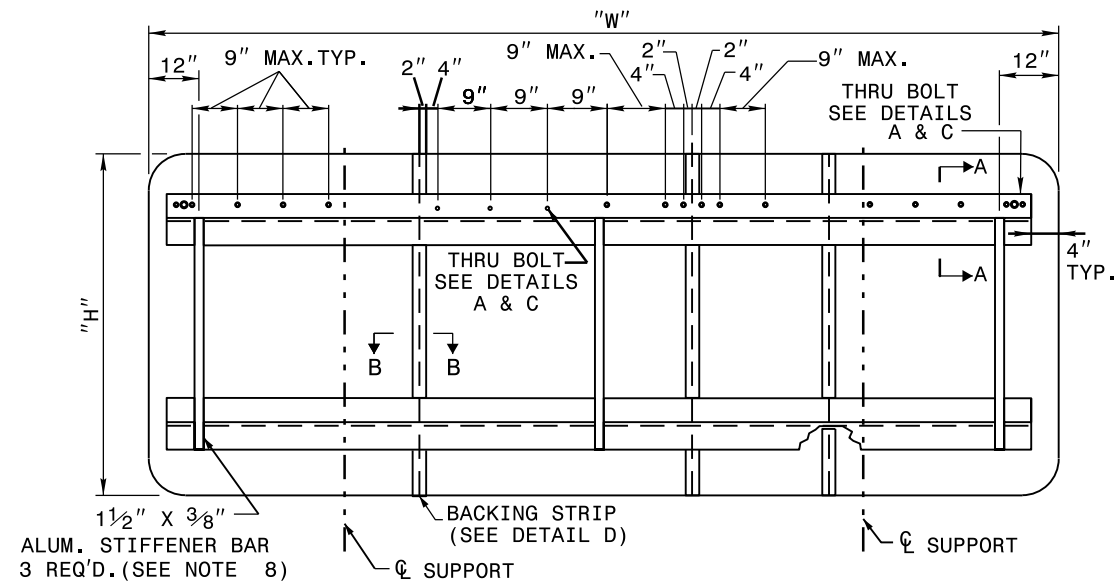
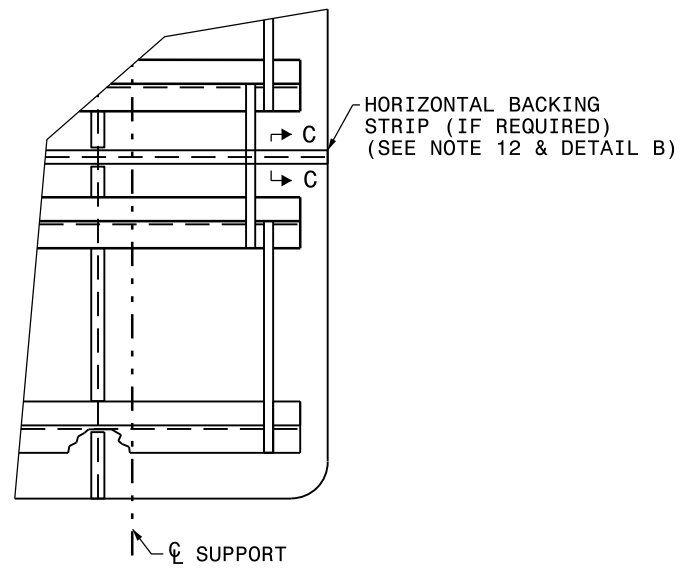


TYPICAL STUD PLACEMENT

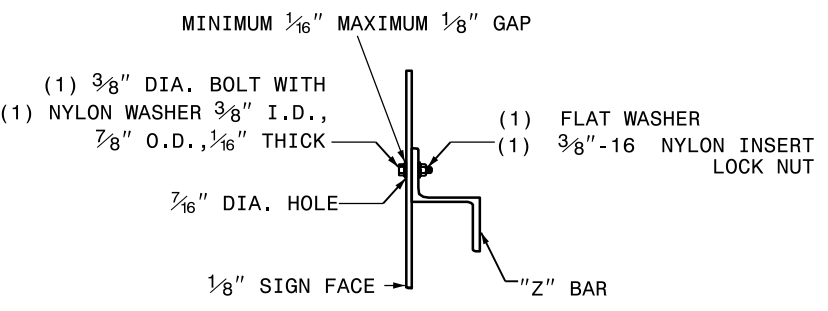


HORIZONTAL BACKING STRIP

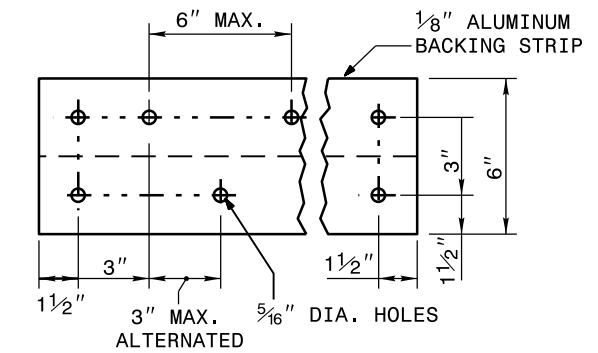
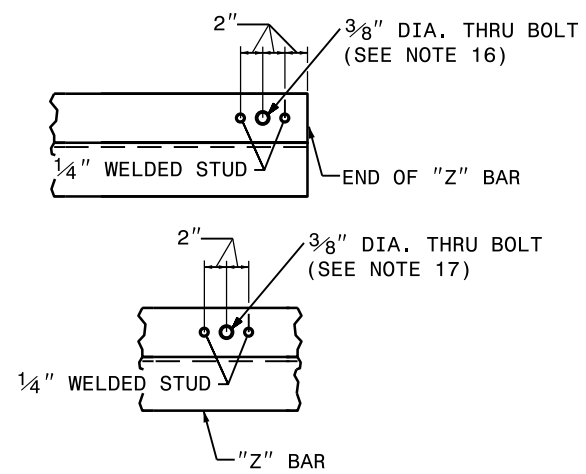


NOTES:

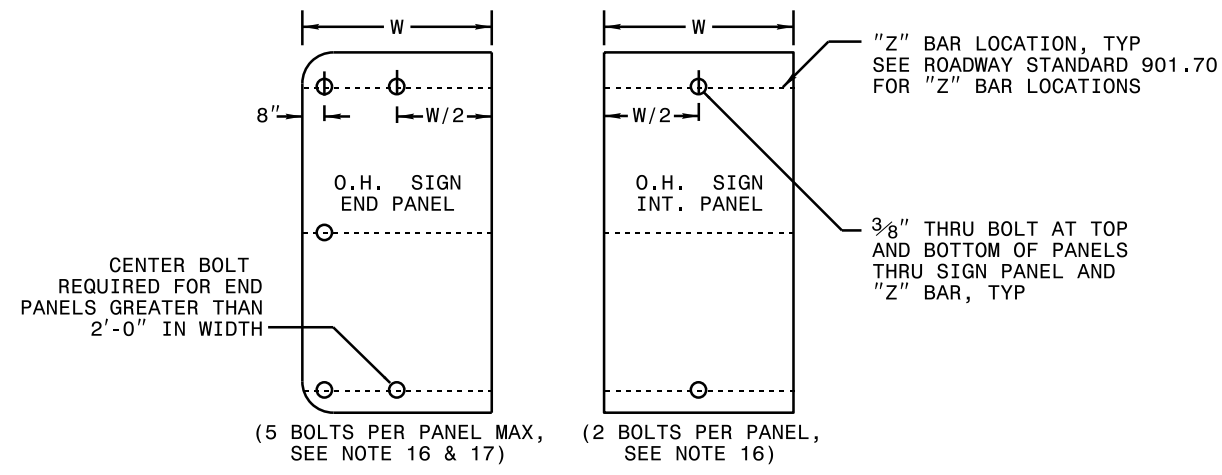
1. USE THE NUMBER AND SIZE OF SUPPORTS SHOWN ON THE SUPPORT CHART IN PROJECT PLANS.
2. FABRICATE SIGN PANEL SECTIONS WITH SHEETS 4'-0" WIDE. WHEN FABRICATING SIGNS WHICH ARE NOT MULTIPLES OF 4'-0" IN WIDTH, DO NOT CUT MORE THAN TWO SHEETS TO LESS THAN 4'-0" IN WIDTH. THESE PANELS SHALL NOT BE LESS THAN 1'-0" IN WIDTH.
3. SEE NCDOT STANDARD SPECIFICATIONS FOR ROADS AND STRUCTURES, FOR TYPE OF MATERIAL TO BE USED FOR SIGN PANELS, HANGER ASSEMBLIES, AND SUPPORTS.
4. USE GALVANIZED STEEL FOR BACKING STRIP PLATES AND MOUNTING BOLTS.
5. SEE ROADWAY STANDARD 904.20 WHEN TYPE "B" SECONDARY SIGN MOUNTING IS REQUIRED.
6. DETAILS FOR TYPE "A" SECONDARY SIGNS SHALL BE THE SAME AS FOR TYPE "A" SIGNS.
7. THE VERTICAL DIMENSION BETWEEN PRIMARY AND SECONDARY SIGNS IS TWO (2) INCHES.
8. ADJUST STIFFENERS TO AVOID CONFLICT WITH SUPPORTS.
9. SEE ROADWAY STANDARD 901.70 FOR SUPPORT AND "Z" BAR SPACING.
10. FABRICATE SIGNS TALLER THAN 12'-0" AS TWO SEPARATE SIGNS WITH A HORIZONTAL SPLICE. LOCATE STRINGERS ON EACH SECTION OF THE SIGN BY THE SIGN STRINGER CHART. (SEE ROADWAY STANDARD 901.70)
11. FABRICATE SIGNS TALLER THAN 12'-0" BUT SHORTER THAN 14'-6" WITH A HORIZONTAL SPLICE LOCATED 7'-0" FROM BOTTOM OF SIGN.
12. FABRICATE SIGNS 14'-6" TALL AND TALLER WITH A HORIZONTAL SPLICE. LOCATE THE SPLICE AT LEAST HALF OF THE SIGN HEIGHT FROM THE BOTTOM AND AT LEAST 7'-0" FROM THE TOP.
13. THERE SHALL ONLY BE A 1/8" GAP BETWEEN THE VERTICAL BACKING STRIP AND THE "Z" BAR.
14. SEE ROADWAY STANDARD 901.80 FOR DETAILS SHOWING SIGN MOUNTING TO SUPPORTS.
15. PLACE NYLON WASHER UNDER HEAD OF 3/8" THRU BOLTS.
16. FABRICATE EACH SIGN WITH 3/8" DIA. THRU BOLT, 4" FROM EACH END OF EACH "Z" BAR THRU SIGN PANEL AND "Z" BAR. SEE DETAILS A & C.
17. FABRICATE EACH SIGN WITH 3/8" DIA. THRU BOLT CENTERED IN EACH PANEL THRU THE TOP AND BOTTOM "Z" BAR. CENTERED THRU BOLT REQUIRED IN END PANELS GREATER THAN 2'-0" WIDE. SEE DETAILS A & C.
18. THRU BOLTS WILL HAVE A MINIMUM 1/16" TO MAXIMUM 1/8" GAP



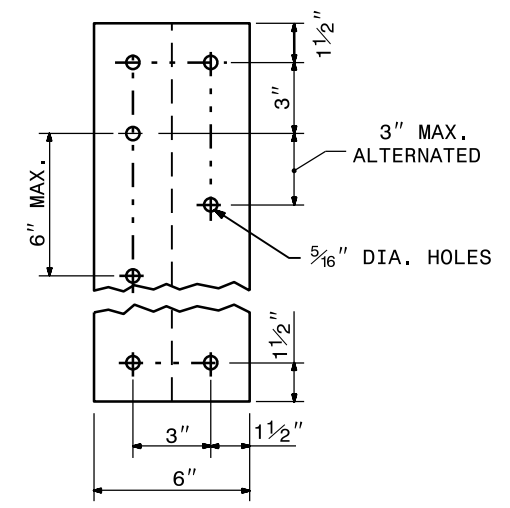
DETAIL A
THRU-BOLT CONNECTION



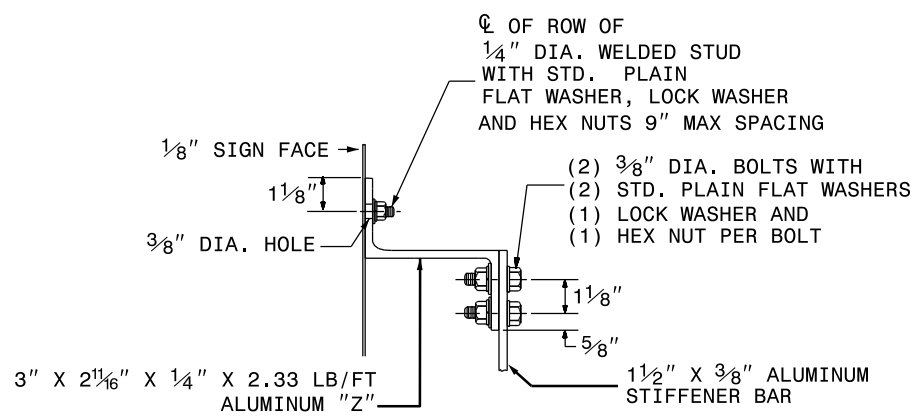
DETAIL B
TYPICAL HORIZ. JOINT HOLE PATTERN



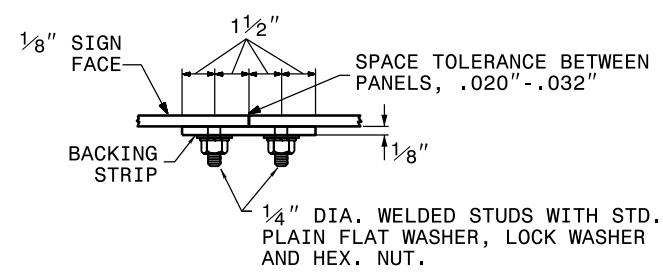
DETAIL C
THRU-BOLT LOCATIONS



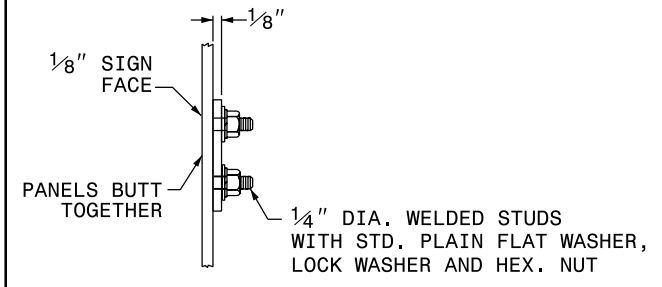
DETAIL D
BACKING STRIP HOLE PATTERN



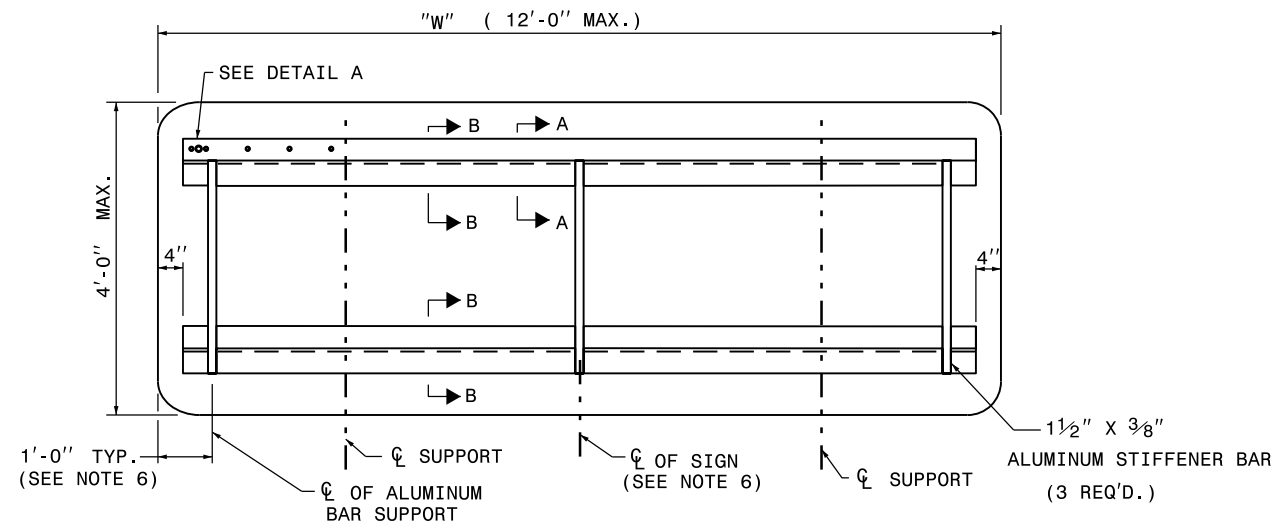
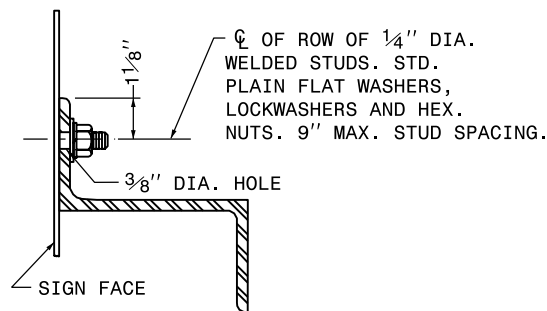
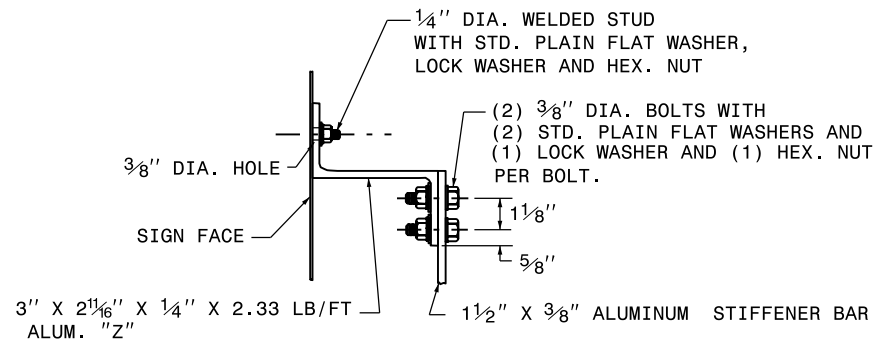
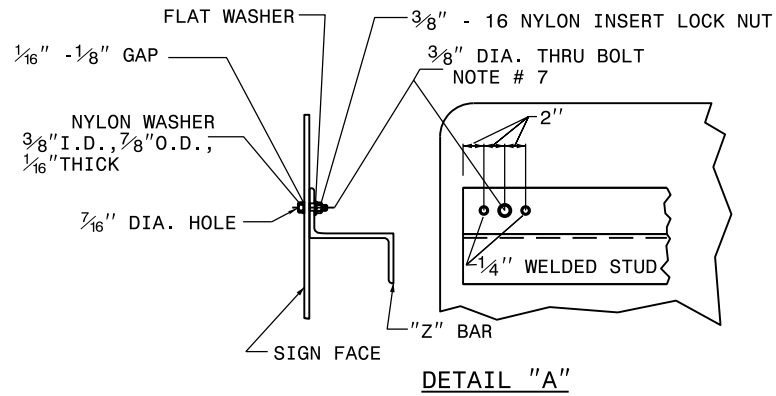
SECTION A-A



SECTION B-B



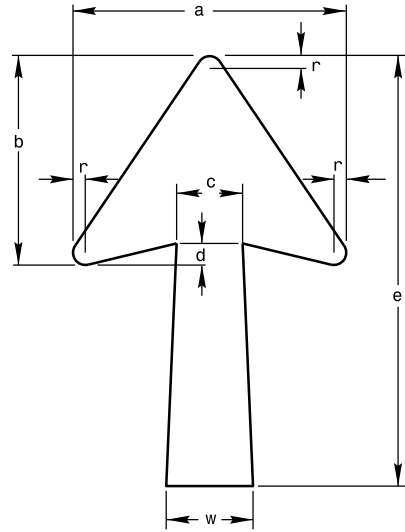
SECTION C-C



NOTES:

1. USE NUMBER AND SIZE OF SUPPORTS SHOWN ON SUPPORT CHART IN PROJECT PLAN SHEETS.
2. SEE NCDOT STANDARD SPECIFICATIONS FOR ROADS AND STRUCTURES FOR THE TYPE OF MATERIAL TO BE USED FOR SIGN PANELS, HANGER ASSEMBLIES AND SUPPORTS.
3. FURNISH ALL MOUNTING HARDWARE.
4. USE GALVANIZED STEEL FOR MOUNTING BOLTS.
5. THE VERTICAL DIMENSION BETWEEN PRIMARY AND SECONDARY SIGNS IS TWO (2) INCHES.
6. ADJUST STIFFENERS TO AVOID CONFLICT WITH SUPPORTS.
7. FABRICATE EACH SIGN WITH A $\frac{3}{8}$ " DIA. BOLT 4" FROM EACH END OF EACH "Z" BAR THRU SIGN PANEL AND "Z" BAR.
8. SEE ROADWAY STANDARD 901.70 FOR SUPPORT AND "Z" BAR SPACING.
9. SEE ROADWAY STANDARD 901.80 FOR DETAILS SHOWING SIGN MOUNTING TO SUPPORTS.
10. PLACE NYLON WASHER UNDER HEAD OF $\frac{3}{8}$ " THRU BOLT.
11. THRU BOLTS WILL HAVE A MINIMUM $\frac{1}{16}$ " TO MAXIMUM $\frac{1}{8}$ " GAP.

DETAIL OF INTERSTATE ARROW



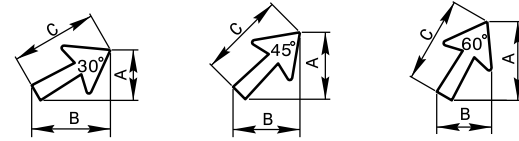
INTERSTATE TYPE "A" ARROW

LETTER SIZE (upper-case)	Arrow Dimensions in Inches						
	a	b	c	d	e	r	w
8"	15.13"	11.56"	3.75"	1.31"	25"	.81"	5"
10"-13.33"	18.25"	14"	4.50"	1.50"	30"	.75"	6"
15"CAPS-20"UC	22.25"	17"	5.38"	1.75"	35"	1"	7.06"

INTERSTATE TYPE "B" ARROW

LETTER SIZE (upper-case)	Arrow Dimensions in Inches						
	a	b	c	d	e	r	w
8"	15.13"	11.56"	3.75"	1.31"	17"	.81"	4.31"
10"-13.33"	18.25"	14"	4.50"	1.50"	20"	.75"	5.13"
15"CAPS-20"UC	22.25"	17"	5.38"	1.75"	25"	1"	6.19"

DETAIL OF DIAGONAL INTERSTATE ARROWS
FOR TYPE "A" & "B" SIGNS



INTERSTATE TYPE "A" ARROW

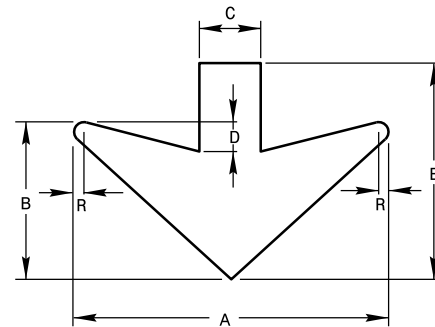
ANGLE Δ	ARROW SIZE TYPE "A"	A	B	C
30°	8" CAPS	15.88"	23"	25"
	10.67"-13.33"U.C. 10"-12"CAPS	19"	27.50"	30"
	15" CAPS - 20" U.C.	22.38"	32.25"	35"
45°	8" CAPS	19.63"	19.63"	25"
	10.67"-13.33"U.C. 10"-12"CAPS	23.50"	23.50"	30"
	15" CAPS - 20" U.C.	27.50"	27.50"	35"
60°	8" CAPS	23"	15.88"	25"
	10.67"-13.33"U.C. 10"-12"CAPS	27.50"	19"	30"
	15" CAPS - 20" U.C.	32.25"	22.38"	35"

INTERSTATE TYPE "B" ARROW

ANGLE Δ	ARROW SIZE TYPE "B"	A	B	C
30°	8" CAPS	13.25"	15.88"	17"
	10.67"-13.33"U.C. 10"-12"CAPS	16"	18.63"	20"
	15" CAPS - 20" U.C.	19.50"	23.25"	25"
45°	8" CAPS	13.75"	13.75"	17"
	10.67"-13.33"U.C. 10"-12"CAPS	16.25"	16.25"	20"
	15" CAPS - 20" U.C.	20.13"	20.13"	25"
60°	8" CAPS	15.88"	13.25"	17"
	10.67"-13.33"U.C. 10"-12"CAPS	18.63"	16"	20"
	15" CAPS - 20" U.C.	23.25"	19.50"	25"

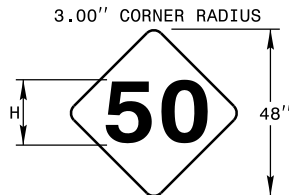
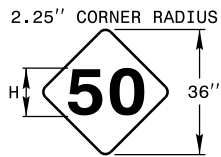
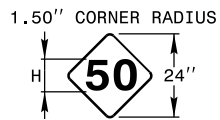
DOWN ARROWS

ARROW SIZE	Arrow Dimensions in Inches					
	A	B	C	D	E	R
1/2 "C"	16"	8"	3.25"	1.50"	11"	.50"
2/3 "C"	21.31"	10.69"	4.31"	2"	14.69"	.69"
3/4 "C"	24"	12"	4.88"	2.25"	16.50"	.75"
STANDARD "C"	32"	16"	6.50"	3"	22"	1"



DETAIL OF DOWN ARROW

DETAIL OF STATE SHIELDS



24" N.C. SHIELDS

NO. DIGITS	LETTER SERIES	LETTER HEIGHT "H"
1	"D"	12"
2	"C" OR "D"	10"
3	"C" OR "D"	7"
3	"C" OR "D"	8"

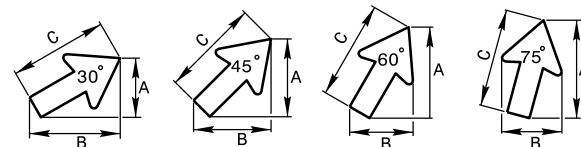
36" N.C. SHIELDS

NO. DIGITS	LETTER SERIES	LETTER HEIGHT "H"
1	"D"	18"
2	"C" OR "D"	15"
3	"C" OR "D"	12"
3	"D"	10"

48" N.C. SHIELDS

NO. DIGITS	LETTER SERIES	LETTER HEIGHT "H"
1	"D"	24"
2	"D"	20"
2	"D"	18"
3	"C" OR "D"	14"

DETAIL OF DIAGONAL ARROWS FOR TYPE "D" SIGNS



5" ARROW

ANGLE Δ	A	B	C
30°	4.95"	6.96"	7.5"
45°	5.97"	5.97"	7.5"
60°	6.96"	4.95"	7.5"
75°	7.49"	4.95"	7.5"

6" ARROW

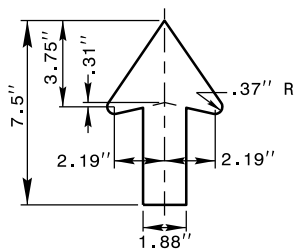
ANGLE Δ	A	B	C
30°	5.94"	8.36"	9"
45°	7.16"	7.16"	9"
60°	8.36"	5.94"	9"
75°	8.98"	5.95"	9"

8" ARROW

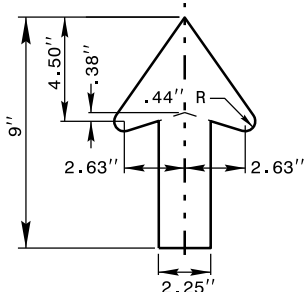
ANGLE Δ	A	B	C
30°	7.83"	11.14"	12"
45°	9.55"	9.55"	12"
60°	11.14"	7.83"	12"
75°	11.98"	7.88"	12"

10" ARROW

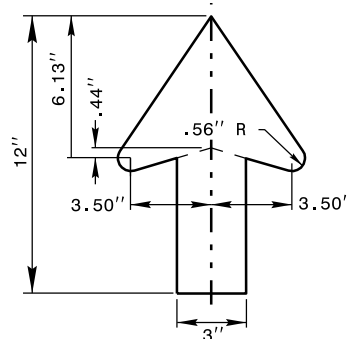
ANGLE Δ	A	B	C
30°	9.79"	13.93"	15"
45°	11.93"	11.93"	15"
60°	13.93"	9.79"	15"
75°	14.97"	9.83"	15"



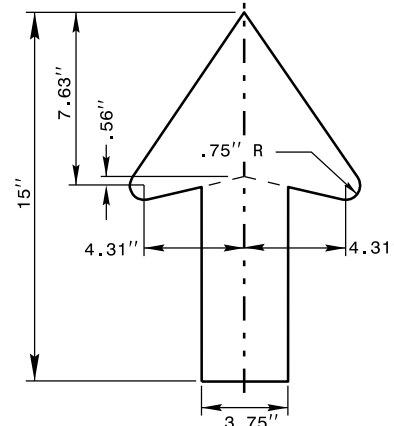
DETAIL OF 5" ARROW



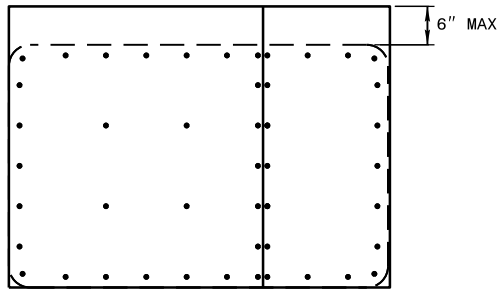
DETAIL OF 6" ARROW



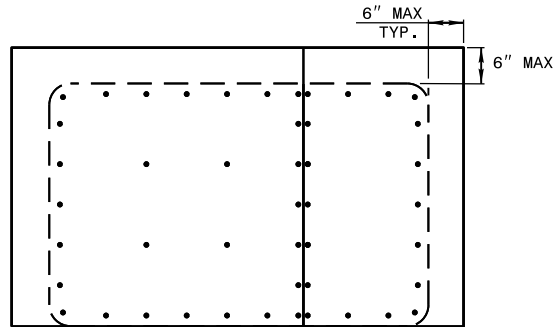
DETAIL OF 8" ARROW



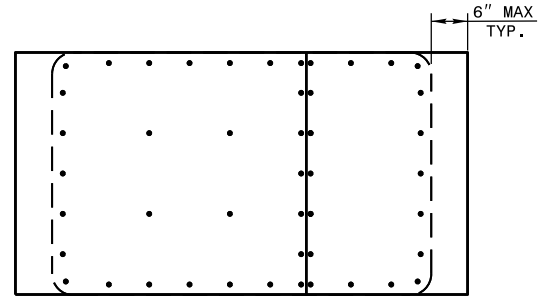
DETAIL OF 10" ARROW



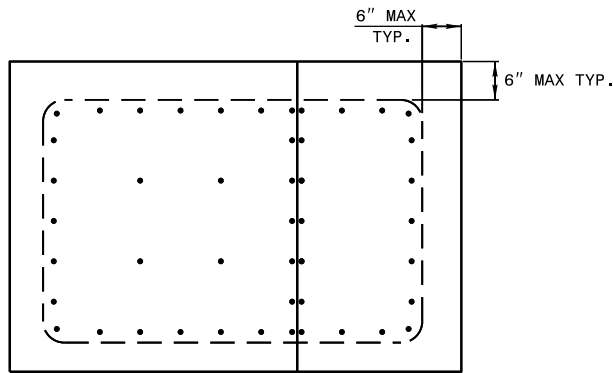
IF OVERLAYING SIGN OVERLAPS SIGN ON TOP ONLY
DETAIL NO.1



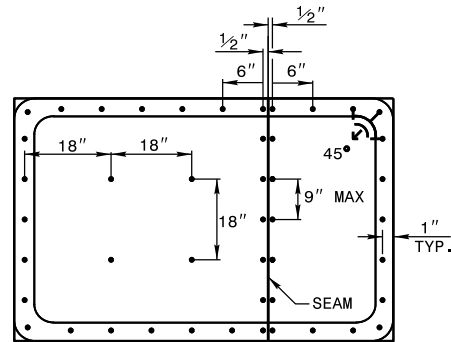
IF OVERLAYING SIGN OVERLAPS SIGN ON TOP AND SIDES
DETAIL NO.2



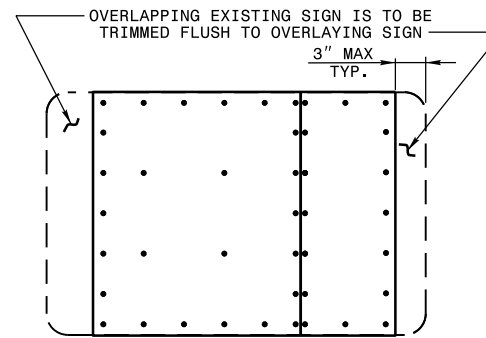
IF OVERLAYING SIGN OVERLAPS SIGN ON TWO SIDES
DETAIL NO.3



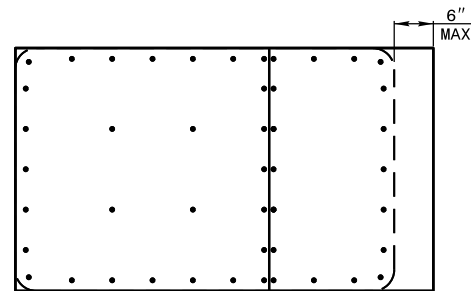
IF OVERLAYING SIGN OVERLAPS SIGN ON FOUR SIDES
DETAIL NO.4



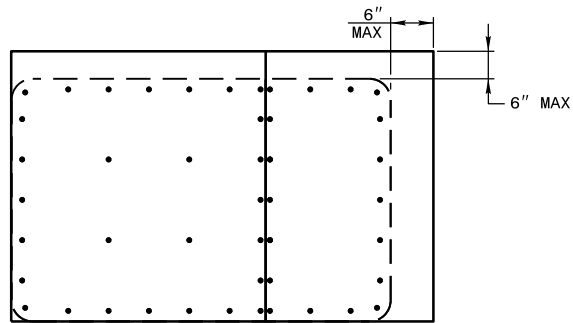
TYPICAL RIVET SPACING FOR OVERLAY SIGNS
DETAIL NO.5



IF EXISTING SIGN OVERLAPS OVERLAYING SIGN
DETAIL NO.6



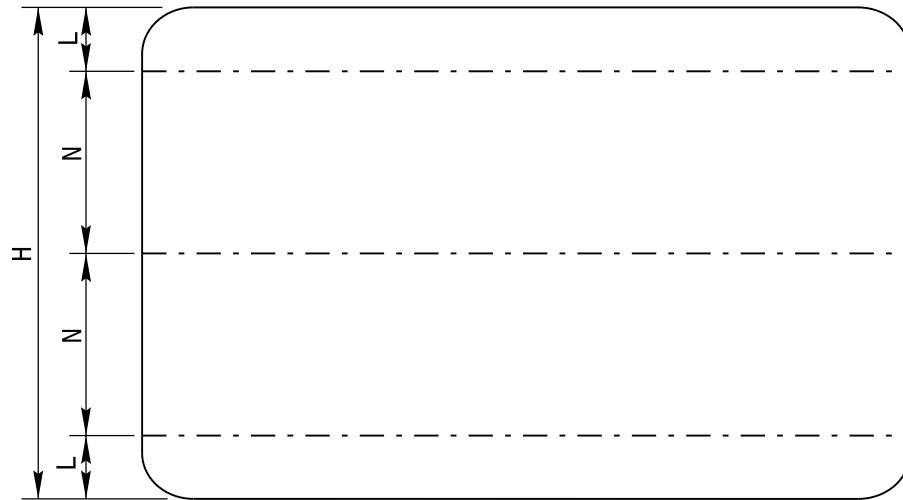
IF OVERLAYING SIGN OVERLAPS SIGN ON ONE SIDE
DETAIL NO.7



IF OVERLAYING SIGN OVERLAPS SIGN ON TOP AND ONE SIDE
DETAIL NO.8

NOTES:

1. A COMPLETE OVERLAY OF AN EXISTING O.H. SIGN IS NOT PERMISSIBLE



NOTES:

1. FABRICATE SIGNS TALLER THAN 12'-0" AS TWO SEPARATE SIGNS WITH A HORIZONTAL SPLICE.
 2. FABRICATE SIGNS TALLER THAN 12'-0" BUT SHORTER THAN 14'-6" WITH A HORIZONTAL SPLICE LOCATED 7'-0" FROM BOTTOM OF SIGN.
 3. FABRICATE SIGNS TALLER THAN 14'-6" WITH A HORIZONTAL SPLICE. LOCATE THE SPLICE AT LEAST HALF THE SIGN HEIGHT FROM THE BOTTOM AND AT LEAST 7'-0" FROM THE TOP.
- △ SUPPORT SPACING NOT APPLICABLE TO OVERHEAD SIGNS.

1-24

STATE OF NORTH CAROLINA
DEPT. OF TRANSPORTATION
DIVISION OF HIGHWAYS
RALEIGH, N.C.

SECTION HEIGHTS FOR SIGNS TALLER THAN 12' - 0"

HEIGHT	BOTTOM SECTION	HEIGHT	BOTTOM SECTION
14' - 6"	7' - 6"	19' - 6"	10' - 0"
15' - 0"	7' - 6"	20' - 0"	10' - 0"
15' - 6"	8' - 0"	20' - 6"	10' - 6"
16' - 0"	8' - 0"	21' - 0	10' - 6"
16' - 6"	8' - 6"	21' - 6"	11' - 0"
17' - 0"	8' - 6"	22' - 0"	11' - 0"
17' - 6"	9' - 0"	22' - 6"	11' - 6"
18' - 0"	9' - 0"	23' - 0"	11' - 6"
18' - 6"	9' - 6"	23' - 6"	12' - 0"
19' - 0"	9' - 6"	24' - 0"	12' - 0"

HEIGHT (H)	△ 2 STRINGERS L= .207H N= .586H		△ 3 STRINGERS L= .145H N= .355H		△ 4 STRINGERS L= .107H N= .262H		△ 5 STRINGERS L= .100H N= .200H		
	IN. FT.-IN.	FT.-IN.	FT.-IN.	FT.-IN.	FT.-IN.	FT.-IN.	FT.-IN.	FT.-IN.	
24	2 - 0	0 - 6	1 - 0						
30	2 - 6	0 - 8	1 - 2						
36	3 - 0	0 - 8	1 - 8						
42	3 - 6	0 - 8.5	2 - 1						
48	4 - 0	0 - 10.0	2 - 4						
54	4 - 6	0 - 11.0	2 - 8						
60	5 - 0	1 - 0.5	2 - 11	0 - 9.0	1 - 9.0				
66	5 - 6	1 - 1.5	3 - 3	0 - 10.0	1 - 11.0				
72	6 - 0	1 - 3.0	3 - 6	0 - 10.5	2 - 1.5				
78	6 - 6	1 - 4.0	3 - 10	0 - 11.5	2 - 3.5				
84	7 - 0	1 - 5.5	4 - 1	1 - 0.0	2 - 6.0	0 - 9.0	1 - 10.0		
90	7 - 6			1 - 1.0	2 - 8.0	0 - 9.0	2 - 0.0		
96	8 - 0			1 - 2.0	2 - 10.0	0 - 10.5	2 - 1.0		
102	8 - 6			1 - 3.0	3 - 0.0	0 - 10.5	2 - 3.0		
108	9 - 0			1 - 3.5	3 - 2.5	1 - 0.0	2 - 4.0		
114	9 - 6			1 - 4.5	3 - 4.5	1 - 0.0	2 - 6.0		
120	10 - 0			1 - 5.5	3 - 6.5	1 - 1.5	2 - 7.0	1 - 0.0	2 - 0.0
126	10 - 6			1 - 6.5	3 - 8.5			1 - 1.0	2 - 1.0
132	11 - 0			1 - 7.0	3 - 11.0			1 - 1.0	2 - 2.5
138	11 - 6			1 - 8.0	4 - 1.0			1 - 2.0	2 - 3.5
144	12 - 0			1 - 9.0	4 - 3.0			1 - 2.0	2 - 5.0

STRINGER SPACING

NUMBER OF STRINGERS REQUIRED

0.080 AND 0.125 SIGN FACES

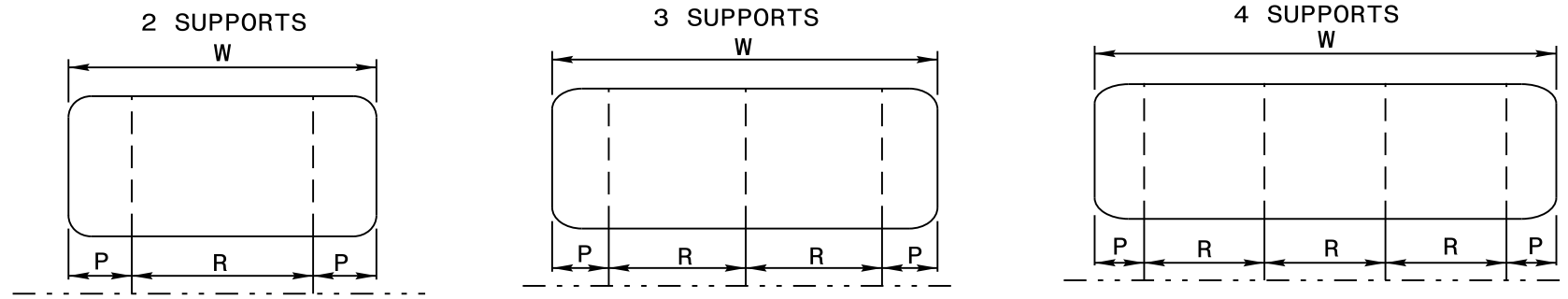
NUMBER OF STRINGERS	MAXIMUM SIGN HEIGHT	
	0.080 FACE	0.125 FACE
2	4' 6"	7' 0"
3	7' 0"	12' 0"
4	10' 0"	14' 0"
5	12' 0"	14' 6"
6	14' 0"	24' 0"
7	17' 0"	
8	20' 0"	
9	22' 0"	
10	24' 0"	

ROADWAY STANDARD DRAWING FOR

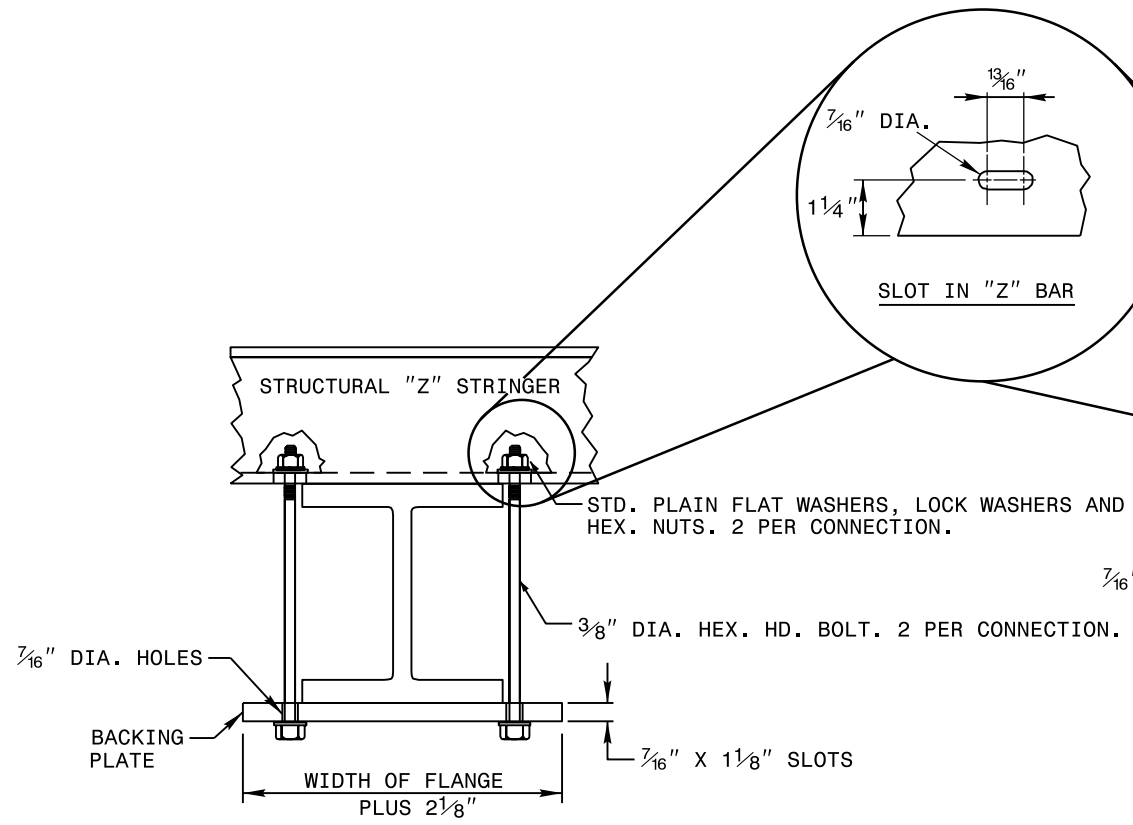
SIGN STRINGERS AND SUPPORT SPACING

WIDTH (W)	△ 2 SUPPORTS P= .207W R= .586W		△ 3 SUPPORTS P= .145W R= .355W		△ 4 SUPPORTS P= .107W R= .262W		WIDTH (W)	△ 2 SUPPORTS P= .207W R= .586W		△ 3 SUPPORTS P= .145W R= .355W		△ 4 SUPPORTS P= .107W R= .262W		
	IN. FT.-IN.	FT.-IN.	FT.-IN.	FT.-IN.	FT.-IN.	FT.-IN.		IN. FT.-IN.	FT.-IN.	FT.-IN.	FT.-IN.	FT.-IN.	FT.-IN.	FT.-IN.
24	2 - 0	0 - 6 *	1 - 0 *				210	17 - 6	3 - 7.5	10 - 3	2 - 6.5	6 - 2.5	1 - 10.5	4 - 7.0
30	2 - 6	0 - 8 *	1 - 2 *				# 216	18 - 0	3 - 8.5	10 - 7 *	2 - 7.5	6 - 4.5	1 - 10.5*	4 - 9.0*
36	3 - 0	0 - 8	1 - 8				222	18 - 6			2 - 8.0	6 - 7.0	2 - 0.0	4 - 10.0
42	3 - 6	0 - 8.5	2 - 1 *				228	19 - 0			2 - 9.0	6 - 9.0	2 - 0.0*	5 - 0.0*
48	4 - 0	0 - 10.0	2 - 4				234	19 - 6			2 - 10.0	6 - 11.0	2 - 1.5*	5 - 1.0*
54	4 - 6	0 - 11.0	2 - 8 *				240	20 - 0			2 - 11.0	7 - 1.0	2 - 1.5	5 - 3.0
60	5 - 0	1 - 0.5	2 - 11				246	20 - 6			2 - 11.5	7 - 3.5	2 - 3.0*	5 - 4.0*
66	5 - 6	1 - 1.5	3 - 3 *				252	21 - 0			3 - 0.5	7 - 5.5	2 - 3.0	5 - 6.0
72	6 - 0	1 - 3.0	3 - 6				258	21 - 6			3 - 1.5	7 - 7.5	2 - 3.0*	5 - 8.0*
78	6 - 6	1 - 4.0	3 - 10 *				264	22 - 0			3 - 2.5	7 - 9.5	2 - 4.5*	5 - 9.0
84	7 - 0	1 - 5.5	4 - 1				270	22 - 6			3 - 3.0	8 - 0.0	2 - 4.5*	5 - 11.0*
90	7 - 6	1 - 6.5	4 - 5 *	1 - 1.0	2 - 8.0		276	23 - 0			3 - 4.0	8 - 2.0	2 - 6.0*	6 - 0.0*
96	8 - 0	1 - 8.0	4 - 8 *	1 - 2.0	2 - 10.0		282	23 - 6			3 - 5.0	8 - 4.0	2 - 6.0	6 - 2.0
102	8 - 6	1 - 9.0	5 - 0	1 - 3.0	3 - 0.0		288	24 - 0			3 - 6.0	8 - 6.0	2 - 7.5*	6 - 3.0*
108	9 - 0	1 - 10.5	5 - 3 *	1 - 3.5	3 - 2.5		294	24 - 6			3 - 6.5	8 - 8.5	2 - 7.5	6 - 5.0
114	9 - 6	1 - 11.5	5 - 7	1 - 4.5	3 - 4.5		300	25 - 0			3 - 7.5	8 - 10.5	2 - 7.5*	6 - 7.0*
120	10 - 0	2 - 1.0	5 - 10 *	1 - 5.5	3 - 6.5		306	25 - 6			3 - 8.5	9 - 0.5	2 - 9.0*	6 - 8.0
126	10 - 6	2 - 2.0	6 - 2	1 - 6.5	3 - 8.5		312	26 - 0			3 - 9.0	9 - 3.0	2 - 9.0*	6 - 10.0*
132	11 - 0	2 - 3.5	6 - 5 *	1 - 7.0	3 - 11.0		318	26 - 6			3 - 10.0	9 - 5.0	2 - 10.5*	6 - 11.0*
138	11 - 6	2 - 4.5	6 - 9	1 - 8.0	4 - 1.0		324	27 - 0			3 - 11.0	9 - 7.0	2 - 10.5	7 - 1.0
144	12 - 0	2 - 6.0	7 - 0 *	1 - 9.0	4 - 3.0	1 - 3.0*	330	27 - 6			4 - 0.0	9 - 9.0	3 - 0.0*	7 - 2.0*
150	12 - 6	2 - 7.0	7 - 4	1 - 10.0	4 - 5.0*	1 - 4.5*	336	28 - 0			4 - 0.5	9 - 11.5	3 - 0.0	7 - 4.0
156	13 - 0	2 - 8.5	7 - 7 *	1 - 10.5	4 - 7.5	1 - 4.5	342	28 - 6			4 - 1.5	10 - 1.5	3 - 0.0*	7 - 6.0*
162	13 - 6	2 - 9.5	7 - 11	1 - 11.5	4 - 9.5	1 - 6.0*	348	29 - 0			4 - 2.5	10 - 3.5	3 - 1.5*	7 - 7.0
168	14 - 0	2 - 11.0	8 - 2 *	2 - 0.5	4 - 11.5	1 - 6.0	354	29 - 6			4 - 3.5	10 - 5.5	3 - 1.5*	7 - 9.0*
174	14 - 6	3 - 0.0	8 - 6	2 - 1.0	5 - 2.0	1 - 6.0*	360	30 - 0			4 - 4.0	10 - 8.0	3 - 3.0*	7 - 10.0*
180	15 - 0	3 - 1.5	8 - 9 *	2 - 2.0	5 - 4.0	1 - 7.5	366	30 - 6			4 - 5.0	10 - 10.0	3 - 3.0	8 - 0.0
186	15 - 6	3 - 2.5	9 - 1	2 - 3.0	5 - 6.0	1 - 7.5*	372	31 - 0			4 - 6.0	11 - 0.0	3 - 4.5*	8 - 1.0*
192	16 - 0	3 - 3.5	9 - 5 *	2 - 4.0	5 - 8.0	1 - 9.0*	378	31 - 6			4 - 7.0	11 - 2.0	3 - 4.5	8 - 3.0
198	16 - 6	3 - 5.0	9 - 8	2 - 4.5	5 - 10.5	1 - 9.0	384	32 - 0			4 - 7.5	11 - 4.5	3 - 4.5*	8 - 5.0*
204	17 - 0	3 - 6.0	10 - 0 *	2 - 5.5	6 - 0.5	1 - 10.5*								

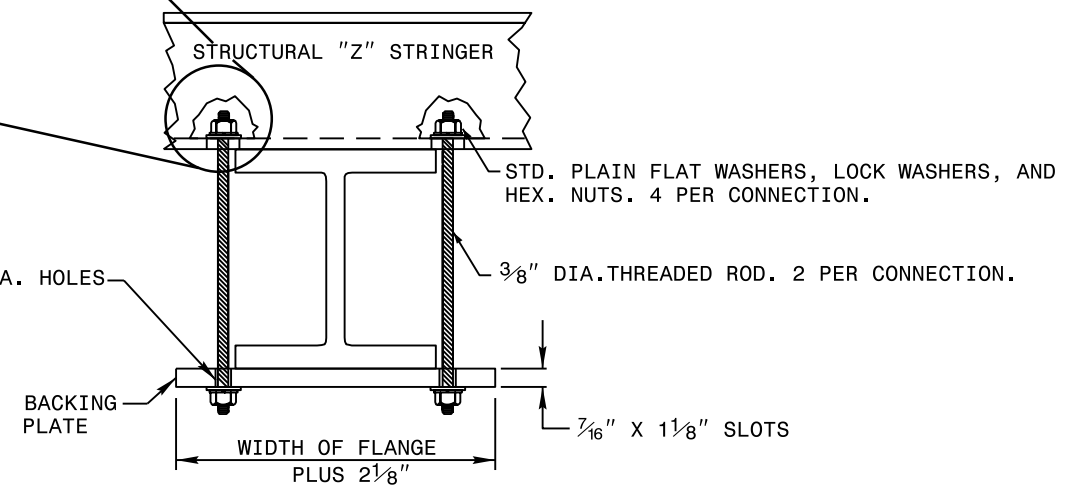
VALUES HAVE BEEN ROUNDED TO NEAREST 1/2 INCH.
 * THESE VALUES HAVE BEEN ADJUSTED TO BALANCE SPACING.
 # MAXIMUM WIDTH FOR 2 SUPPORTS. 250 SQ. FT. MAX. AREA FOR 2 SUPPORTS.
 △ SUPPORTS SPACING NOT APPLICABLE TO OVERHEAD SIGNS.



SIGN SUPPORT SPACING

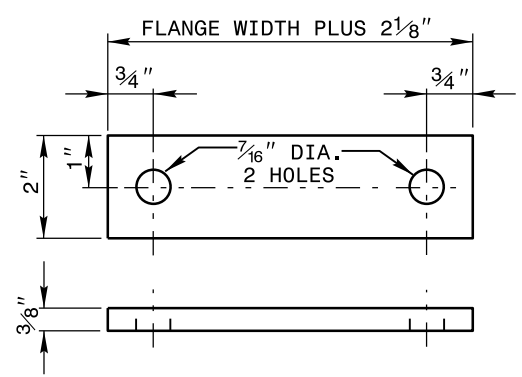


SUPPORT MOUNTING DETAIL



ALTERNATIVE SUPPORT MOUNTING DETAIL

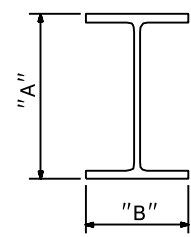
BACKING PLATE DETAIL



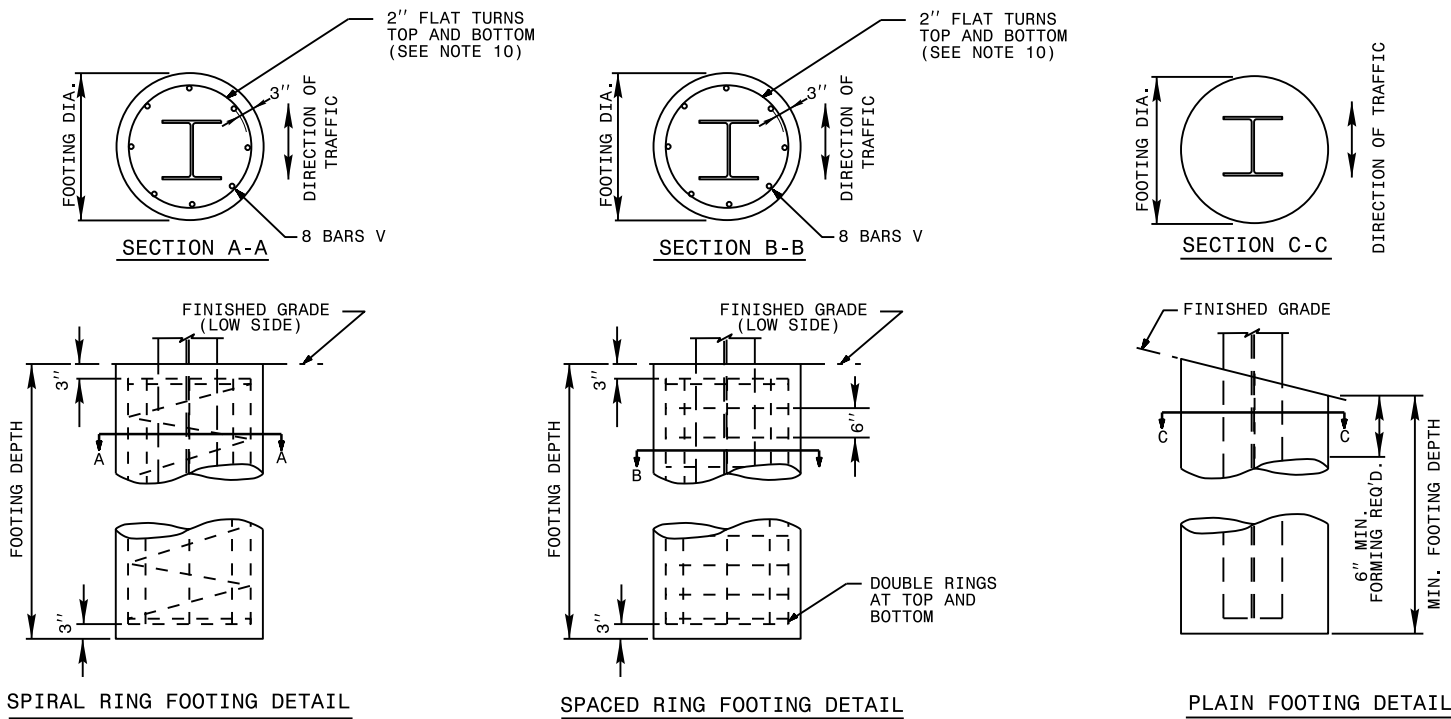
NOTES:

1. THE SUPPORT MOUNTING DETAIL SHOWS A "W" OR "S" BEAM. THIS DETAIL IS ALSO USED FOR MOUNTING SIGNS TO WOOD OR SQUARE TUBE SUPPORTS.
2. USE A36 STEEL FOR BACKING PLATES GALVANIZED IN ACCORDANCE WITH ASTM A123.
3. SEE NCDOT STANDARD SPECIFICATIONS FOR ROADS AND STRUCTURES FOR TYPE OF MATERIAL TO BE USED FOR SIGN HANGER ASSEMBLIES AND SUPPORTS.
4. USE GALVANIZED STEEL FOR MOUNTING BOLTS AND THREADED RODS IN COMPLIANCE WITH ASTM A307 AND ASTM F2329.

SIGN SUPPORTS SECTION DIMENSIONS



SECTION	A	B
S3 X 5.7	3"	2 3/8"
S4 X 7.7	4"	2 5/8"
W6 X 9	6"	4"
W6 X 12	6"	4"
W6 X 16	6 1/4"	4"
W8 X 18	8 1/8"	5 1/4"
W8 X 21	8 1/4"	5 1/4"
W10 X 22	10 1/8"	5 3/4"
W10 X 26	10 3/8"	5 3/4"
W12 X 26	12 1/4"	6 1/2"
W14 X 30	13 7/8"	6 3/4"
W16 X 31	15 7/8"	5 1/2"
W18 X 35	17 3/4"	6"
W18 X 40	17 7/8"	6"
W21 X 44	20 5/8"	6 1/2"



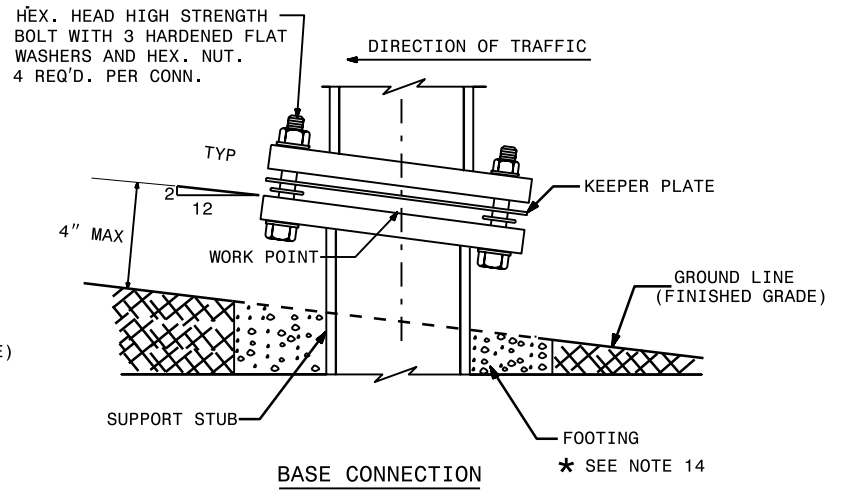
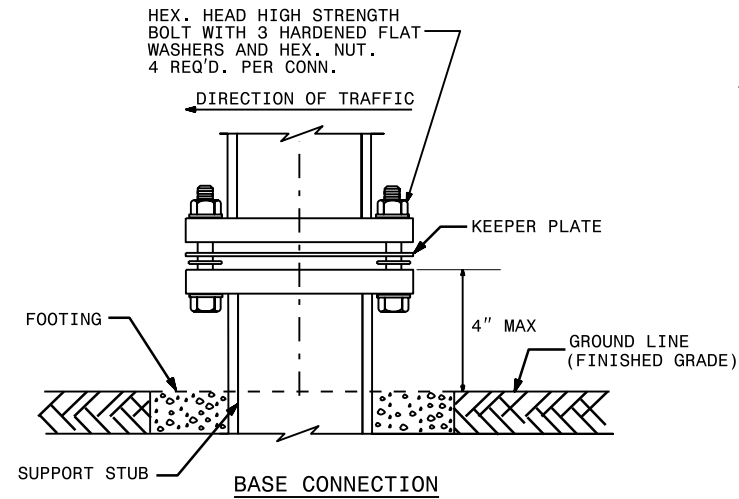
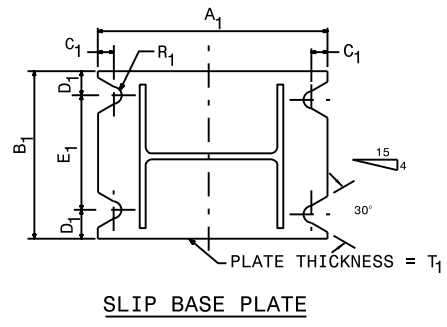
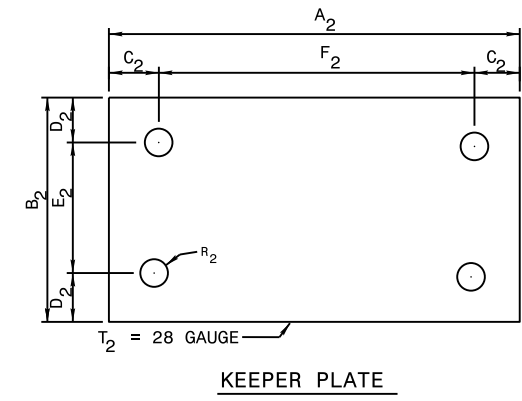
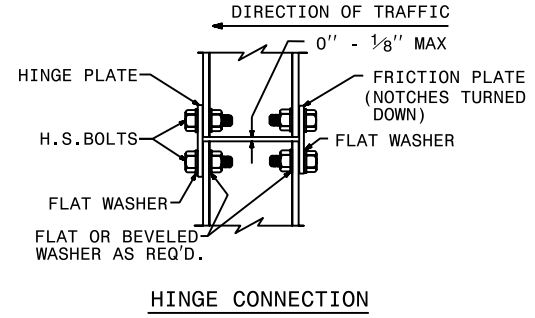
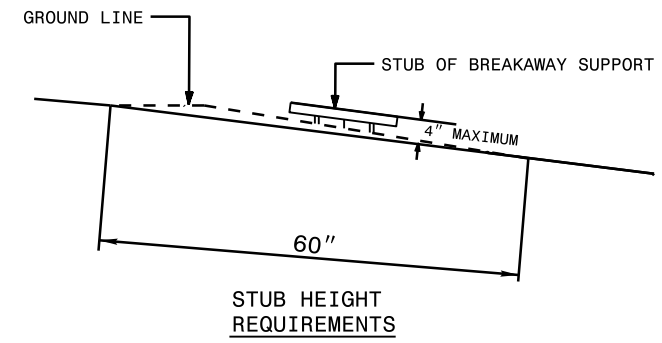
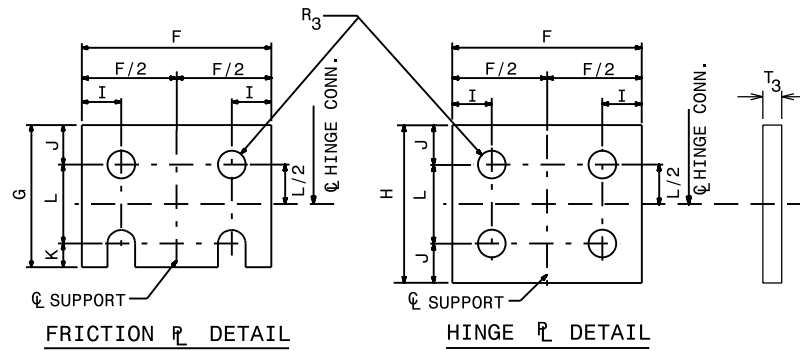
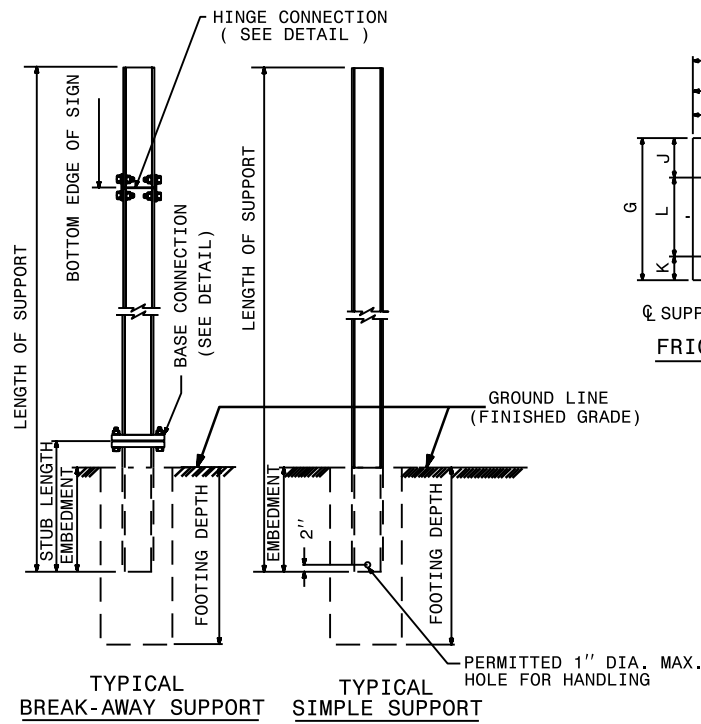
FOUNDATION DATA *			
FOOTING DIAMETER	REINFORCEMENT	SPIRAL BAR	SPACED BAR
1'-6"	8 # 6 BARS	#3 BAR, 6" PITCH	#3 BAR, 6" SPACE
2'	8 # 7 BARS	#3 BAR, 6" PITCH	#3 BAR, 6" SPACE
2'-6"	8 # 9 BARS	#3 BAR, 6" PITCH	#3 BAR, 6" SPACE
3'	8 # 11 BARS	#3 BAR, 6" PITCH	#3 BAR, 6" SPACE
3'-6"	8 # 12 BARS	#3 BAR, 6" PITCH	#3 BAR, 6" SPACE
4'	8 # 14 BARS	#3 BAR, 6" PITCH	#3 BAR, 6" SPACE

* FOUNDATION DIMENSIONS ARE SHOWN IN PLANS

REINFORCED FOOTINGS DETAILS

NOTES:

1. USE REINFORCED FOOTINGS WITH DIMENSIONS AS SHOWN IN PLANS. WHERE SOLID ROCK IS ENCOUNTERED, THE ENGINEER DIRECTS WHETHER TO PLACE THE FOOTING AT THE PRESCRIBED DEPTH OR EXTEND IT AT LEAST TWO FEET INTO THE ROCK. CONSTRUCT ALL FOOTINGS OF CLASS A CONCRETE.
2. FORM TOP 6" OF FOOTINGS. ENGINEER APPROVES THE METHOD USED.
3. THE FINAL FLAT TURN OF SPIRAL OR HOOPS NO. 3 OR LARGER PLACED 3" FROM TOP AND BOTTOM OF FOOTING MAY BE WELDED TO VERTICAL REINFORCING BARS. NO OTHER WELDING WILL BE PERMITTED.
4. SHAPE THE TOPS OF THE FOOTINGS TO CONFORM WITH FINISHED GROUND ELEVATIONS SUCH THAT WATER WILL NOT COLLECT AGAINST THE SUPPORTS.
5. IF THE GROUNDWATER IS ENCOUNTERED AT A DEPTH SHALLOWER THAN 7 FEET, THE SIGN FOUNDATION MUST BE REDESIGNED BASED UPON THE ACTUAL FIELD CONDITIONS. THE FOUNDATION DESIGN DOES NOT APPLY TO VERY SOFT OR LOOSE SOIL, MUCK, WEATHERED ROCK, OR HARD ROCK.



SEE SHEET 2 OF 3 FOR
 BASE CONNECTION DATA
 HINGE CONNECTION DATA
 & FOUNDATION DATA.
 SEE SHEET 3 OF 3 FOR
 GENERAL NOTES.

BEAM SHAPE	SLIP BASE PLATE DATA								KEEPER PLATE DATA								HINGE CONNECTION DATA								BREAK AWAY SUPPORT WEIGHT CONSTANT LBS.	
	BOLT SIZE	A ₁	B ₁	C ₁	D ₁	E ₁	T ₁	R ₁	A ₂	B ₂	C ₂	D ₂	E ₂	R ₂	T ₂	BOLT SIZE	F	G	H	I	J	K	L	R ₃		T ₃
S3X5.7	1/2"DIA.X 3/4"	7"	4"	1"	3/4"	2 1/2"	1"	9/32"	7"	4"	1"	3/4"	2 1/2"	9/32"	28 GAUGE	1/2"DIA.X1 3/4"	2 1/4"	3 1/2"	4"	1/2"	1"	1/2"	2"	9/32"	3/8"	18
S4X7.7	1/2"DIA.X 3/4"	8"	4"	1"	3/4"	2 1/2"	1"	9/32"	8"	4"	1"	3/4"	2 1/2"	9/32"	28 GAUGE	1/2"DIA.X1 3/4"	2 5/8"	3 1/2"	4"	1/2"	1"	1/2"	2"	9/32"	3/8"	20
W6X9	1/2"DIA.X 3/4"	10"	5"	1"	3/4"	3 1/2"	1"	9/32"	10"	5"	1"	3/4"	3 1/2"	9/32"	28 GAUGE	1/2"DIA.X1 3/4"	4"	3 1/2"	4"	3/4"	1"	1/2"	2"	9/32"	3/8"	32
W6X12	5/8"DIA.X 4"	11"	5"	1 1/4"	7/8"	3 1/4"	1 1/4"	1 1/32"	11"	5"	1 1/4"	7/8"	3 1/4"	1 1/32"	28 GAUGE	5/8"DIA.X 2"	4"	4"	4 1/2"	3/4"	1 1/8"	5/8"	2 1/4"	1 1/32"	3/8"	39
W6X16	5/8"DIA.X 4 1/2"	12"	6"	1 1/4"	7/8"	4 1/4"	1 1/2"	1 1/32"	12"	6"	1 1/4"	7/8"	4 1/4"	1 1/32"	28 GAUGE	5/8"DIA.X2 1/4"	4"	4"	4 1/2"	3/4"	1 1/8"	5/8"	2 1/4"	1 1/32"	1/2"	47
W8X18	5/8"DIA.X 4 1/2"	13 1/2"	6 1/2"	1 1/4"	7/8"	4 3/4"	1 1/2"	1 1/32"	13 1/2"	6 1/2"	1 1/4"	7/8"	4 3/4"	1 1/32"	28 GAUGE	5/8"DIA.X2 1/4"	5 1/4"	4"	4 1/2"	1"	1 1/8"	5/8"	2 1/4"	1 1/32"	1/2"	70
W8X21	3/4"DIA.X 4 1/2"	14"	7"	1 1/2"	1"	5"	1 1/2"	1 3/32"	14"	7"	1 1/2"	1"	5"	1 3/32"	28 GAUGE	3/4"DIA.X2 1/2"	5 1/4"	6"	7"	1"	1 3/4"	3/4"	3 1/2"	1 3/32"	1/2"	73
W10X22	3/4"DIA.X 4 1/2"	16"	8"	1 1/2"	1"	6"	1 1/2"	1 3/32"	16"	8"	1 1/2"	1"	6"	1 3/32"	28 GAUGE	3/4"DIA.X2 1/2"	5 3/4"	6"	7"	1"	1 3/4"	3/4"	3 1/2"	1 3/32"	1/2"	119
W10X26	3/4"DIA.X 5 1/2"	16 1/2"	8"	1 1/2"	1"	6"	1 3/4"	1 3/32"	16 1/2"	8"	1 1/2"	1"	6"	1 3/32"	28 GAUGE	3/4"DIA.X2 3/4"	5 3/4"	6"	7"	1"	1 3/4"	3/4"	3 1/2"	1 3/32"	5/8"	140
W12X26	3/4"DIA.X 5 1/2"	18 1/2"	9"	1 1/2"	1"	7"	1 3/4"	1 3/32"	18 1/2"	9"	1 1/2"	1"	7"	1 3/32"	28 GAUGE	3/4"DIA.X2 3/4"	6 1/2"	6"	7"	1"	1 3/4"	3/4"	3 1/2"	1 3/32"	5/8"	176
W14X30	1"DIA.X 6"	22"	9"	2"	1 1/2"	6"	2"	1 7/32"	22"	9"	2"	1 1/2"	6"	1 7/32"	28 GAUGE	1"DIA.X 3"	6 3/4"	7"	8"	1 1/4"	2"	1"	4"	1 7/32"	5/8"	205
W16X31	1"DIA.X 6"	24"	9"	2"	1 1/2"	6"	2"	1 7/32"	24"	9"	2"	1 1/2"	6"	1 7/32"	28 GAUGE	1"DIA.X 3"	5 1/2"	7"	8"	1 1/4"	2"	1"	4"	1 7/32"	3/4"	223
W18X35	1"DIA.X 6"	25"	9"	2"	1 1/2"	6"	2"	1 7/32"	25"	9"	2"	1 1/2"	6"	1 7/32"	28 GAUGE	1"DIA.X 3"	6"	7"	8"	1 1/4"	2"	1"	4"	1 7/32"	3/4"	243
W18X40	1"DIA.X 6 1/2"	26"	9"	2"	1 1/2"	6"	2 1/4"	1 7/32"	26"	9"	2"	1 1/2"	6"	1 7/32"	28 GAUGE	1"DIA.X3 1/2"	6"	7"	8"	1 1/4"	2"	1"	4"	1 7/32"	7/8"	278
W21X44	1"DIA.X 7"	29"	9"	2"	1 1/2"	6"	2 1/2"	1 7/32"	29"	9"	2"	1 1/2"	6"	1 7/32"	28 GAUGE	1"DIA.X3 1/2"	6 1/2"	7"	8"	1 1/4"	2"	1"	4"	1 7/32"	7/8"	310

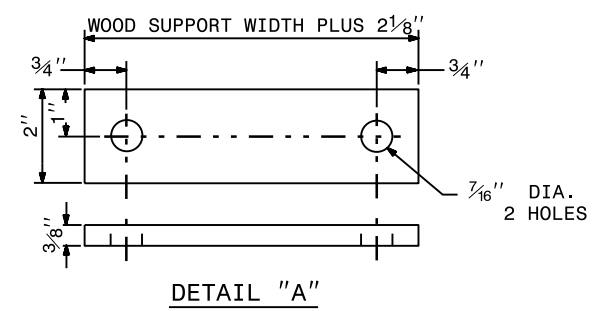
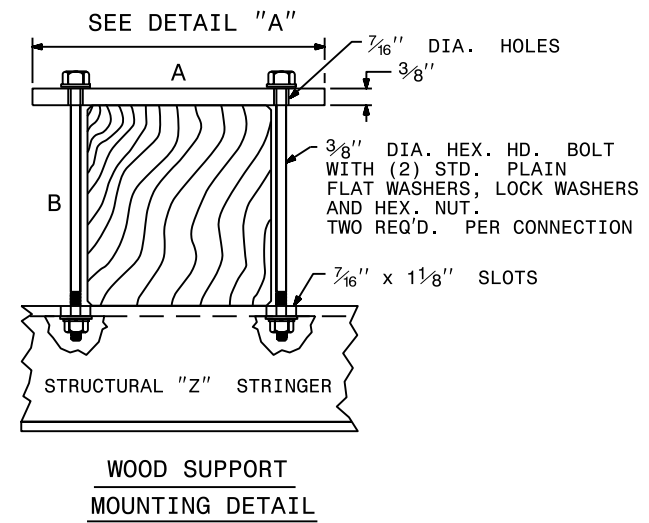
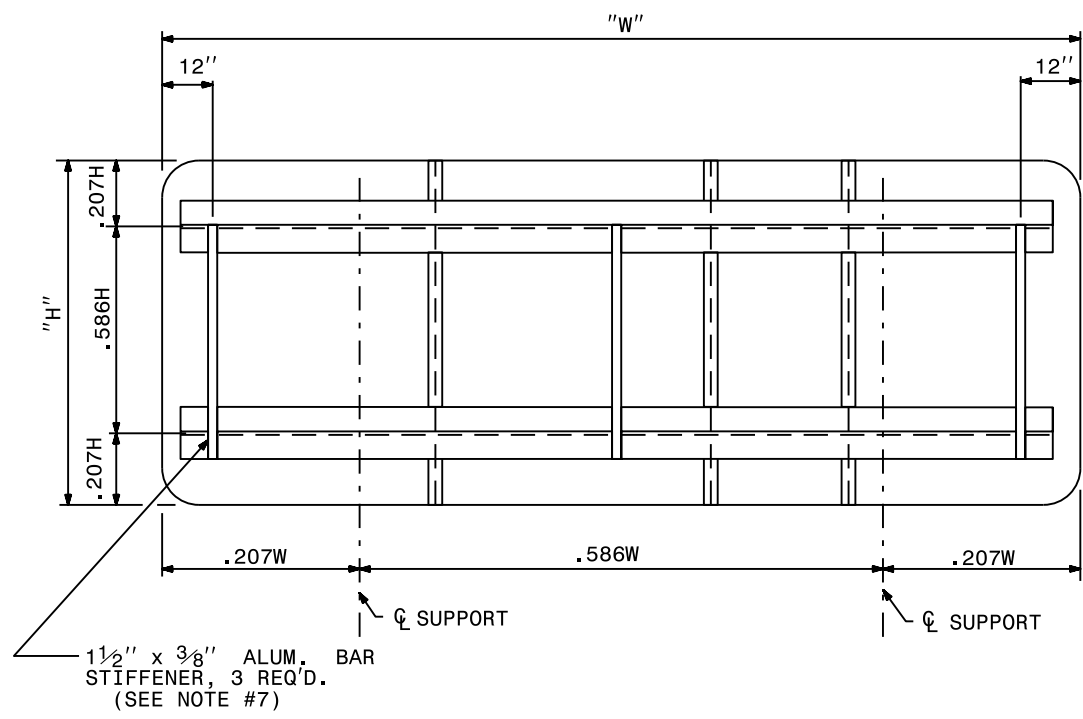
NOTES:

1. DESIGN CONFORMS WITH THE SPECIFICATIONS FOR THE DESIGN AND CONSTRUCTION OF STRUCTURAL SUPPORTS FOR HIGHWAY SIGNS - AASHTO.
2. USE MATERIALS, FABRICATE AND ERECT SIGNS AND SUPPORTS THAT CONFORM TO THE NORTH CAROLINA DEPARTMENT OF TRANSPORTATION STANDARD SPECIFICATIONS FOR ROADS AND STRUCTURES.
3. USE HIGH STRENGTH BOLTS, NUTS AND WASHERS THAT CONFORM TO ASTM A-325 AND THAT ARE GALVANIZED IN ACCORDANCE WITH ASTM F2329 OR B695 CLASS 55.
4. USE BACKING PLATES, SLIP BASE PLATES, FRICTION PLATES, AND HINGE PLATES THAT CONFORM TO ASTM A-36 AND THAT ARE GALVANIZED IN ACCORDANCE WITH ASTM A-123 PRIOR TO GALVANIZING, GRIND SMOOTH ANY METAL PROJECTION BEYOND THE PLATE FACE. KEEPER PLATES SHALL BE MANUFACTURED FROM 28 GAUGE SHEET STEEL THAT CONFORMS TO ASTM A-36 AND IS GALVANIZED IN ACCORDANCE WITH ASTM A-123
5. ASSEMBLE HINGE CONNECTIONS IN THE SHOP. THE SHOP SHALL TIGHTEN BOLTS BY USE OF EITHER A CALIBRATED POWER WRENCH OR A MANUAL TORQUE WRENCH. TIGHTEN EACH HINGE CONNECTION BOLT TO 1/3 PAST SNUG.
6. BASE PLATES DETAILS ARE FOR INSTALLATIONS ON THE RIGHT SHOULDER AND IN GORE AREAS.
7. ASSEMBLE UPPER SUPPORT TO STUB AS SHOWN IN DETAIL. SLIP BASE PLATES SHALL BE FILLET WELDED ONTO SUPPORTS ALL AROUND THE STRUCTURAL SHAPE SO AS TO INSURE NO LOSS OF STRENGTH. ASSEMBLE IN EITHER SHOP OR FIELD. 28 GAUGE KEEPER PLATE IS PLACED BETWEEN SLIP BASE PLATES TO PREVENT BOLT SLIPPING. TIGHTEN BOLTS TO THE FOLLOWING PRESCRIBED TORQUE:

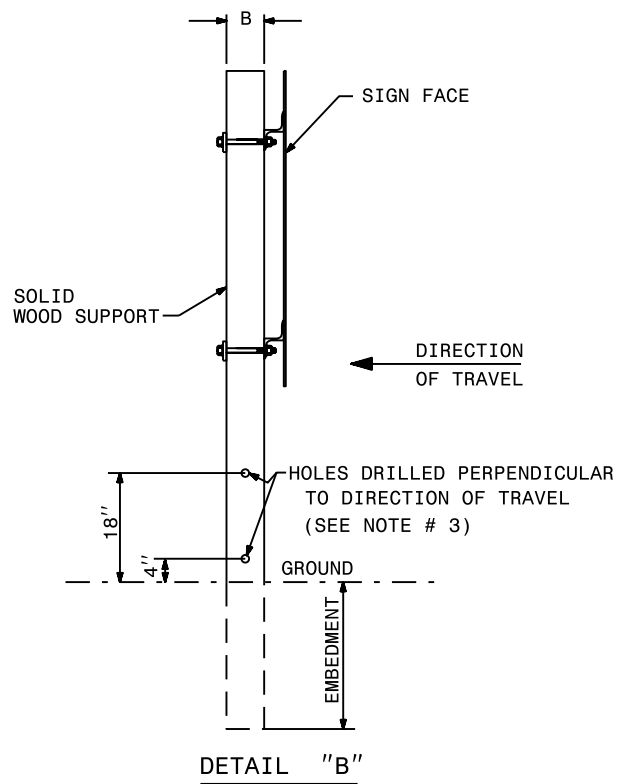
BOLT DIAMETER	TORQUE (LB. FT.)
1/2"	9
3/8"	22
5/8"	37
1"	48

COMPLETELY ASSEMBLE BREAKAWAY SUPPORTS PRIOR TO ERECTION. BREAKAWAY SUPPORT TO BE SET IN ONE PIECE. AFTER SUPPORT HAS BEEN ERECTED AND THE CONCRETE FOOTINGS HAS CURED AT LEAST 48 HOURS, CLEAN CONCRETE FROM BASE CONNECTION BOLTS THEN LOOSEN AND RE TIGHTEN EACH BOLT IN A SYSTEMATIC ORDER TO THE PRESCRIBED TORQUE. DO NOT OVER TIGHTEN. BURR ALL BOLT THREADS OF BASE CONNECTIONS TO PREVENT LOOSENING.

8. ELIMINATE HINGE CONNECTION FOR ALL SINGLE SUPPORT SIGNS.
9. DETAIL IS FOR ONE DIRECTION BREAKAWAY. WHEN PLANS REQUIRE A TWO DIRECTION BREAKAWAY, TWO FRICTION PLATES SHALL BE USED IN LIEU OF ONE FRICTION PLATE AND ONE HINGE PLATE.



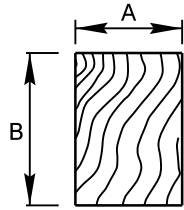
- NOTES:
- USE THE SIZE, NUMBER, LENGTH AND TYPE OF SUPPORTS SHOWN IN THE PLANS. USE WOOD SUPPORTS THAT CONFORM TO SECTION 1082 OF THE NCDOT STANDARD SPECIFICATIONS FOR ROADS AND STRUCTURES.
 - MOUNT ALL WOOD SUPPORTS THAT DO NOT HAVE DRILLED HOLES BEHIND GUARDRAIL, EXCEPT THE 4" X 4" WOOD SUPPORTS.
 - FOR WOOD SUPPORTS, DRILL THE BOTTOM HOLE 4" ABOVE THE GROUND AND THE TOP HOLE 18" ABOVE THE GROUND (SEE DETAIL "B"). SEE CHART FOR SUPPORT SIZES AND DRILLED HOLE SIZES. DRILL HOLES PERPENDICULAR TO THE DIRECTION OF TRAVEL. DUAL SUPPORTS MUST BE AT LEAST 7 FEET APART.
 - LOCATE ALL WOOD SUPPORTS THAT ARE 8" X 8" EITHER BEHIND GUARDRAIL OR LOCATED SO THAT THE SUPPORTS COULD NOT BE HIT BY TRAFFIC.
 - FURNISH ALL MOUNTING HARDWARE.
 - USE GALVANIZED STEEL BACKING PLATES AND MOUNTING BOLTS.
 - ADJUST STIFFENERS TO AVOID CONFLICTS WITH SUPPORTS.
 - DRILL HOLES IN THE CENTER OF THE SUPPORTS
 - IF SIGN ASSEMBLIES REQUIRE MORE THAN TWO WOOD SUPPORTS, THE SUPPORTS SHALL BE PLACED A MINIMUM OF 4 FT. BETWEEN SUPPORTS. NO MORE THAN TWO SUPPORTS SHALL FALL WITHIN 7 FT. PATH, OR THE SIGN ASSEMBLY MUST BE PLACED BEHIND BARRIER PROTECTION.



SUPPORT SIZE AND DRILLED HOLE SIZE

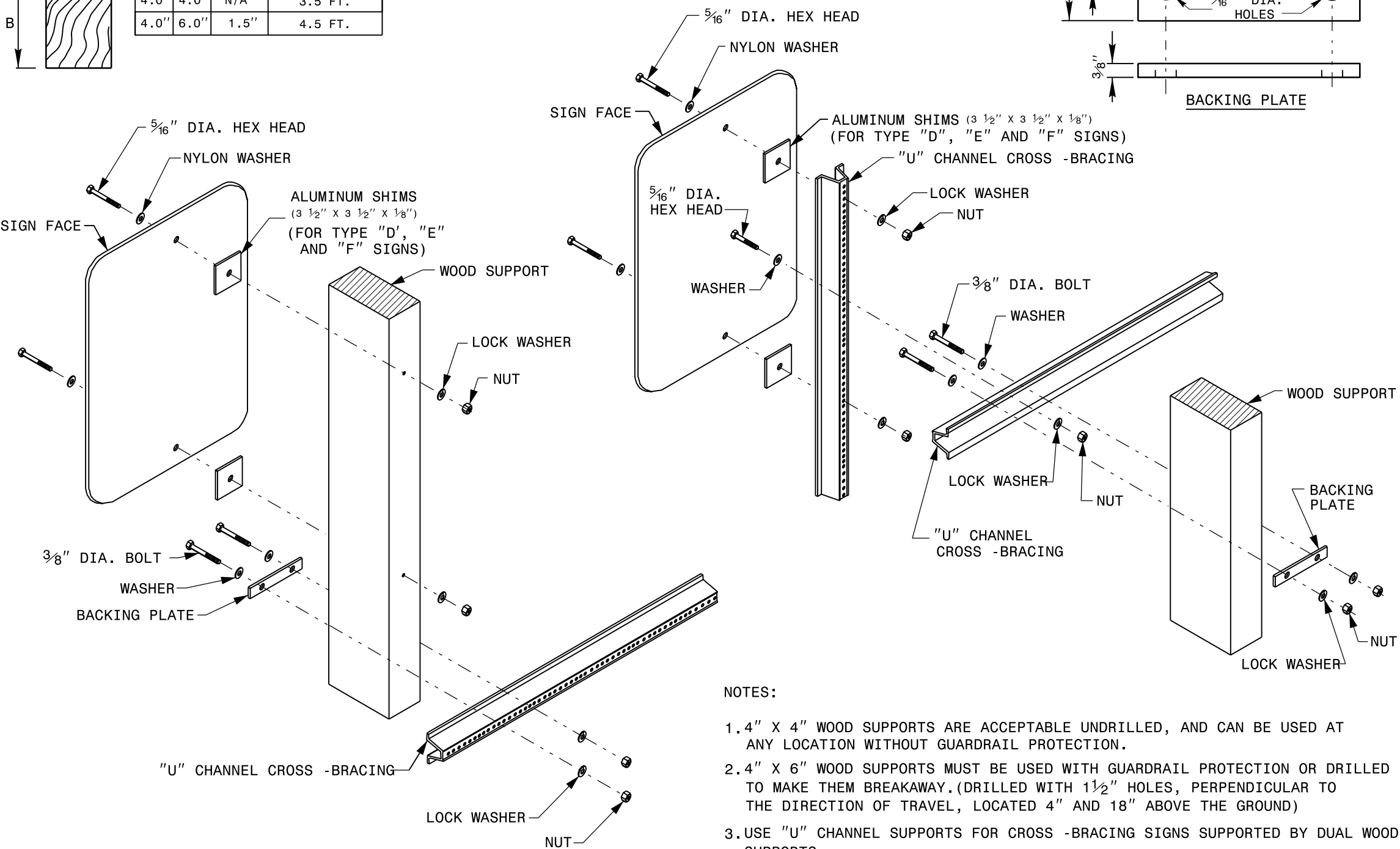
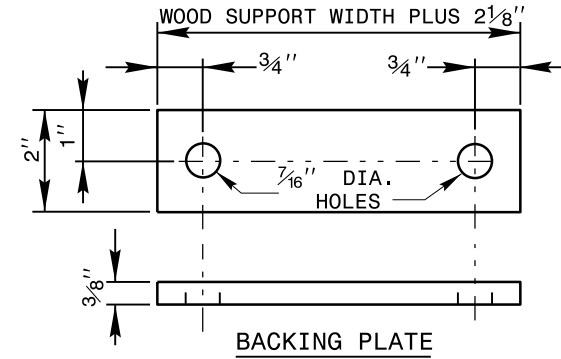
	A	B	HOLE SIZE	EMBEDMENT
	4.0"	4.0"	N/A	3.5 FT.
	4.0"	6.0"	1.5"	4.5 FT.
	6.0"	6.0"	2.0"	5.25 FT.
	6.0"	8.0"	3.0"	6.0 FT.
	8.0"	8.0"	N/A	6.5 FT.
M	8.0"	8.0"	SEE DETAIL	6.5 FT.
L	8.0"	15.0"	SEE DETAIL	6.5 FT.

SUPPORT SIZE AND DRILLED HOLE SIZE



A	B	HOLE SIZE	EMBEDMENT
4.0"	4.0"	N/A	3.5 FT.
4.0"	6.0"	1.5"	4.5 FT.

ATTACHMENT METHODS

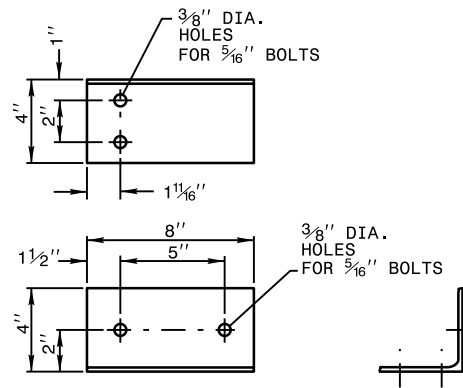


NOTES:

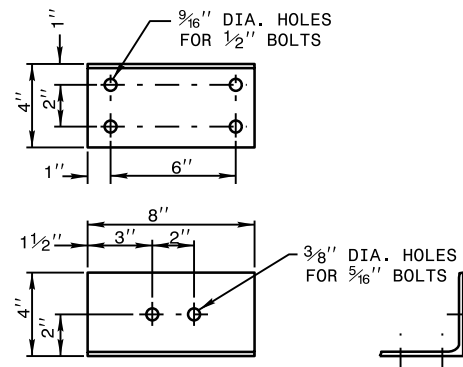
- 1.4" X 4" WOOD SUPPORTS ARE ACCEPTABLE UNDRILLED, AND CAN BE USED AT ANY LOCATION WITHOUT GUARDRAIL PROTECTION.
- 2.4" X 6" WOOD SUPPORTS MUST BE USED WITH GUARDRAIL PROTECTION OR DRILLED TO MAKE THEM BREAKAWAY.(DRILLED WITH 1 1/2" HOLES, PERPENDICULAR TO THE DIRECTION OF TRAVEL, LOCATED 4" AND 18" ABOVE THE GROUND)
- 3.USE "U" CHANNEL SUPPORTS FOR CROSS -BRACING SIGNS SUPPORTED BY DUAL WOOD SUPPORTS.

STATE OF NORTH CAROLINA
DEPT. OF TRANSPORTATION
DIVISION OF HIGHWAYS
RALEIGH, N.C.

1-24
ROADWAY STANDARD DRAWING FOR
MOUNTING OF TYPE 'D', 'E', AND 'F' SIGNS ON WOOD SUPPORTS
SHEET 2 OF 2
903.20



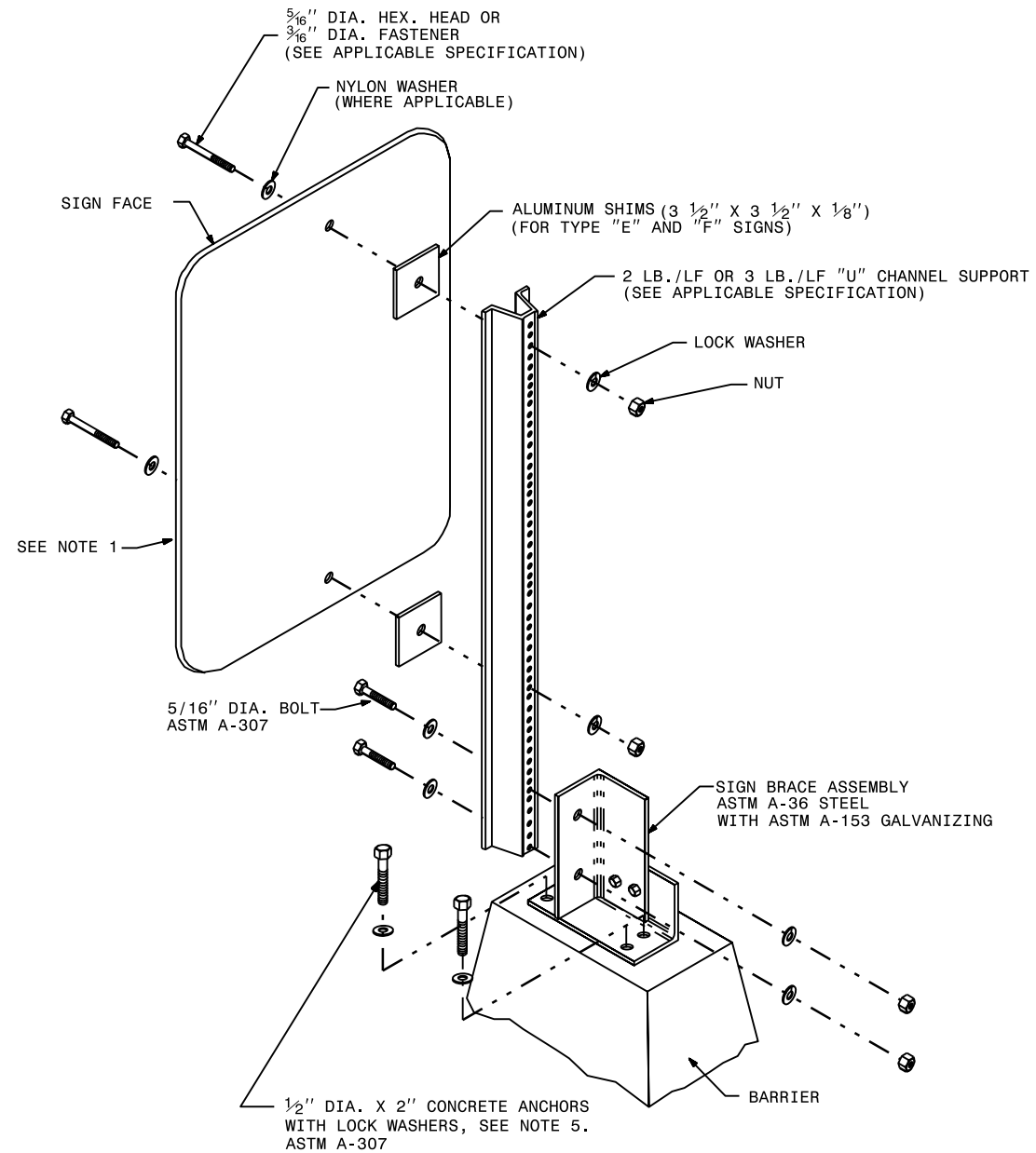
VERTICAL BRACE
4"x4"x1/4" ANGLE

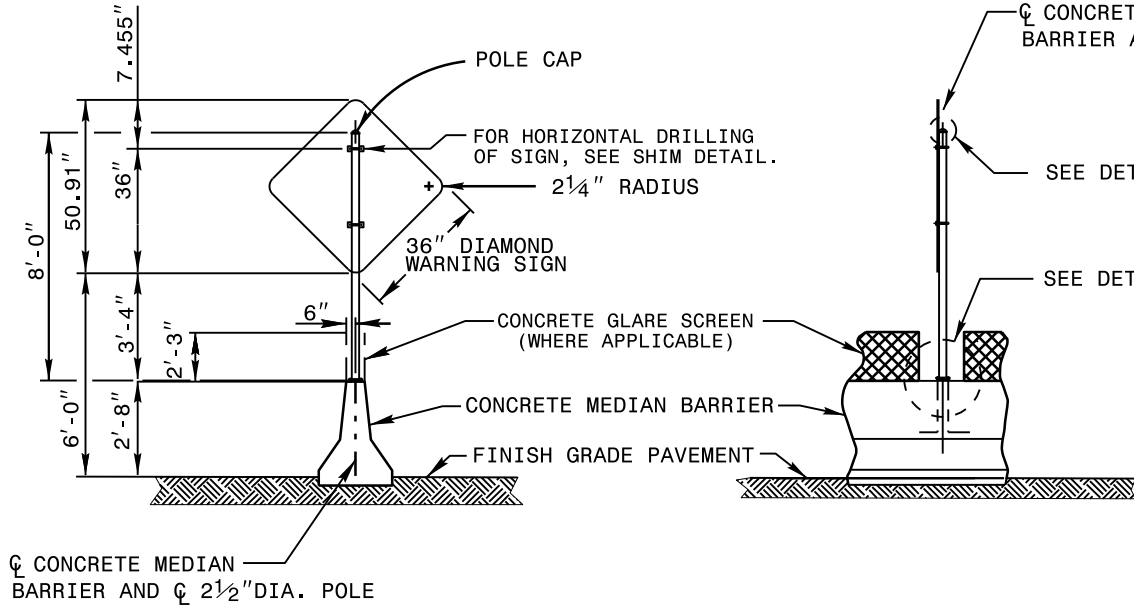


HORIZONTAL BRACE
4"x4"x 5/16" ANGLE

NOTES:

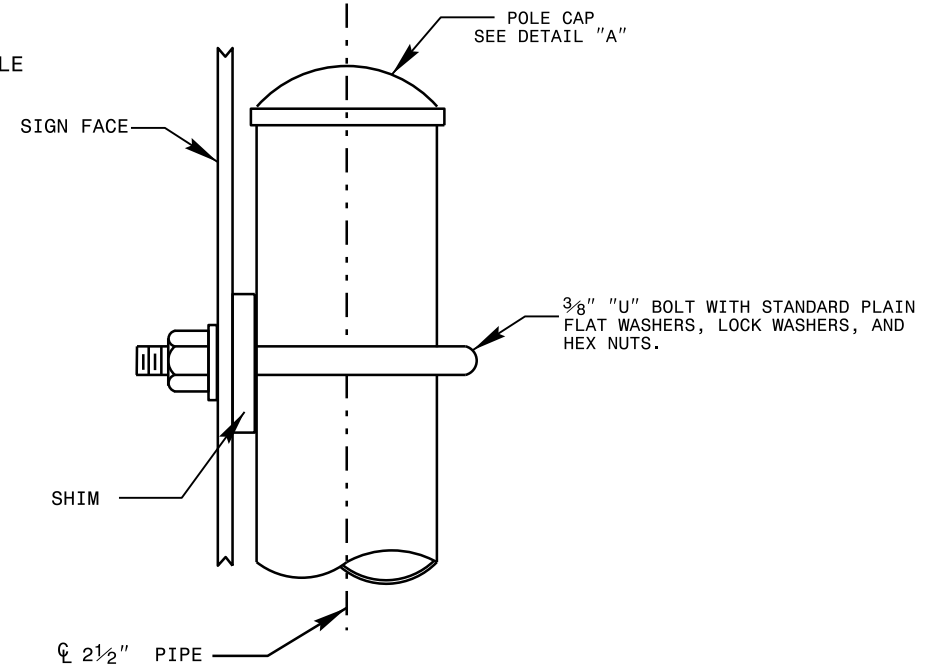
1. MAXIMUM SIGN SIZE IS 9.0 SQUARE FEET IN MAXIMUM WIND VELOCITY OF 80 MPH.
2. ERECT TYPE "E" AND "F" SIGNS WITH THE SAME SPECIFICATIONS AS "TYPICAL INSTALLATION OF SIGNS MOUNTED ON "U" CHANNEL SUPPORTS.
3. ERECT MILE MARKERS WITH THE SAME SPECIFICATIONS AS "MILEPOST DETAILS AND PLACEMENT". SEE ROADWAY STANDARD NUMBER 904.40.
4. APPLICABLE SECTIONS OF THE NCDOT STANDARD SPECIFICATIONS FOR ROADS AND STRUCTURES SHALL BE IN EFFECT.
5. ATTACH THE BRACE TO THE BARRIER BY MEANS OF 1/2" DIAMETER, 2" LONG CONCRETE ANCHORS WITH LOCK WASHERS. USE CONCRETE ANCHORS THAT ARE STAINLESS STEEL OR GALVANIZED IN ACCORDANCE WITH ASTM A-152. INSTALL IN ACCORDANCE WITH MANUFACTURER'S RECOMMENDATIONS.



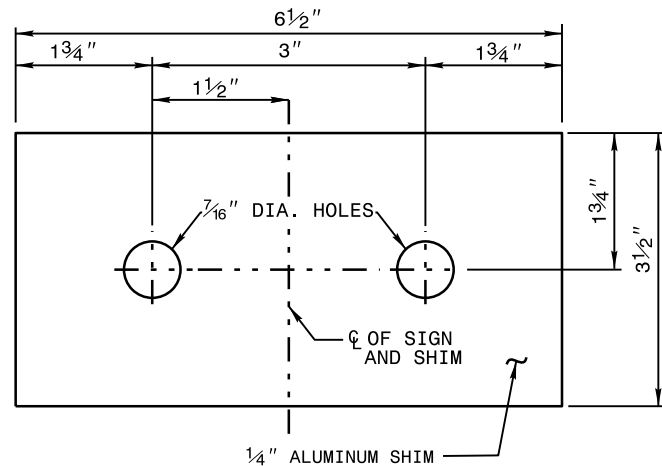


ELEVATION OF REAR VIEW OF WARNING SIGN

ELEVATION OF SIDE VIEW OF WARNING SIGN



PIPE SUPPORT



ALUMINUM SHIM DETAIL

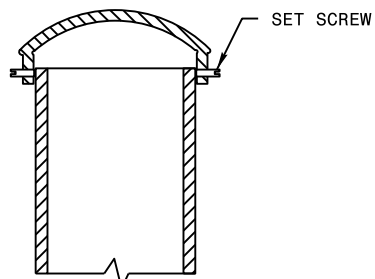
NOTES:

1. FURNISH ONE SET OF SIGN SUPPORTS FOR EACH SIGN.
2. SEE NORTH CAROLINA DEPARTMENT OF TRANSPORTATION SIGN SPECIFICATION SUPPLEMENT FOR THE TYPE OF MATERIAL TO BE USED FOR SIGN SUPPORTS.
3. FURNISH ALL MOUNTING HARDWARE.
4. THE NORTH CAROLINA DEPARTMENT OF TRANSPORTATION WILL FURNISH SIGNS.
5. WELD IN ACCORDANCE WITH THE AWS D1.1 STRUCTURAL WELDING CODE - STEEL.
6. USE ASTM A-36 STEEL GALVANIZED "U" BOLTS AND NUTS IN ACCORDANCE WITH ASTM A-153.
7. USE ASTM A-36 ANCHOR BOLTS, GALVANIZED IN ACCORDANCE WITH ASTM A-153. OVERALL LENGTH OF ANCHOR BOLTS IS 27". ANCHOR BOLT PROJECTION, EMBEDMENT, AND HOOK TO BE AS SHOWN ON PLANS.
OR,
USE 5#8" x 7-5/8" DRILLED ADHESIVE ANCHOR GALVANIZED TO ASTM A-153. EACH ANCHOR SHALL BE PROVIDED WITH TWO (2) NUTS, ONE (1) FLAT WASHER, AND ONE (1) LOCK WASHER.

STATE OF NORTH CAROLINA
 DEPT. OF TRANSPORTATION
 DIVISION OF HIGHWAYS
 RALEIGH, N.C.

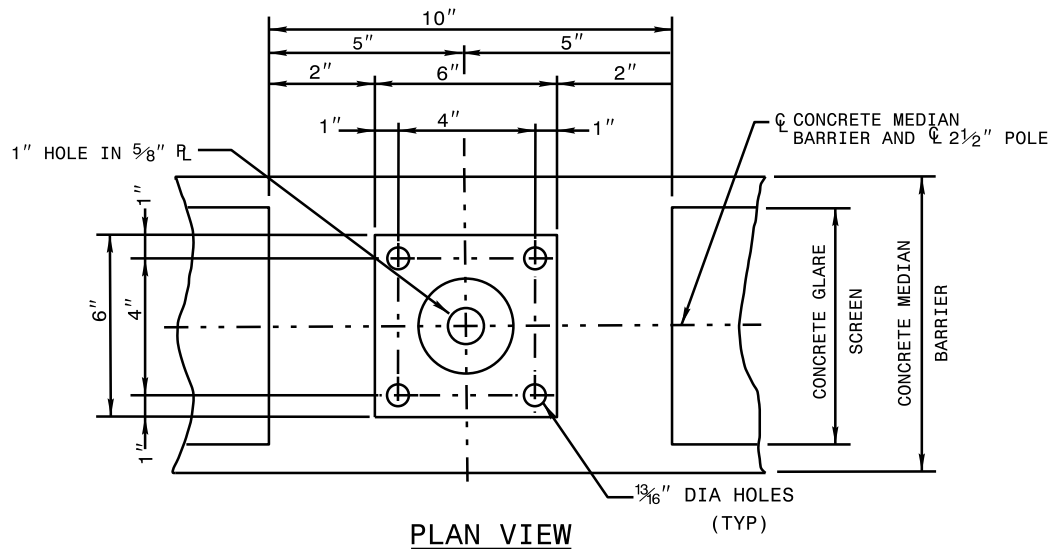
1-24

ROADWAY STANDARD DRAWING FOR
**MEDIAN BARRIER SIGN SUPPORT
 AND ANCHORAGE**

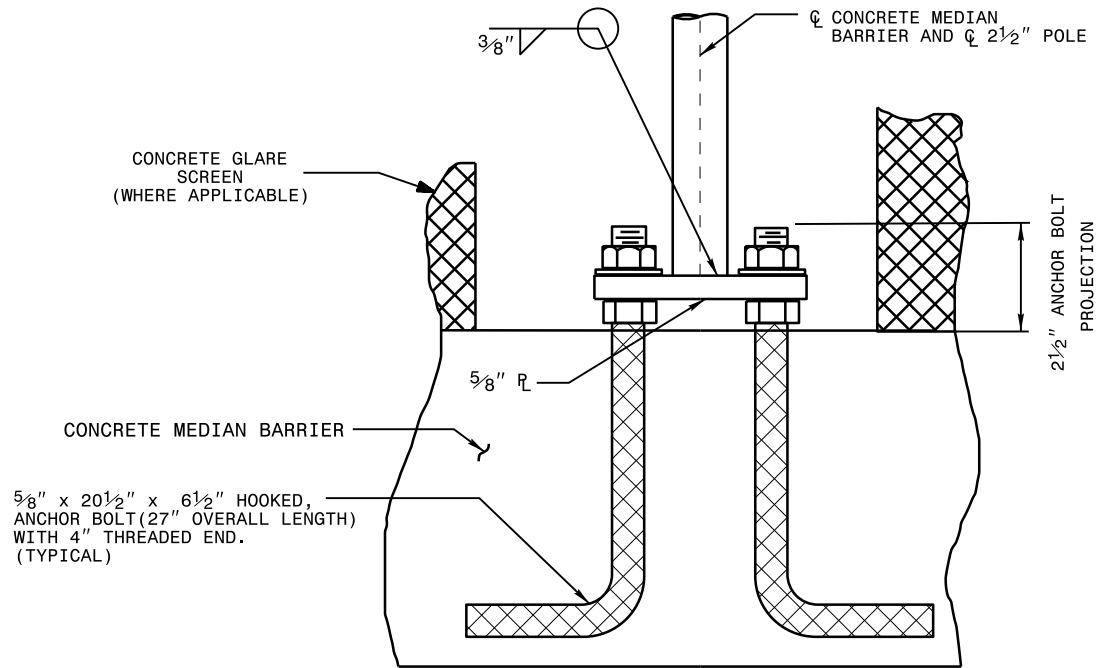


DETAIL "A"

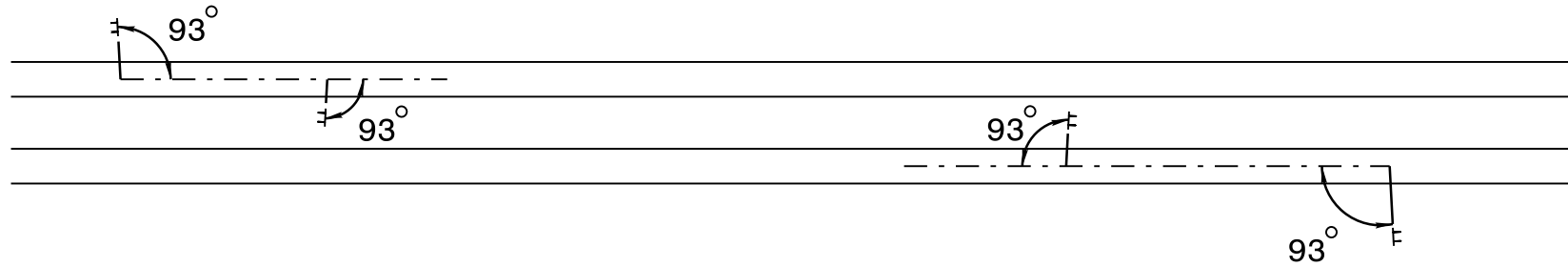
FURNISH ALL TUBE OR PIPE SUPPORTS WITH A CAP. USE EITHER GALVANIZED STEEL OR A CAST ALUMINUM CAP TO MATCH THE MATERIAL OF THE POLE. USE FOUR SET SCREWS FOR ATTACHMENT TO SUPPORT.



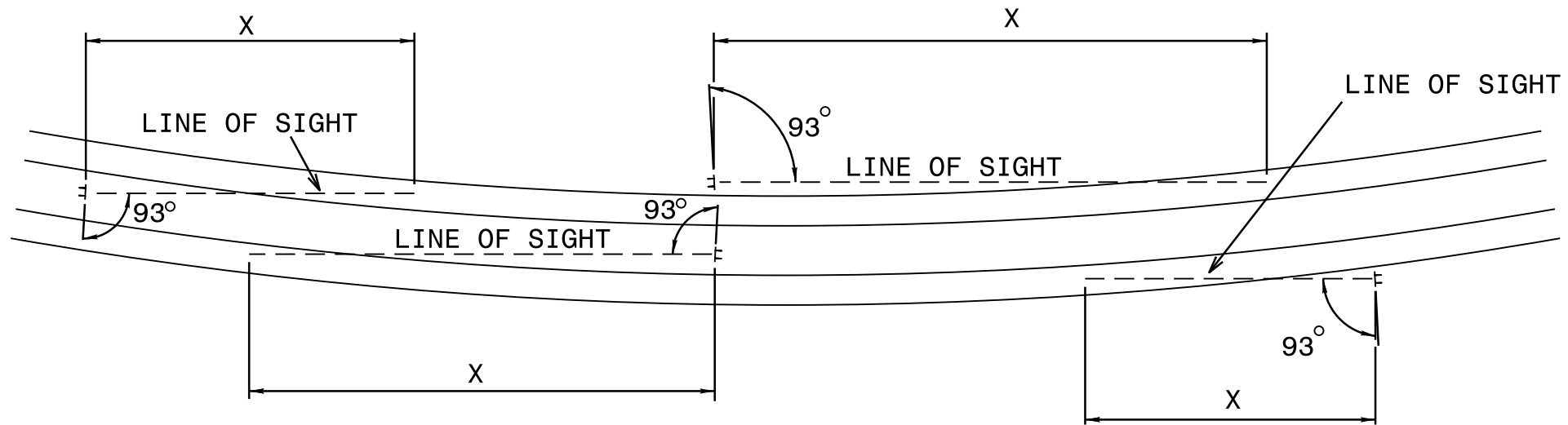
PLAN VIEW

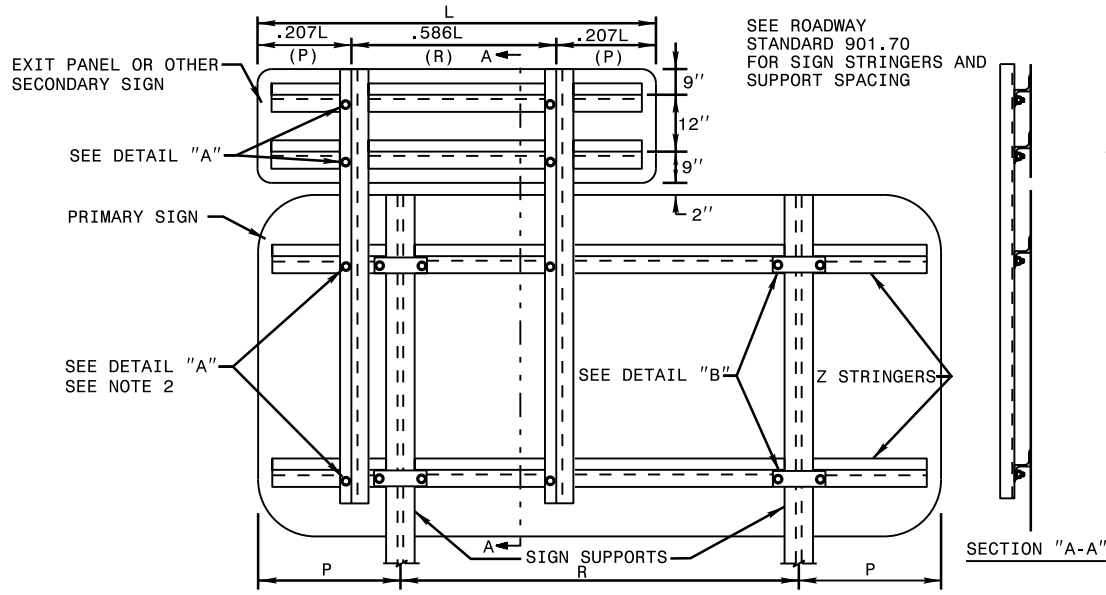


DETAIL "B"
 WITH ANCHOR BOLT DETAIL

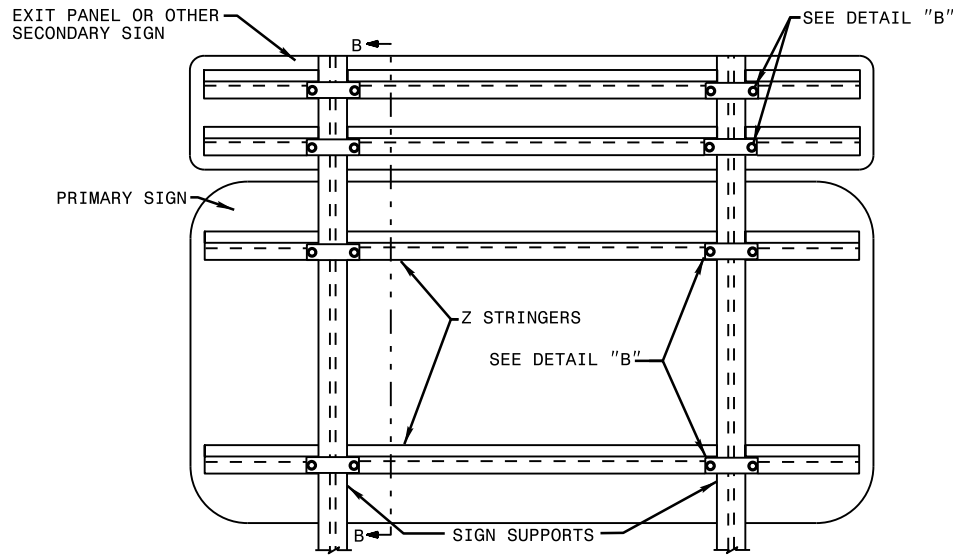


X = (60 FT. PER IN.) (HEIGHT OF LOWER CASE LETTER IN INCHES)
 IF SIGN HAS NO LOWER CASE LETTERS, USE HEIGHT OF
 UPPER CASE OR CAPITAL LETTERS IN MAJOR LINE OF COPY.





ATTACHMENT METHOD ONE RIGHT (1-R) OR ONE LEFT (1-L)
(EXIT PANEL OR OTHER SECONDARY SIGN ATTACHED TO VERTICAL Z SUPPORTS)



ATTACHMENT METHOD TWO (II)
(EXIT PANEL OR OTHER SECONDARY SIGN ATTACHED TO PRIMARY SIGN SUPPORTS)

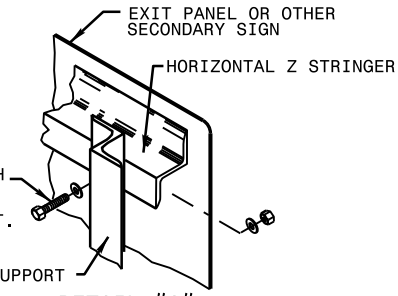
SEE ROADWAY STANDARD 901.70 FOR SIGN STRINGERS AND SUPPORT SPACING

3/8" DIA. HEX. BOLT WITH STD. PLAIN FLAT WASHERS, LOCK WASHER AND HEX. NUT.

VERTICAL Z SUPPORT

DETAIL "A"

CONNECTION OF HORIZONTAL Z STRINGER AND VERTICAL Z SUPPORT.

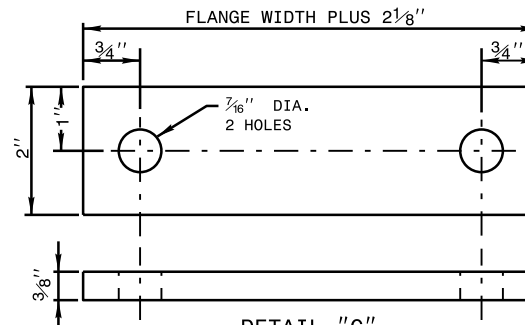
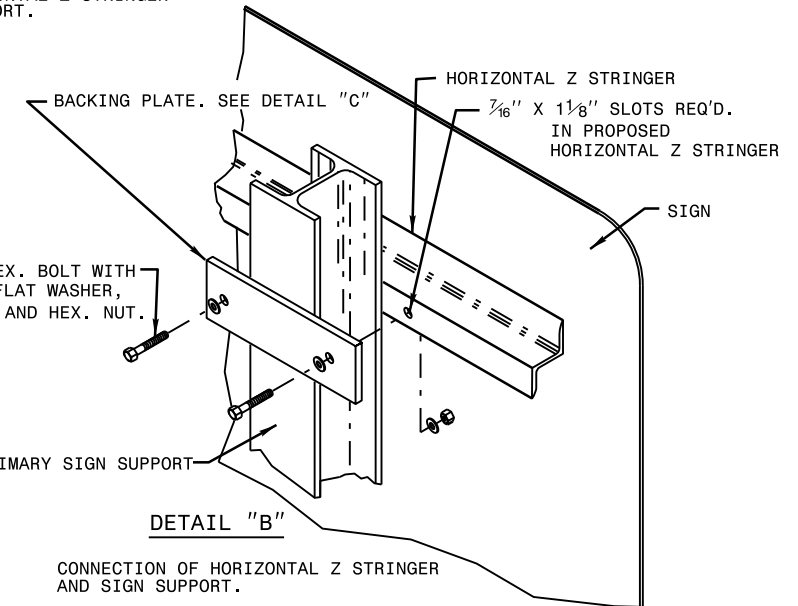


3/8" DIA. HEX. BOLT WITH STD. PLAIN FLAT WASHER, LOCK WASHER AND HEX. NUT.

PRIMARY SIGN SUPPORT

DETAIL "B"

CONNECTION OF HORIZONTAL Z STRINGER AND SIGN SUPPORT.

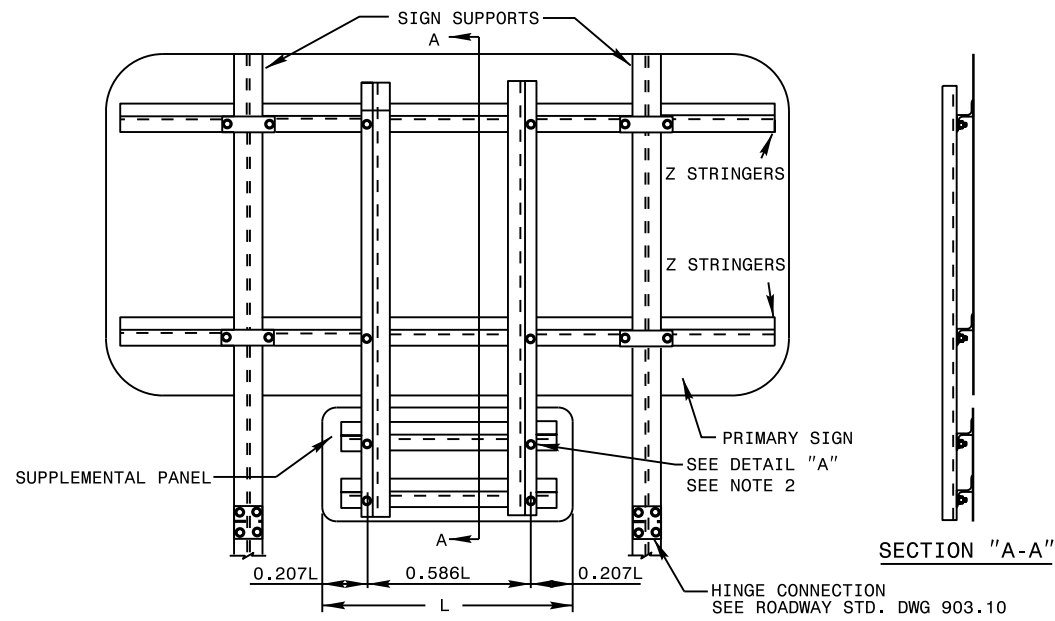


DETAIL "C"
BACKING PLATE

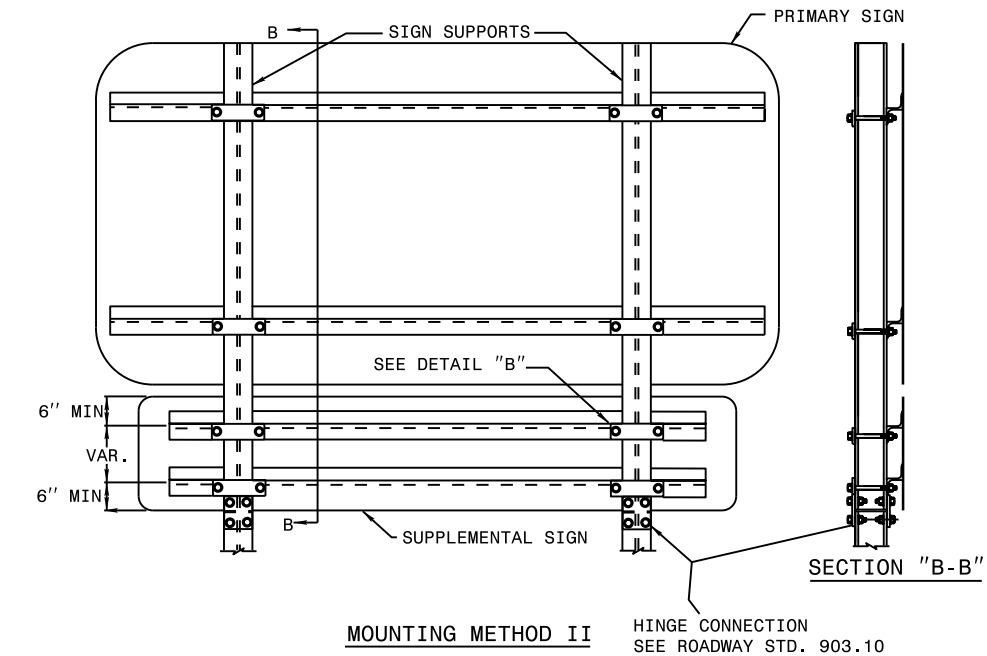
NOTES:

1. FABRICATE VERTICAL AND HORIZONTAL Z'S OF ALUM. Z 3" X 2 1/16" X 1/4" X 2.33 LB/FT.
2. ATTACH VERTICAL Z SUPPORT TO TOP TWO HORIZONTAL STRINGERS ON BACK OF PRIMARY SIGN.
3. DO NOT PERMIT SLOTS IN HORIZONTAL STRINGERS FOR ATTACHMENT OF VERTICAL Z SUPPORTS.

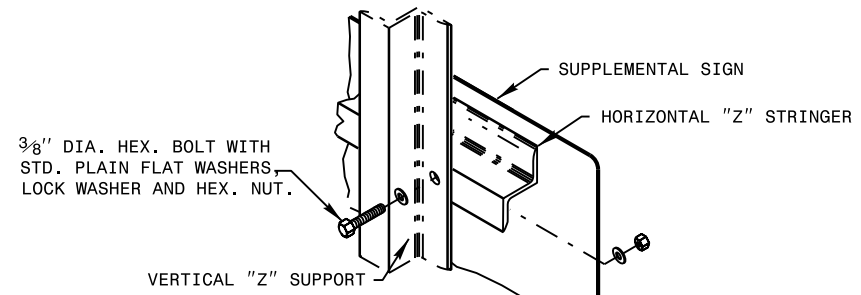
SECTION "B-B"



MOUNTING METHOD I

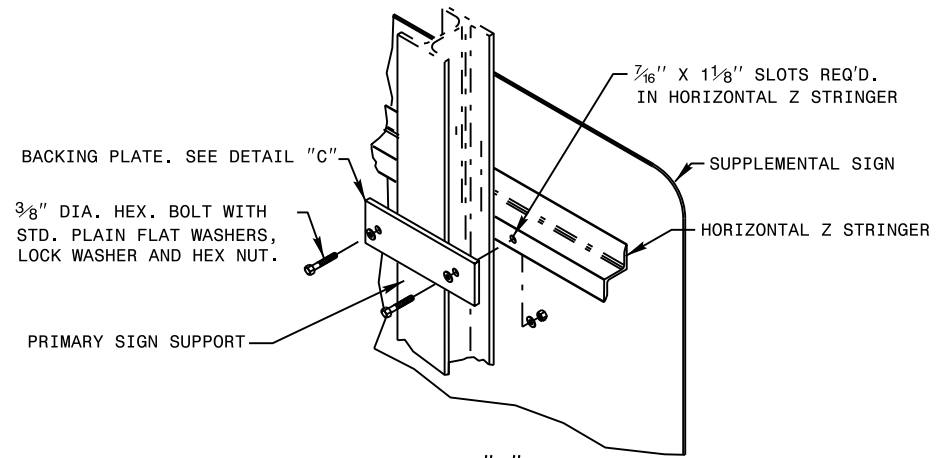


MOUNTING METHOD II



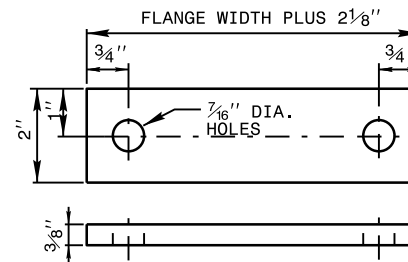
DETAIL "A"

CONNECTION OF HORIZONTAL "Z" STRINGER
AND VERTICAL "Z" SUPPORT.



DETAIL "B"

CONNECTION OF HORIZONTAL "Z" STRINGER

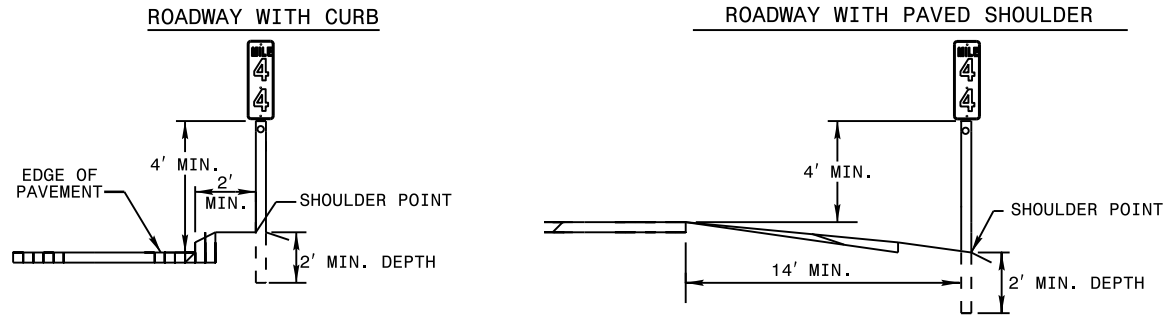


DETAIL "C"
BACKING PLATE

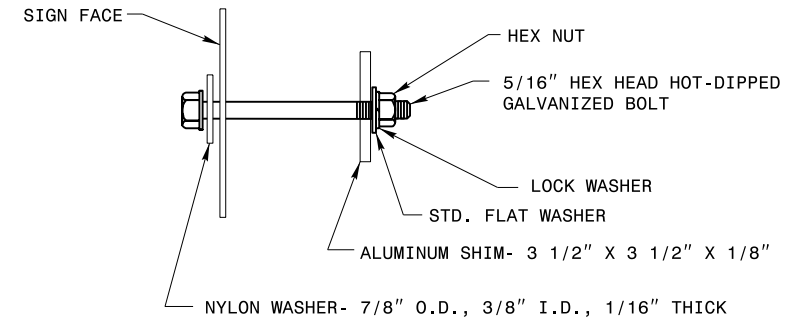
NOTES:

1. FABRICATE VERTICAL AND HORIZONTAL "Z'S" OF ALUM. Z 3" x 2-1/16" x 1/4" x 2.33 LB/FT.
2. ATTACH VERTICAL "Z" SUPPORT TO BOTTOM TWO HORIZONTAL STRINGERS ON BACK OF PRIMARY SIGN.
3. SLOTS ARE NOT ALLOWED IN HORIZONTAL STRINGERS FOR ATTACHMENT OF VERTICAL "Z" SUPPORTS.
4. THE HINGE CONNECTION IS LOCATED AT THE BOTTOM OF THE SUPPLEMENTAL PANEL FOR BREAKAWAY SUPPORTS.

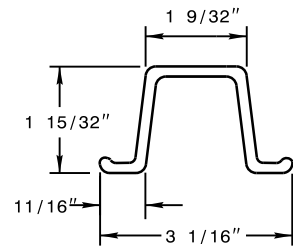
MILEPOST PLACEMENT



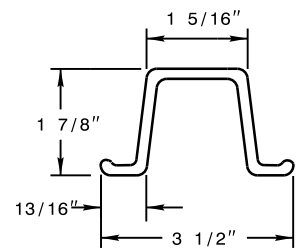
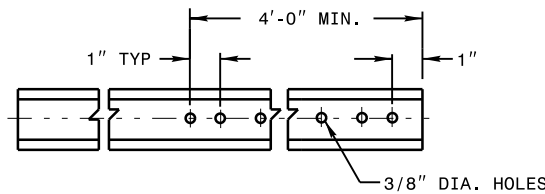
FASTENER



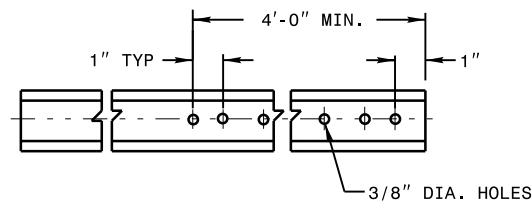
SUPPORT DETAILS



2-LB U-CHANNEL



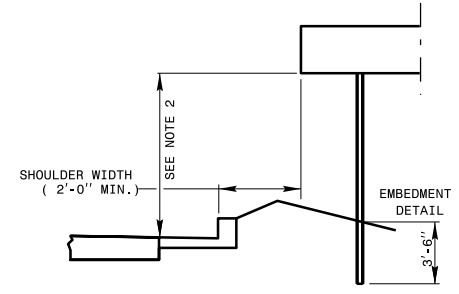
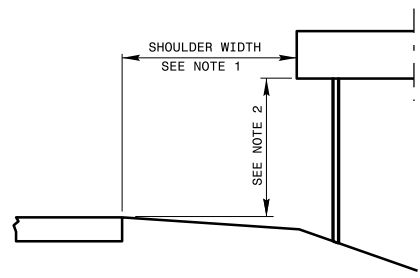
3-LB U-CHANNEL



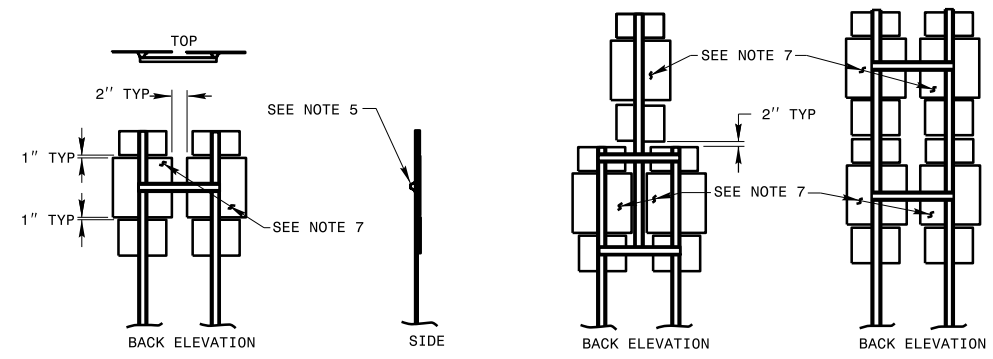
NOTES:

1. A MILEPOST SIGN SHALL CONSIST OF ONE (1) 12" X 24", 12" X 36" OR 12" X 48" SIGN PANEL. AN ENHANCED REFERENCE LOCATION SIGN SHALL CONSIST OF ONE (1) 18" X 54" SIGN PANEL. AN INTERMEDIATE ENHANCED REFERENCE LOCATION SIGN SHALL CONSIST OF ONE (1) 18" X 60" SIGN PANEL.
2. FABRICATE SIGNS FROM .080" SHEET ALUMINUM. EACH SIGN SHALL HAVE WHITE STUCK-ON MESSAGE AND BORDER ON GREEN BACKGROUND. MESSAGE, BORDER AND BACKGROUND TO BE REFLECTORIZED.
3. MILEPOST LOCATION SIGNS REQUIRE ONE (1) 2-LB GALVANIZED STEEL U-CHANNEL SUPPORT AND ENHANCED REFERENCE LOCATION SIGNS REQUIRE ONE (1) 3-LB GALVANIZED STEEL U-CHANNEL SUPPORT. THE SUPPORT'S LENGTH MUST MEET THE REQUIREMENTS SHOWN IN THESE STANDARDS.
4. SUPPORTS SHALL BE DRIVEN. THE TOP OF SUPPORT SHALL NOT PROJECT ABOVE THE TOP OF SIGN.
5. ATTACH EACH SIGN TO THE WIDE FACE (FLANGES) OF THE SUPPORT BY MEANS OF THE FOLLOWING COMBINATION- 5/16" HEX HEAD BOLT, NYLON WASHER, SHIM, FLAT WASHER, LOCK WASHER, HEX NUT. FULL CONTACT BETWEEN THE SIGN AND THE SUPPORT SHALL BE ACHIEVED. NO BUCKLING OF THE SIGN WILL BE PERMITTED.
6. PLACE MILEPOST SIGNS AT THE SHOULDER POINT UNLESS THE ENGINEER DIRECTS OTHERWISE.

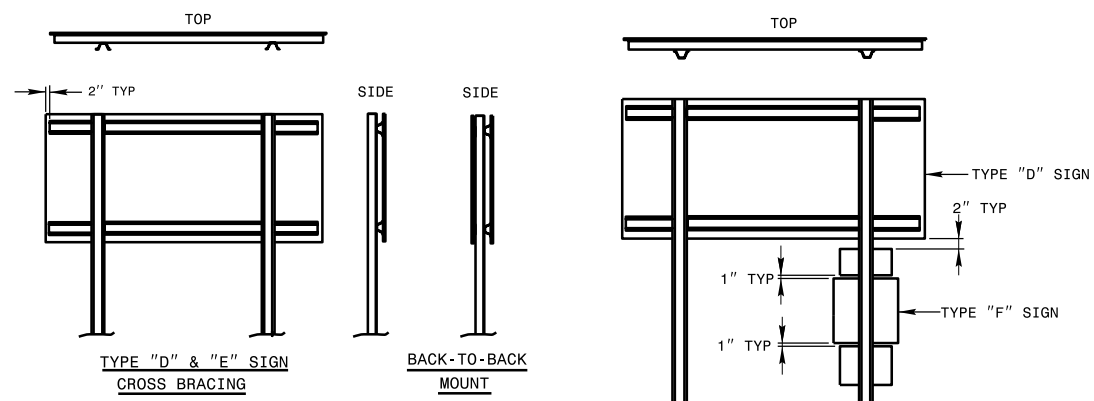
MOUNTING OF TYPE 'D', 'E' AND 'F' SIGNS ON 'U' CHANNEL SUPPORTS



HORIZONTAL AND VERTICAL CLEARANCES

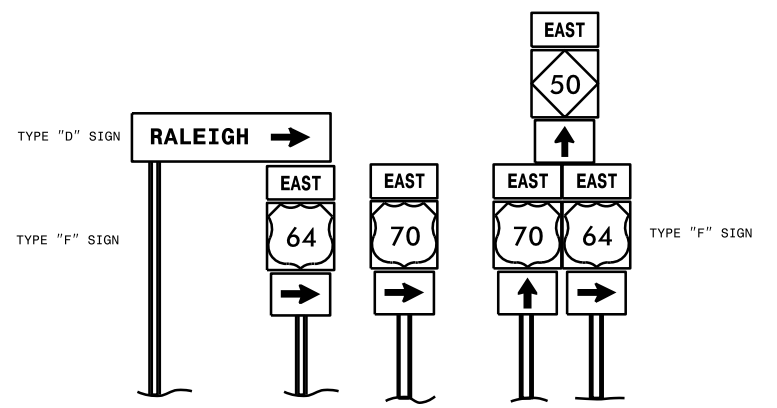


FRAMING AND CROSS-BRACING DETAILS
TYPE "F" SIGNS



FRAMING AND CROSS BRACE DETAILS
FOR COMBINATION TYPE "D" & "E" SIGNS
WIDE SIDE OF CROSS BRACE GOES TO BACK OF SIGN

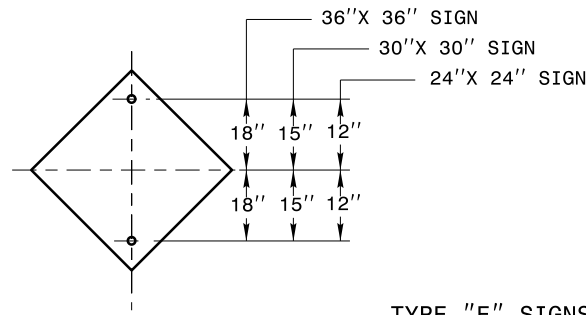
FRAMING AND CROSS BRACE DETAILS
FOR COMBINATION TYPE "D" & "F" SIGNS
WIDE SIDE OF FLANGE TO BACK OF "F" SIGN



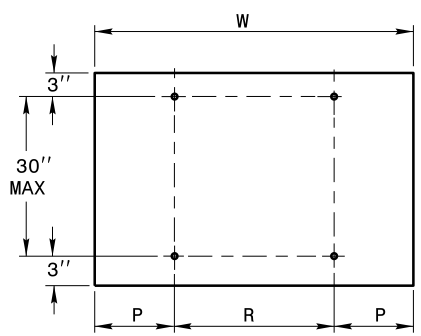
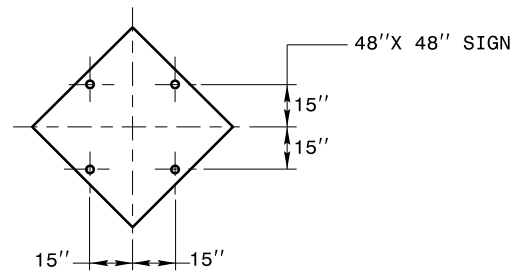
TYPICAL SIGN SHAPES AND COMBINATIONS

NOTES:

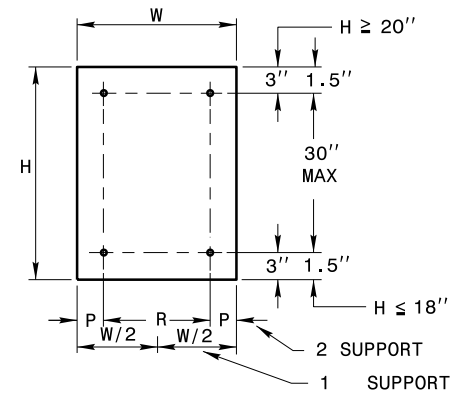
1. ERECT TYPE "D", "E", AND "F" SIGNS ON FREEWAYS WITH THE NEAR EDGE OF THE SIGN 20 FT. FROM THE TRAVEL LANE. ERECT ALL OTHER "D", "E", AND "F" SIGNS WITH THE NEAR EDGE OF THE SIGN AT THE EDGE OF THE SHOULDER BREAK (6 FT. MINIMUM CLEARANCE, 12 FT. DESIRABLE, FROM THE EDGE OF TRAVEL LANE), OR AS DIMENSIONED ON PLAN SHEETS.
2. ERECT TYPE "D", "E", AND "F" SIGNS WITH THE BOTTOM OF SIGN ASSEMBLY AT LEAST 7 FT. ABOVE THE EDGE OF THE TRAVEL LANE ON ROADS WITH 2 OR MORE LANES IN THE SAME DIRECTION AND AT LEAST 5 FT. ON OTHER ROUTES. THE VERTICAL CLEARANCE IS 7 FT. WHERE REQUIRED FOR PEDESTRIAN TRAFFIC AND/OR PARKED VEHICLES.
3. THE VERTICAL DIMENSION BETWEEN MOUNTING HOLE CENTERS ON ALL TYPES "D", "E", AND "F" SIGNS IS 30" MAXIMUM. THE VERTICAL AND HORIZONTAL DIMENSIONS BETWEEN MOUNTING HOLES IS TO THE WHOLE INCH. EACH SIGN PANEL HAS A MINIMUM OF 2 BOLTS PER SUPPORT.
4. ATTACH SIGN W/ 5/16" HEX HEAD BOLT, NYLON WASHER, SHIM, FLAT WASHER, LOCK WASHER, HEX .NUT NO BUCKLING OF THE SIGN WILL BE PERMITTED, SEE ASSEMBLY DETAIL SHEET# 2 OF 904.50.
5. FURNISH AND INSTALL CROSS-BRACING AS SHOWN IN DETAIL. PAINT ENDS OF CROSS BRACES W/ APPROVED. ZINC PAINT
6. INSTALL SUPPORT AND CROSS-BRACING WITH THE WIDE SIDE OF THE FLANGE TOWARD THE BACK OF SIGN(S) FOR COMBINATION TYPE "D" AND "F" SIGNS.
7. THE SHIELD HEIGHTS IN THESE ASSEMBLIES CAN NOT BE LARGER THAN 24".
8. IF SIGN ASSEMBLIES REQUIRE MORE THAN TWO U-CHANNEL SUPPORTS, THE SUPPORTS SHALL BE PLACED A MINIMUM OF 4 FT. BETWEEN SUPPORTS. NO MORE THAN TWO SUPPORTS SHALL FALL WITHIN 7 FT. PATH, OR THE SIGN ASSEMBLY MUST BE PLACED BEHIND BARRIER PROTECTION.



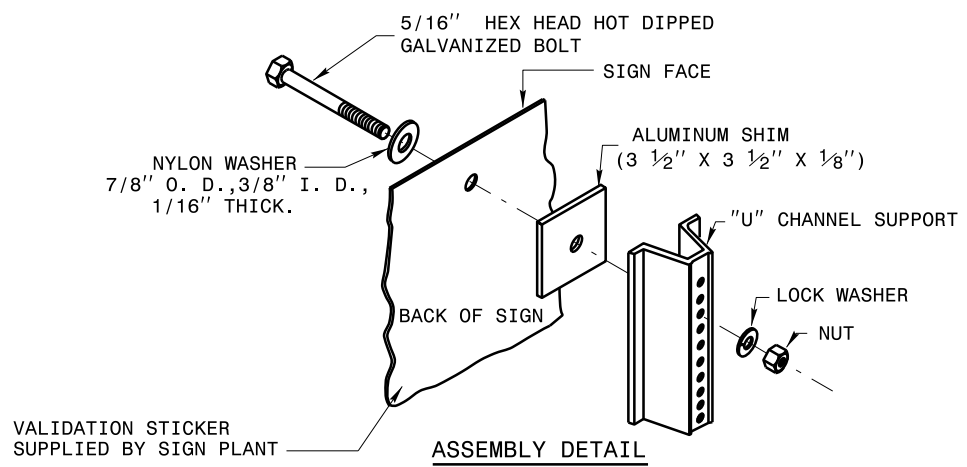
TYPE "E" SIGNS



TYPE "D" SIGNS



TYPE "E" AND "F" SIGNS

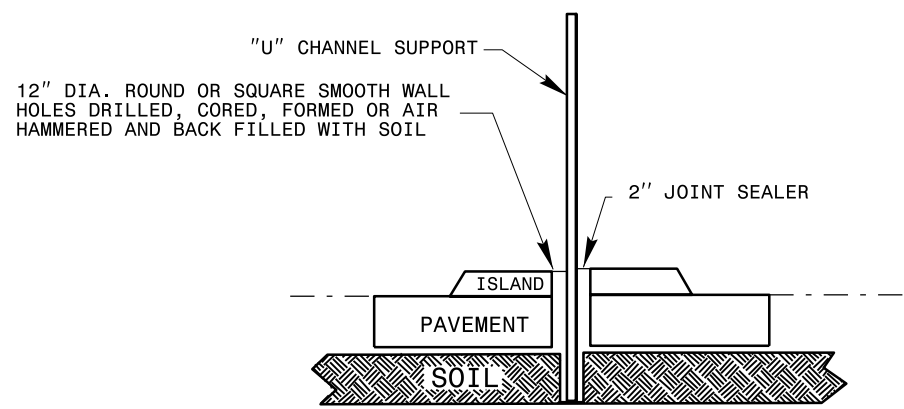


ASSEMBLY DETAIL

	NO. SUPPORTS		
	2	3 *	4 *
P	.207W	.145W	.107W
R	.586W	.355W	.262W

UNITS ON ATTACHED SHEET
 * MINIMUM 4 FT. BETWEEN CHANNEL SUPPORTS

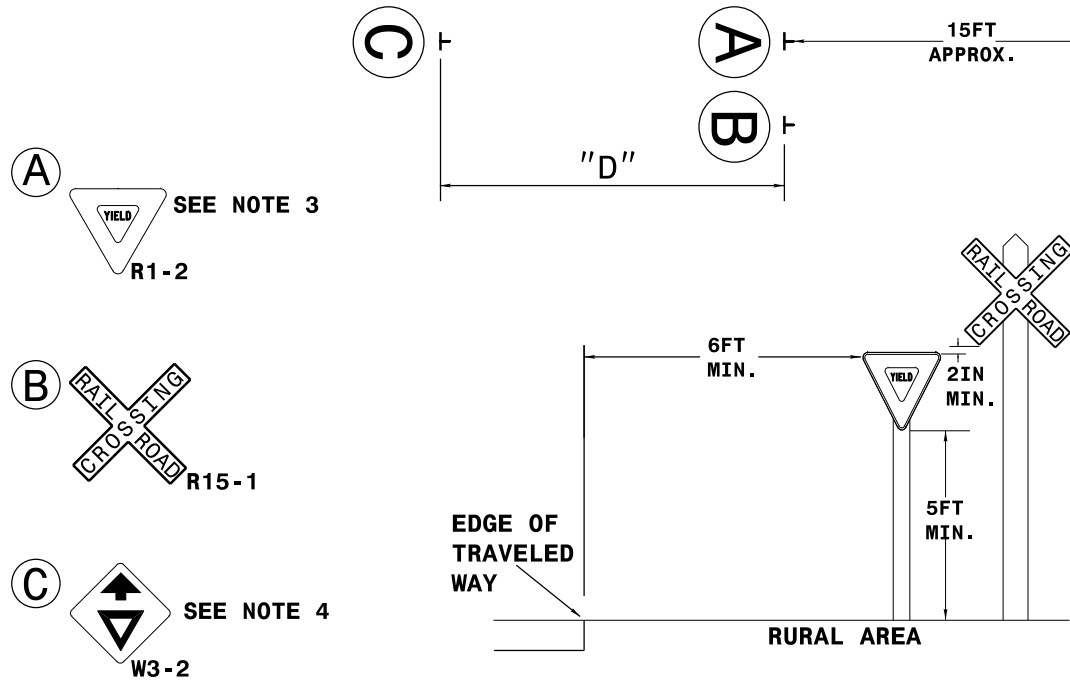
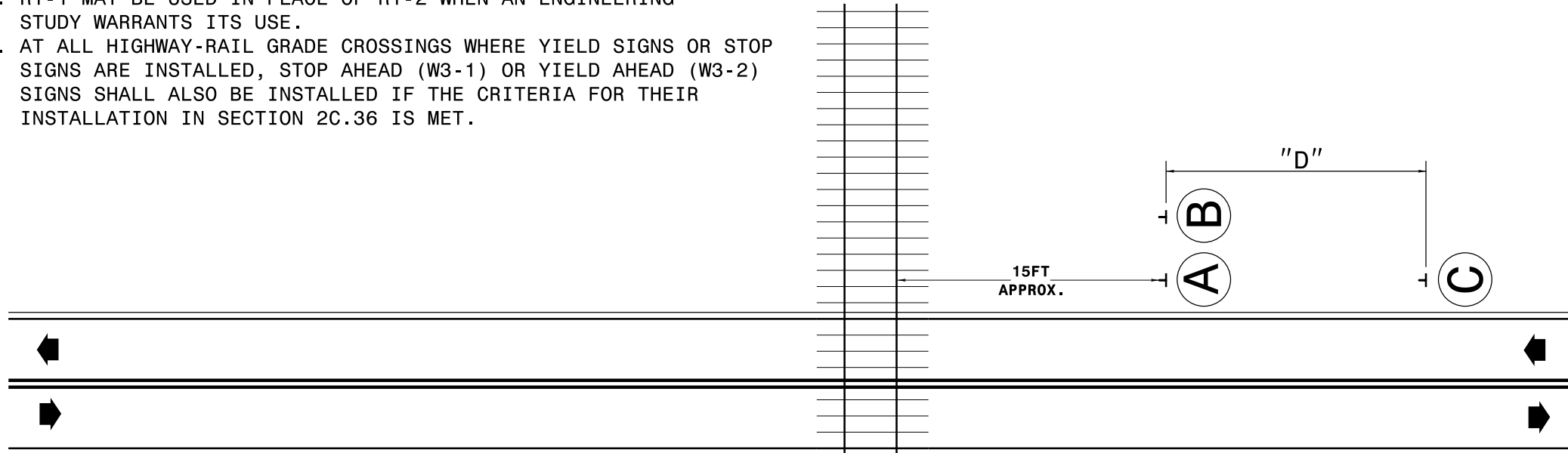
HOLE PUNCHING DETAIL



DETAIL FOR INSTALLATION OF CHANNEL SUPPORT IN CONCRETE

NOTES:

1. USE TABLES 2B-1, 2C-2 AND 7B-1 IN MUTCD FOR SIGN SIZES.
2. WHEN GEOMETRY DOES NOT PERMIT THE USE OF ALL REQUIRED SIGNS AN ENGINEERING STUDY WILL DETERMINE APPROPRIATE SIGNING.
3. R1-1 MAY BE USED IN PLACE OF R1-2 WHEN AN ENGINEERING STUDY WARRANTS ITS USE.
4. AT ALL HIGHWAY-RAIL GRADE CROSSINGS WHERE YIELD SIGNS OR STOP SIGNS ARE INSTALLED, STOP AHEAD (W3-1) OR YIELD AHEAD (W3-2) SIGNS SHALL ALSO BE INSTALLED IF THE CRITERIA FOR THEIR INSTALLATION IN SECTION 2C.36 IS MET.



(A) SEE NOTE 3
R1-2

(B) R15-1

(C) SEE NOTE 4
W3-2

"D" DISTANCE AND LANE REDUCTION SIGNING	
POSTED SPEED LIMIT	D DISTANCE
20 M.P.H.	150 FT
25 M.P.H.	200 FT
30 M.P.H.	250 FT
35 M.P.H.	300 FT
40 M.P.H.	350 FT
45 M.P.H.	400 FT

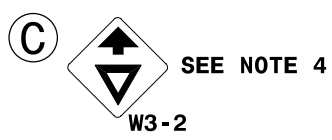
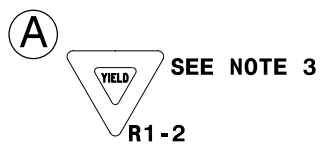
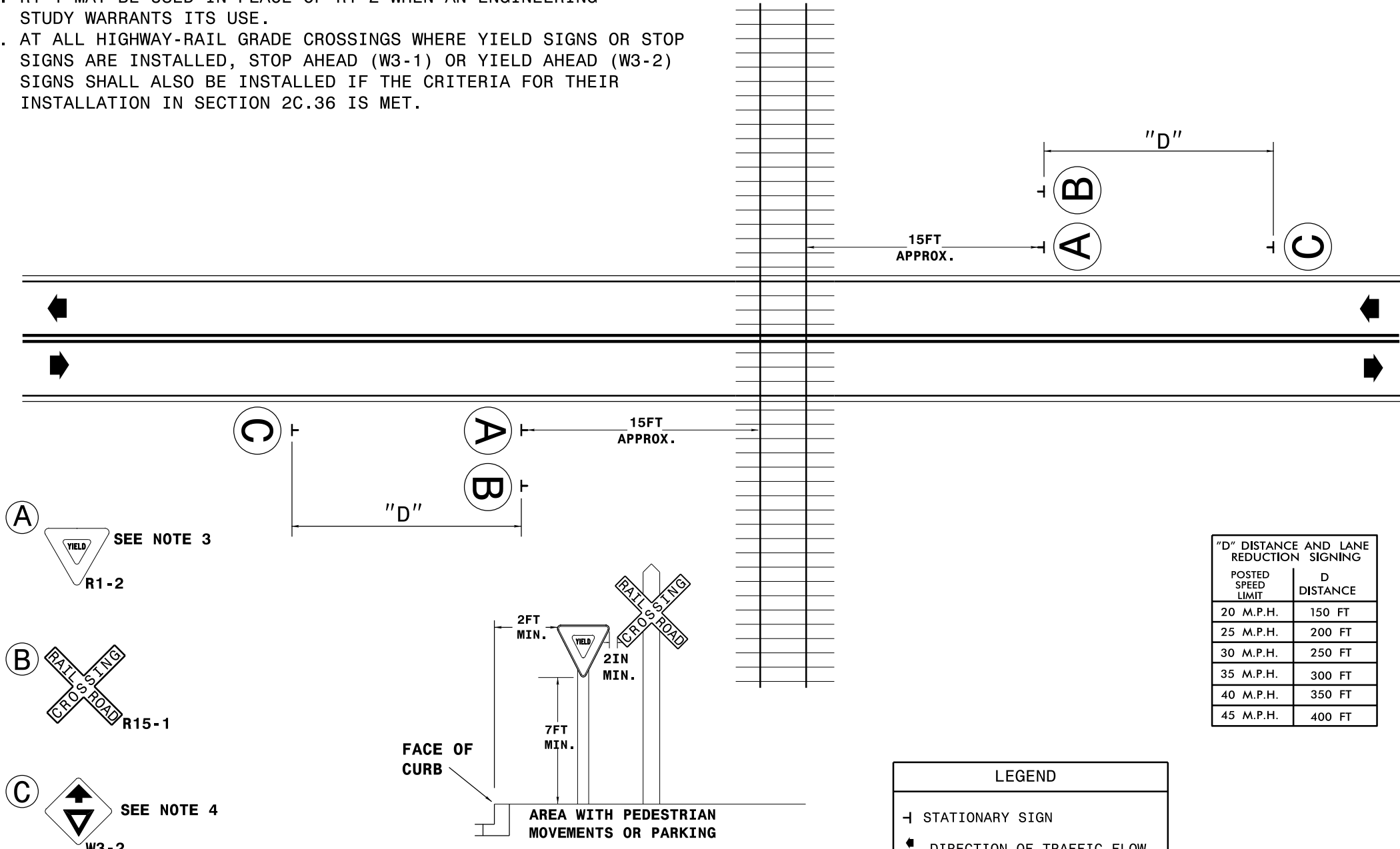
LEGEND

— STATIONARY SIGN

← DIRECTION OF TRAFFIC FLOW

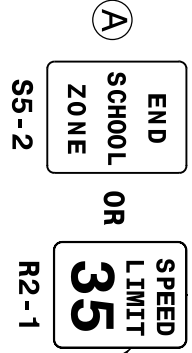
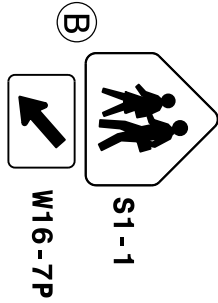
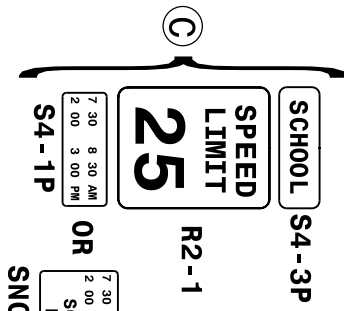
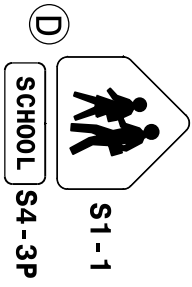
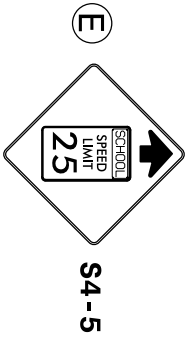
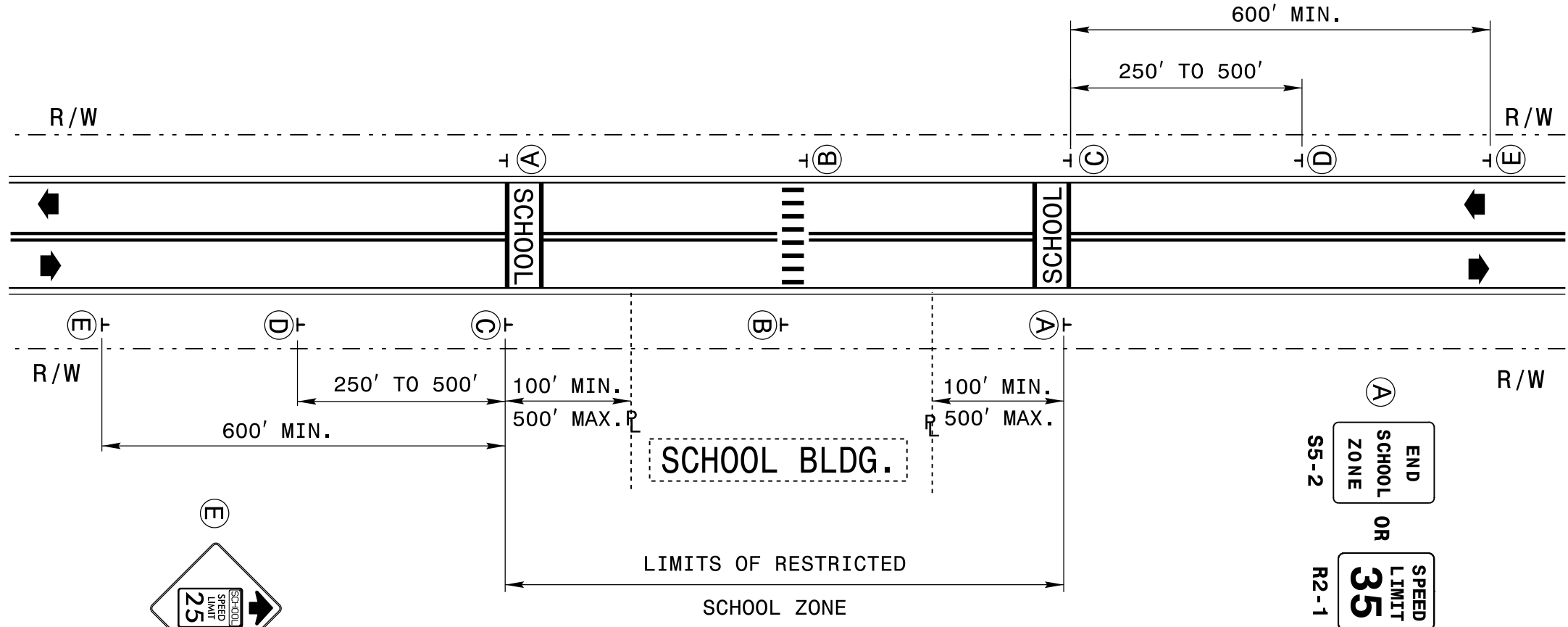
NOTES:

1. USE TABLES 2B-1, 2C-2 AND 7B-1 IN MUTCD FOR SIGN SIZES.
2. WHEN GEOMETRY DOES NOT PERMIT THE USE OF ALL REQUIRED SIGNS AN ENGINEERING STUDY WILL DETERMINE APPROPRIATE SIGNING.
3. R1-1 MAY BE USED IN PLACE OF R1-2 WHEN AN ENGINEERING STUDY WARRANTS ITS USE.
4. AT ALL HIGHWAY-RAIL GRADE CROSSINGS WHERE YIELD SIGNS OR STOP SIGNS ARE INSTALLED, STOP AHEAD (W3-1) OR YIELD AHEAD (W3-2) SIGNS SHALL ALSO BE INSTALLED IF THE CRITERIA FOR THEIR INSTALLATION IN SECTION 2C.36 IS MET.



"D" DISTANCE AND LANE REDUCTION SIGNING	
POSTED SPEED LIMIT	D DISTANCE
20 M.P.H.	150 FT
25 M.P.H.	200 FT
30 M.P.H.	250 FT
35 M.P.H.	300 FT
40 M.P.H.	350 FT
45 M.P.H.	400 FT

LEGEND	
⊥	STATIONARY SIGN
←	DIRECTION OF TRAFFIC FLOW

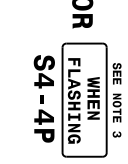
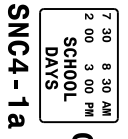
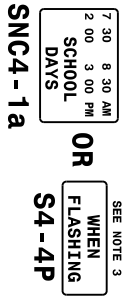


THIS SIGN IS TO DISPLAY THE LEGAL SPEED LIMIT FOR THE AREA OUTSIDE THE SCHOOL ZONE.

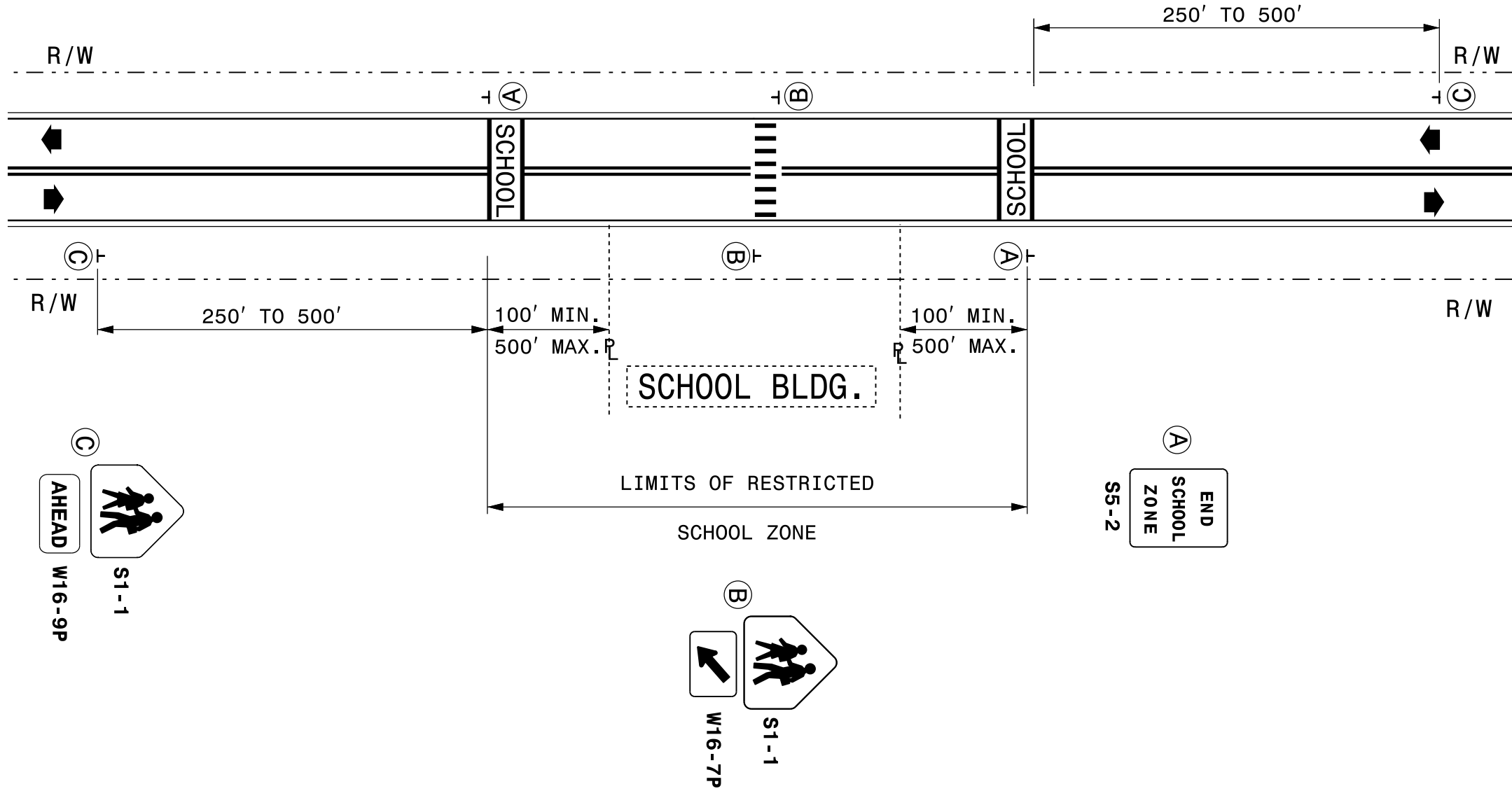
NOTES:

1. USE TABLES 2B-1, 2C-2 AND 7B-1 IN MUTCD FOR SIGN SIZES.
2. WHEN GEOMETRIC DOES NOT PERMIT THE USE OF ALL REQUIRED SIGNS AN ENGINEERING STUDY WILL DETERMINE APPROPRIATE SIGNING.
3. ONLY USED IN CONJUNCTION WITH A YELLOW FLASHING BEACON.

LEGEND	
	PROPERTY LINE
	STATIONARY SIGN
	DIRECTION OF TRAFFIC FLOW



SEE NOTE 3



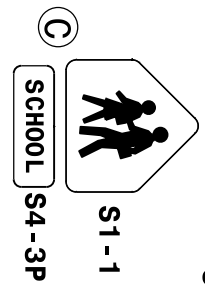
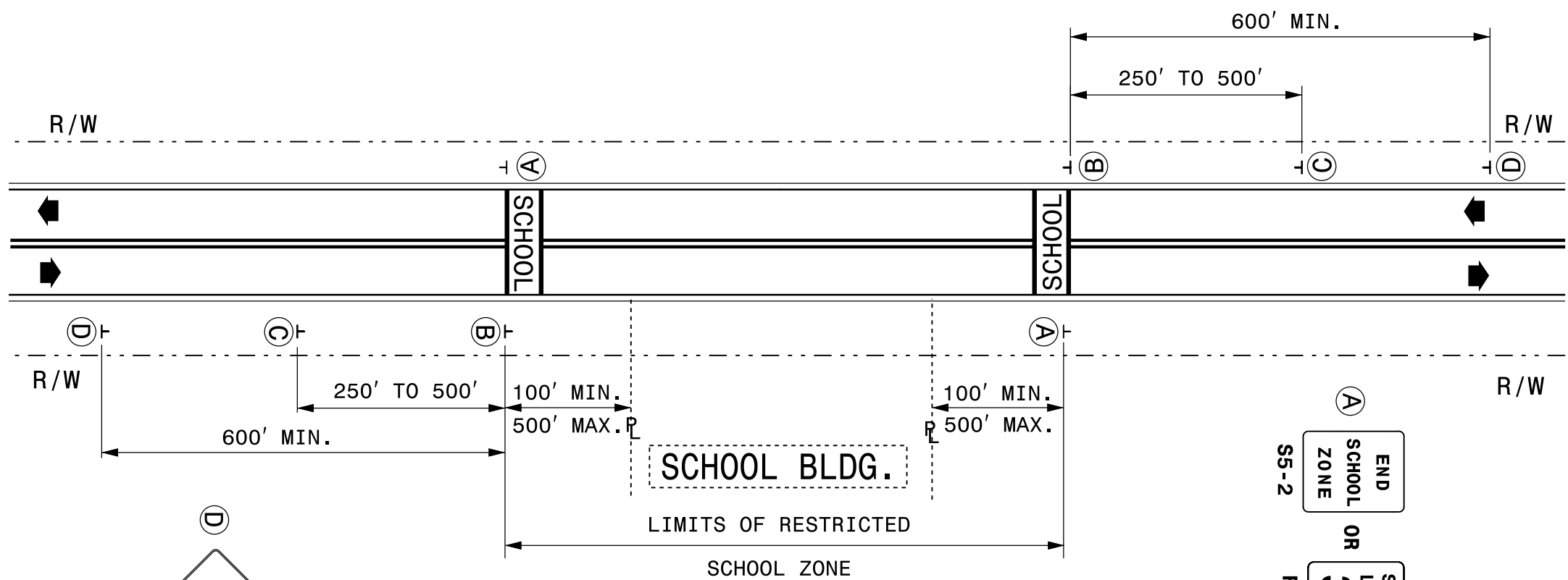
NOTES:

1. USE TABLES 2B-1, 2C-2 AND 7B-1 IN MUTCD FOR SIGN SIZES.
2. WHEN GEOMETRIC DOES NOT PERMIT THE USE OF ALL REQUIRED SIGNS AN ENGINEERING STUDY WILL DETERMINE APPROPRIATE SIGNING.

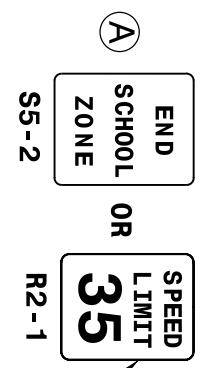
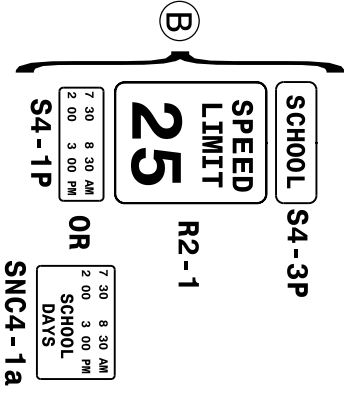
LEGEND	
	PROPERTY LINE
	STATIONARY SIGN
	DIRECTION OF TRAFFIC FLOW

1-24

ROADWAY STANDARD DRAWING FOR
**SIGNING SCHOOL ZONE
WITHOUT MARKED CROSSWALK**
WHERE SPEED REDUCTION IS REQUIRED



OR
SEE NOTE 3



THIS SIGN IS TO DISPLAY THE LEGAL SPEED LIMIT FOR THE AREA OUTSIDE THE SCHOOL ZONE.

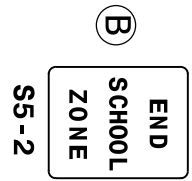
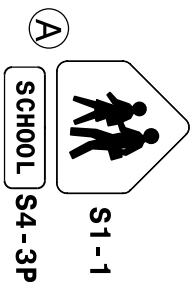
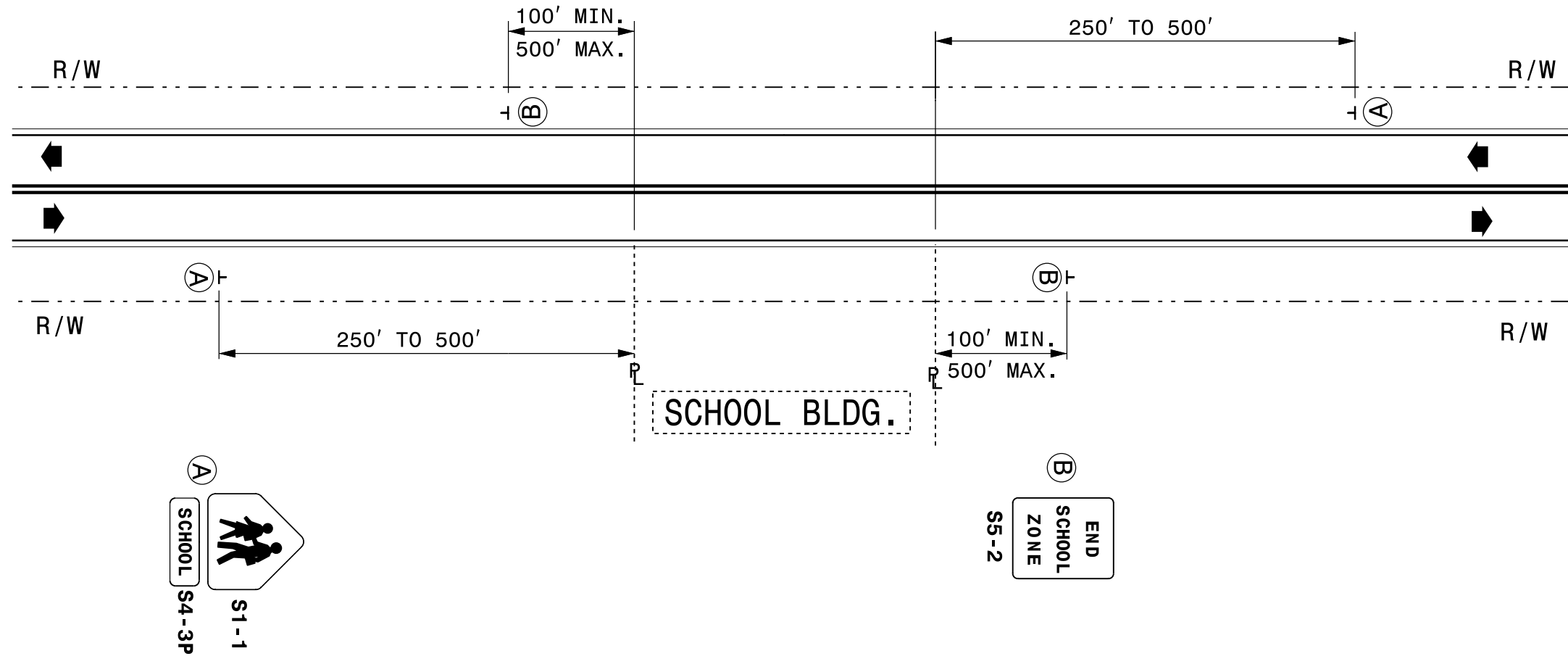
LEGEND	
	PROPERTY LINE
	STATIONARY SIGN
	DIRECTION OF TRAFFIC FLOW

NOTES:

1. USE TABLES 2B-1, 2C-2 AND 7B-1 IN MUTCD FOR SIGN SIZES.
2. WHEN GEOMETRIC DOES NOT PERMIT THE USE OF ALL REQUIRED SIGNS AN ENGINEERING STUDY WILL DETERMINE APPROPRIATE SIGNING.
3. ONLY USED IN CONJUNCTION WITH A YELLOW FLASHING BEACON.

1-24

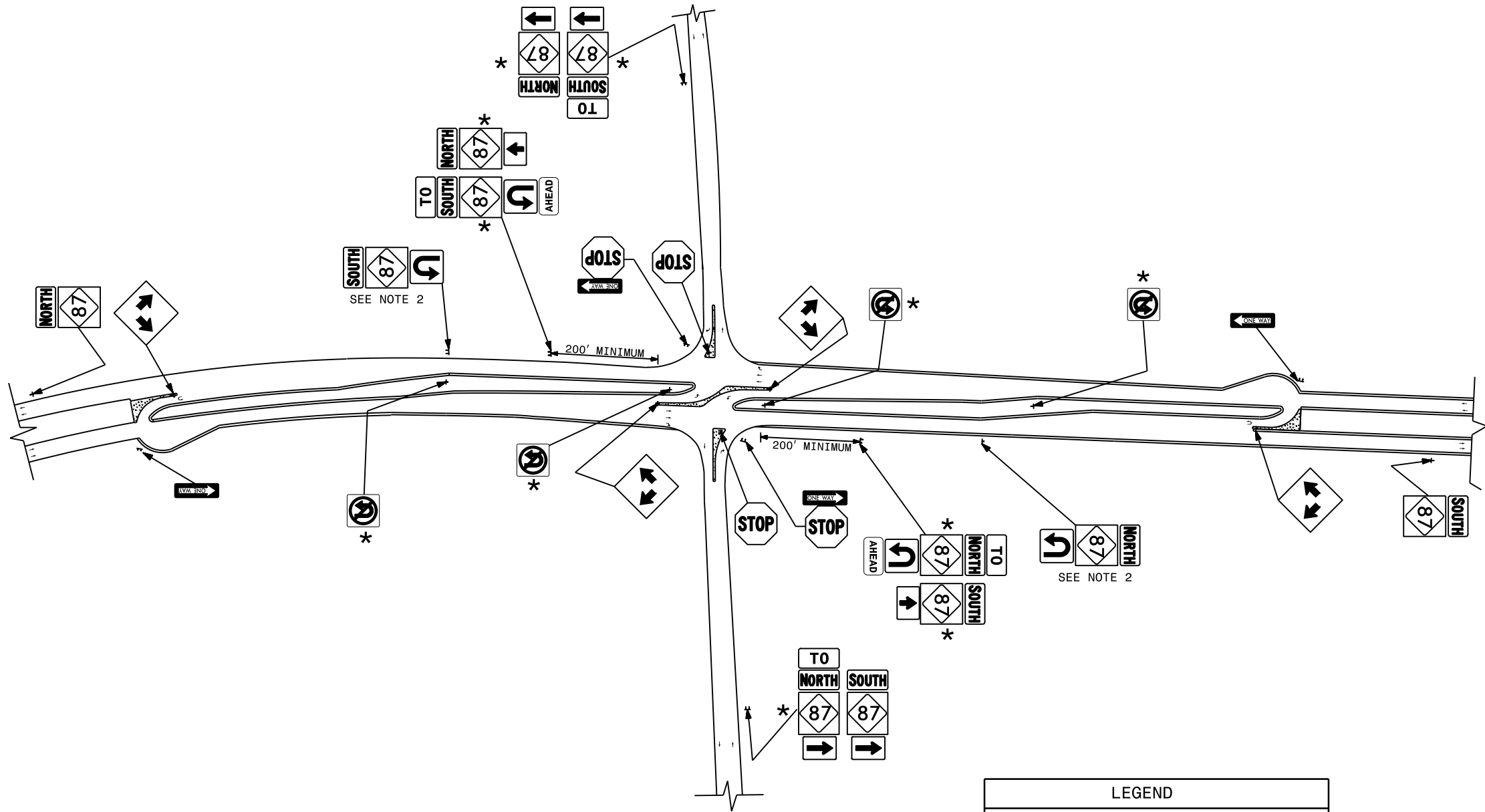
ROADWAY STANDARD DRAWING FOR
SIGNING SCHOOL ZONE



NOTES:

1. USE TABLES 2B-1, 2C-2 AND 7B-1 IN MUTCD FOR SIGN SIZES.
2. WHEN GEOMETRIC DOES NOT PERMIT THE USE OF ALL REQUIRED SIGNS AN ENGINEERING STUDY WILL DETERMINE APPROPRIATE SIGNING.

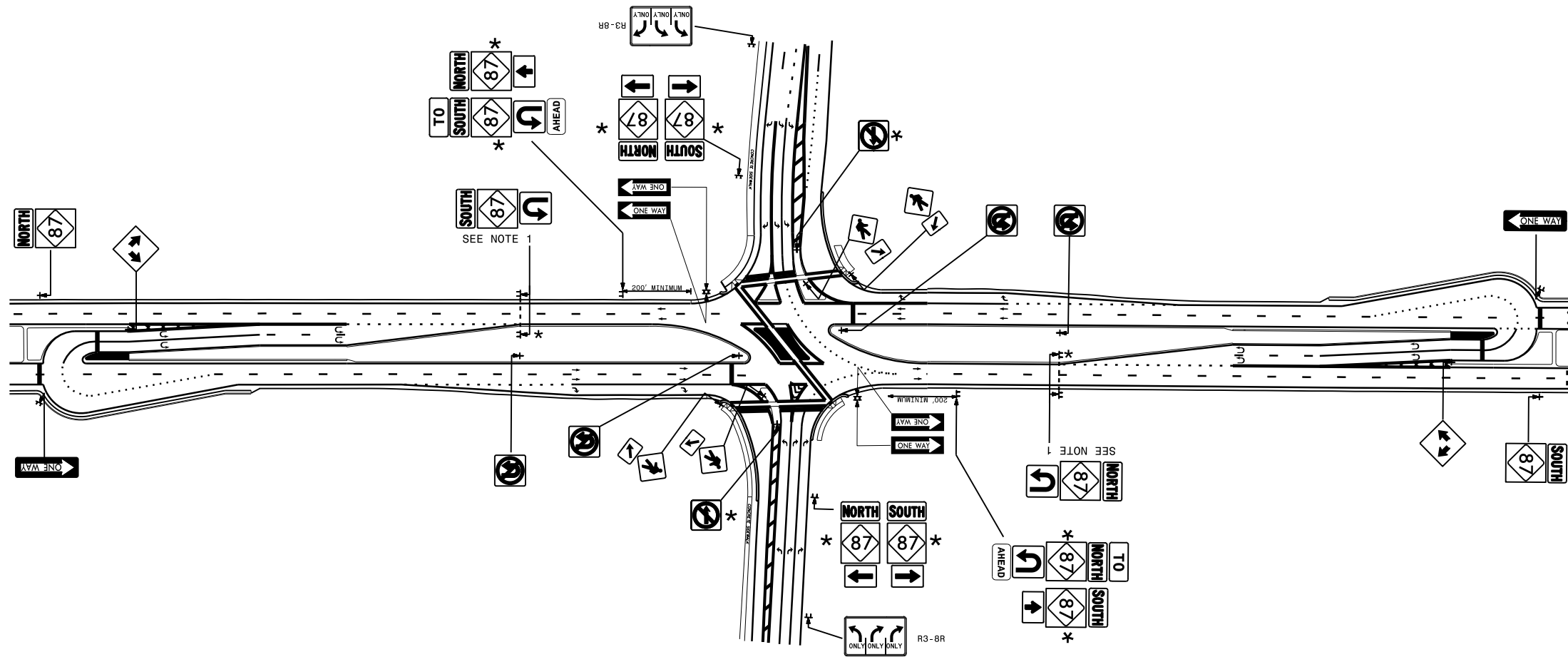
LEGEND	
	PROPERTY LINE
	STATIONARY SIGN
	DIRECTION OF TRAFFIC FLOW



NOTES:

1. IF MEDIAN STOP SIGN IS USED, LOCATE SIGN SO THAT IT DOES NOT OBSTRUCT THE VIEW OF THE MOTORIST WHEN LOOKING LEFT.
2. TYPICALLY LOCATED NEAR BEGINNING OF TAPER.

LEGEND	
*	OPTIONAL
⊥	STATIONARY SIGN ON ONE SUPPORT
⊥	STATIONARY SIGN ON TWO SUPPORTS

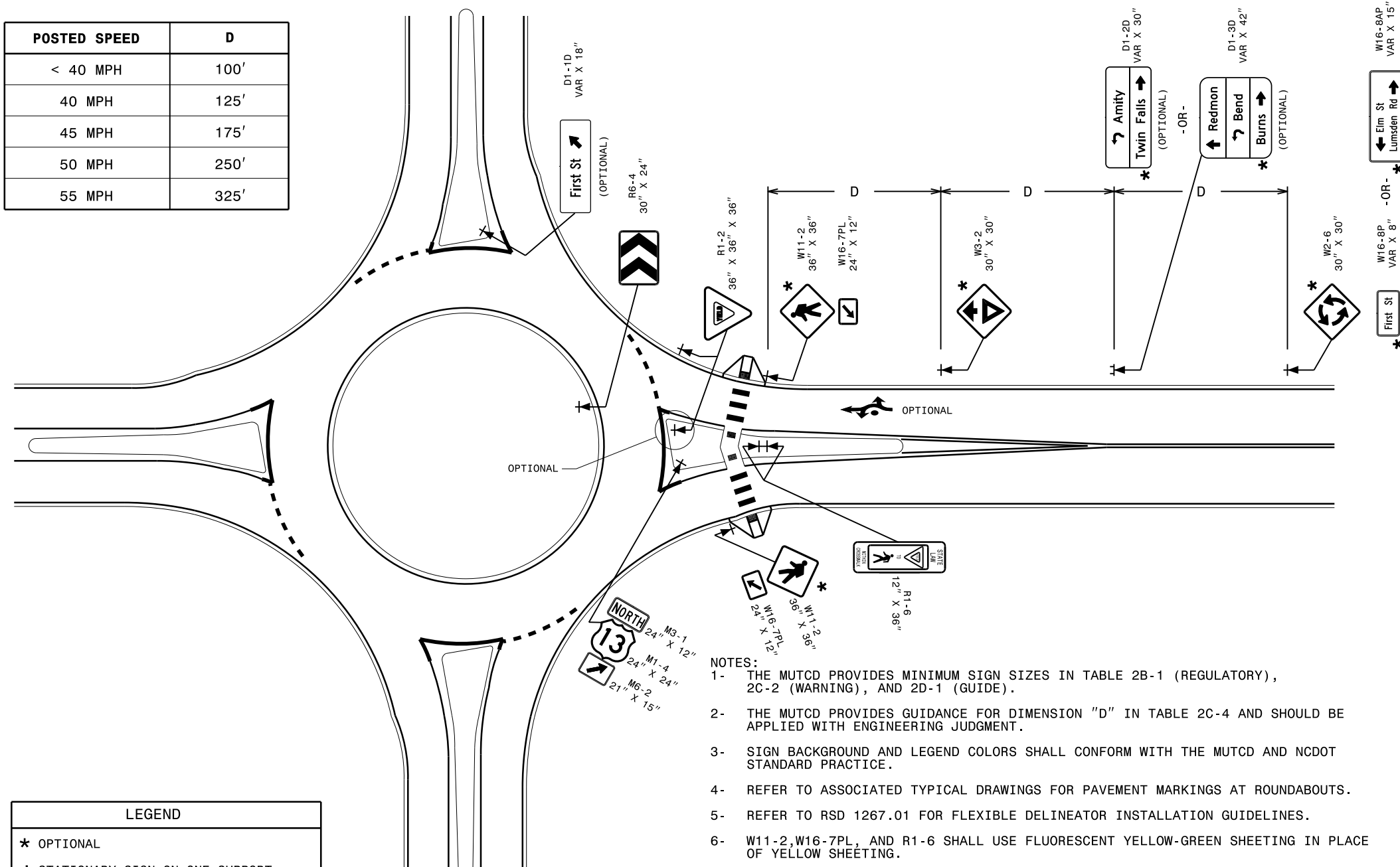


NOTES:

1. TYPICALLY LOCATED NEAR BEGINNING OF TAPER.
2. OPTIONAL SIGNS ARE TO BE INSTALLED AT THE DISCRETION OF THE DIVISION ENGINEER.
3. ALL SIGNS SHALL BE FIELD LOCATED BY THE ENGINEER.
4. FOR REGULATORY SIGN AND PLAQUE SIZES USE TABLE 2B-1 IN MUTCD.

LEGEND	
*	OPTIONAL
—	STATIONARY SIGN ON ONE SUPPORT
—	STATIONARY SIGN ON TWO SUPPORTS

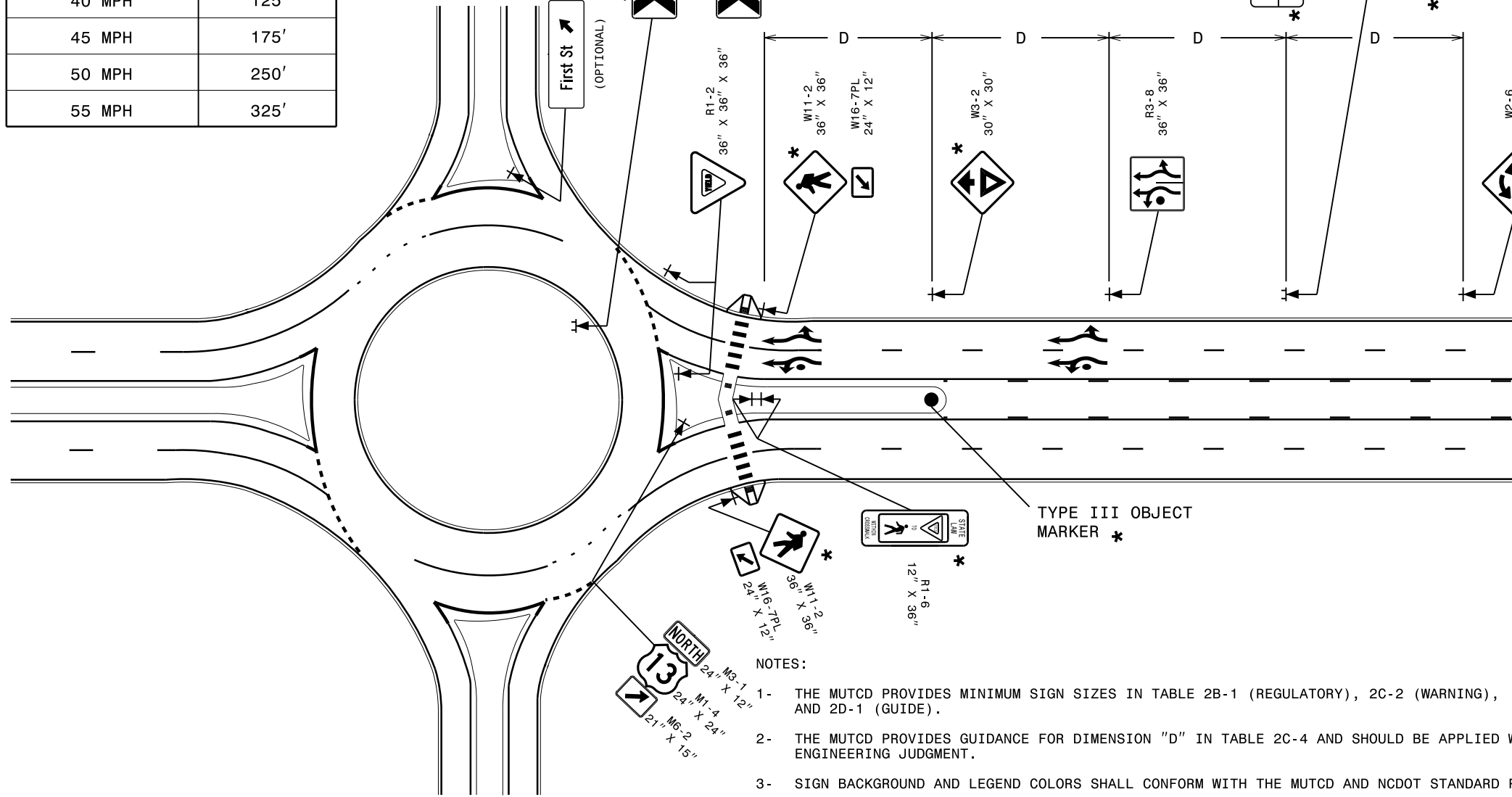
POSTED SPEED	D
< 40 MPH	100'
40 MPH	125'
45 MPH	175'
50 MPH	250'
55 MPH	325'



LEGEND	
★	OPTIONAL
└─	STATIONARY SIGN ON ONE SUPPORT
└─└─	STATIONARY SIGN ON TWO SUPPORTS

- NOTES:
- 1- THE MUTCD PROVIDES MINIMUM SIGN SIZES IN TABLE 2B-1 (REGULATORY), 2C-2 (WARNING), AND 2D-1 (GUIDE).
 - 2- THE MUTCD PROVIDES GUIDANCE FOR DIMENSION "D" IN TABLE 2C-4 AND SHOULD BE APPLIED WITH ENGINEERING JUDGMENT.
 - 3- SIGN BACKGROUND AND LEGEND COLORS SHALL CONFORM WITH THE MUTCD AND NCDOT STANDARD PRACTICE.
 - 4- REFER TO ASSOCIATED TYPICAL DRAWINGS FOR PAVEMENT MARKINGS AT ROUNDABOUTS.
 - 5- REFER TO RSD 1267.01 FOR FLEXIBLE DELINEATOR INSTALLATION GUIDELINES.
 - 6- W11-2, W16-7PL, AND R1-6 SHALL USE FLUORESCENT YELLOW-GREEN SHEETING IN PLACE OF YELLOW SHEETING.
 - 7- OPTIONAL SIGNS THAT COULD BE INSTALLED WITH W2-6 WOULD ALSO INCLUDE W13-1P, W16-17P AND W16-12P. OPTIONAL SIGNS SHALL BE INSTALLED AT THE DISCRETION OF THE ENGINEER.
 - 8- RIGHT SIDE SUPPORT-MOUNTED YIELD SIGNS SHALL BE ANGLED TO FORM AN EXTENSION OF THE YIELD LINE.
 - 9- OPTION: IN RURAL AND/OR HIGHER SPEED LOCATIONS UPSIZE 30" X 30" TO 36" X 36."

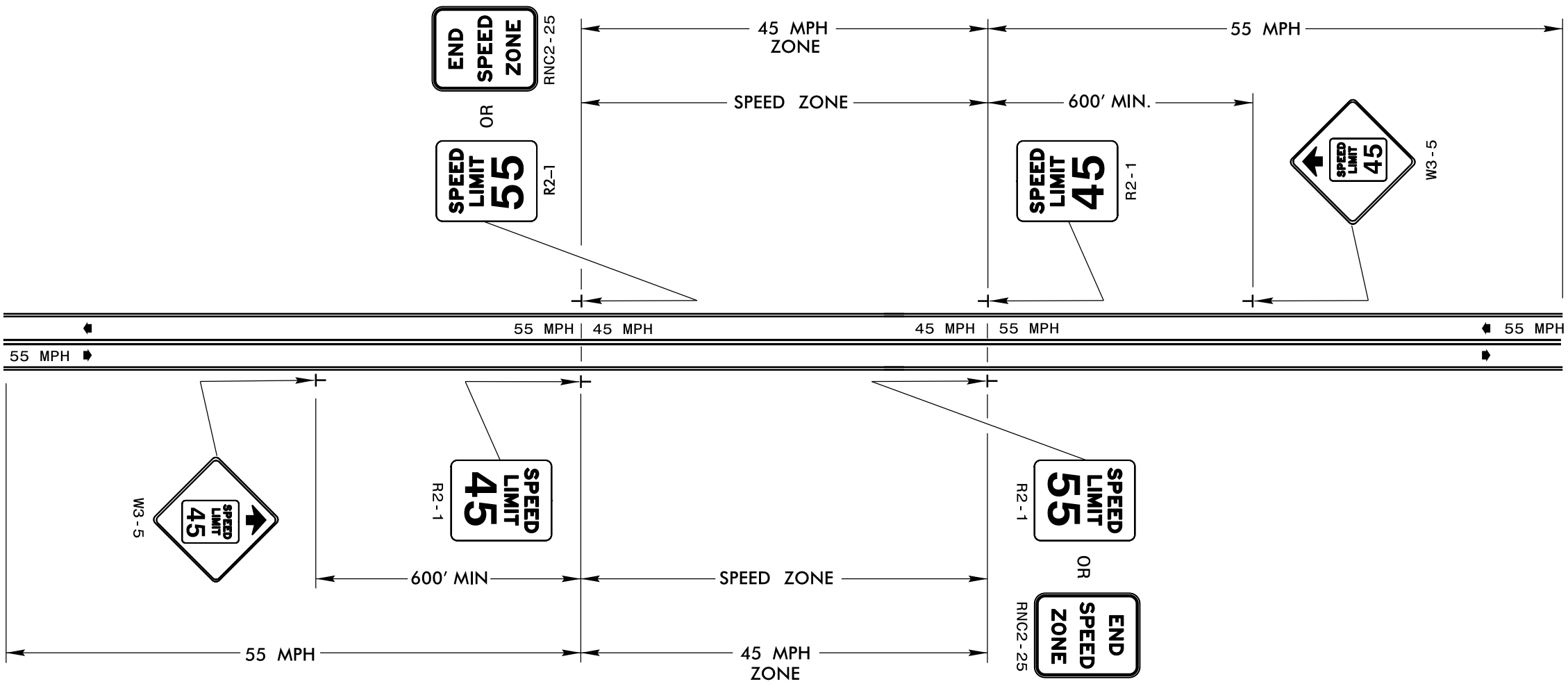
POSTED SPEED	D
< 40 MPH	100'
40 MPH	125'
45 MPH	175'
50 MPH	250'
55 MPH	325'



LEGEND	
*	OPTIONAL
⊣	STATIONARY SIGN ON ONE SUPPORT
⊢	STATIONARY SIGN ON TWO SUPPORTS

NOTES:

- 1- THE MUTCD PROVIDES MINIMUM SIGN SIZES IN TABLE 2B-1 (REGULATORY), 2C-2 (WARNING), AND 2D-1 (GUIDE).
- 2- THE MUTCD PROVIDES GUIDANCE FOR DIMENSION "D" IN TABLE 2C-4 AND SHOULD BE APPLIED WITH ENGINEERING JUDGMENT.
- 3- SIGN BACKGROUND AND LEGEND COLORS SHALL CONFORM WITH THE MUTCD AND NCDOT STANDARD PRACTICE.
- 4- REFER TO ASSOCIATED TYPICAL DRAWINGS FOR PAVEMENT MARKINGS AT ROUNDABOUTS.
- 5- REFER TO RSD 1267.01 FOR FLEXIBLE DELINEATOR INSTALLATION GUIDELINES.
- 6- W11-2, W16-7PL, AND R1-6 SHALL USE FLUORESCENT YELLOW-GREEN SHEETING IN PLACE OF YELLOW SHEETING.
- 7- OPTIONAL SIGNS THAT COULD BE INSTALLED WITH W2-6 WOULD ALSO INCLUDE W13-1P, W16-17P AND W16-12P. OPTIONAL SIGNS SHALL BE INSTALLED AT THE DISCRETION OF THE ENGINEER.
- 8- RIGHT SIDE SUPPORT-MOUNTED YIELD SIGNS SHALL BE ANGLED TO FORM AN EXTENSION OF THE YIELD LINE.
- 9- ADVANCE LANE CONTROL ARROW MARKINGS SHALL MATCH THE LANE CONTROLS DEPICTED IN R3-8 SIGN WHICH SHALL MATCH THE LANE CONTROLS OF THE ROUNDABOUT AND SHALL UTILIZE FISHHOOK ARROWS.



NOTES:

1. USE TABLES 2B-1 AND 2C-2 IN MUTCD FOR SIGN SIZES.
2. SIGNS INDICATING A REDUCTION IN SPEED LIMIT SHALL BE DUAL MOUNTED ON MULTILANE DIVIDED FACILITIES WITH MEDIANS.
3. REDUCED SPEED LIMIT AHEAD (W3-5) SIGN SHALL BE INSTALLED AT LEAST 600 FEET IN ADVANCE OF THE BEGINNING OF THE SPEED ZONE, INDICATING A CHANGE IN THE SPEED LIMIT.

LEGEND	
⊥	STATIONARY SIGN
➡	DIRECTION OF TRAFFIC FLOW