

STATE OF NORTH CAROLINA
 DEPT. OF TRANSPORTATION
 DIVISION OF HIGHWAYS
 RALEIGH, N.C.

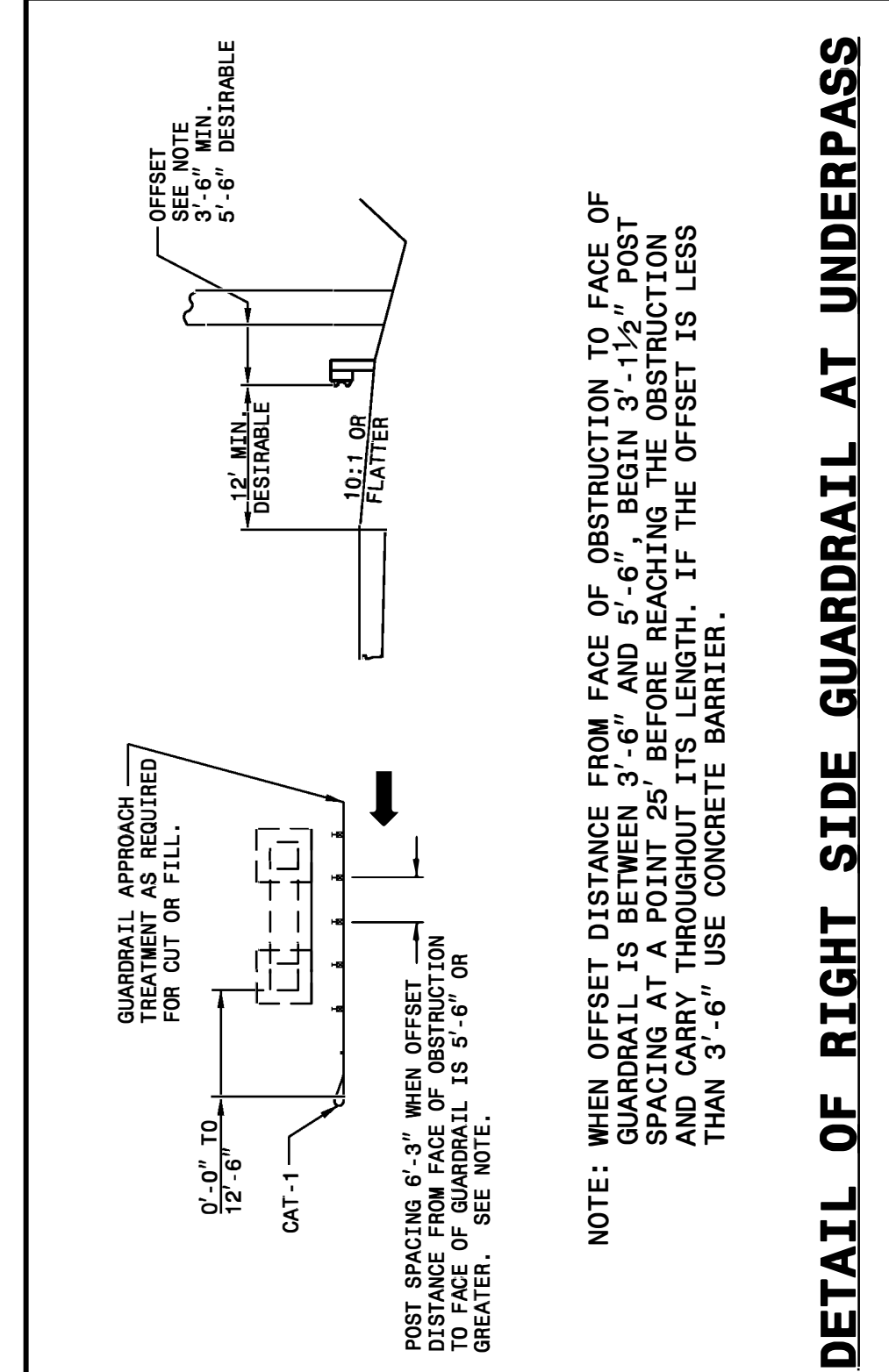
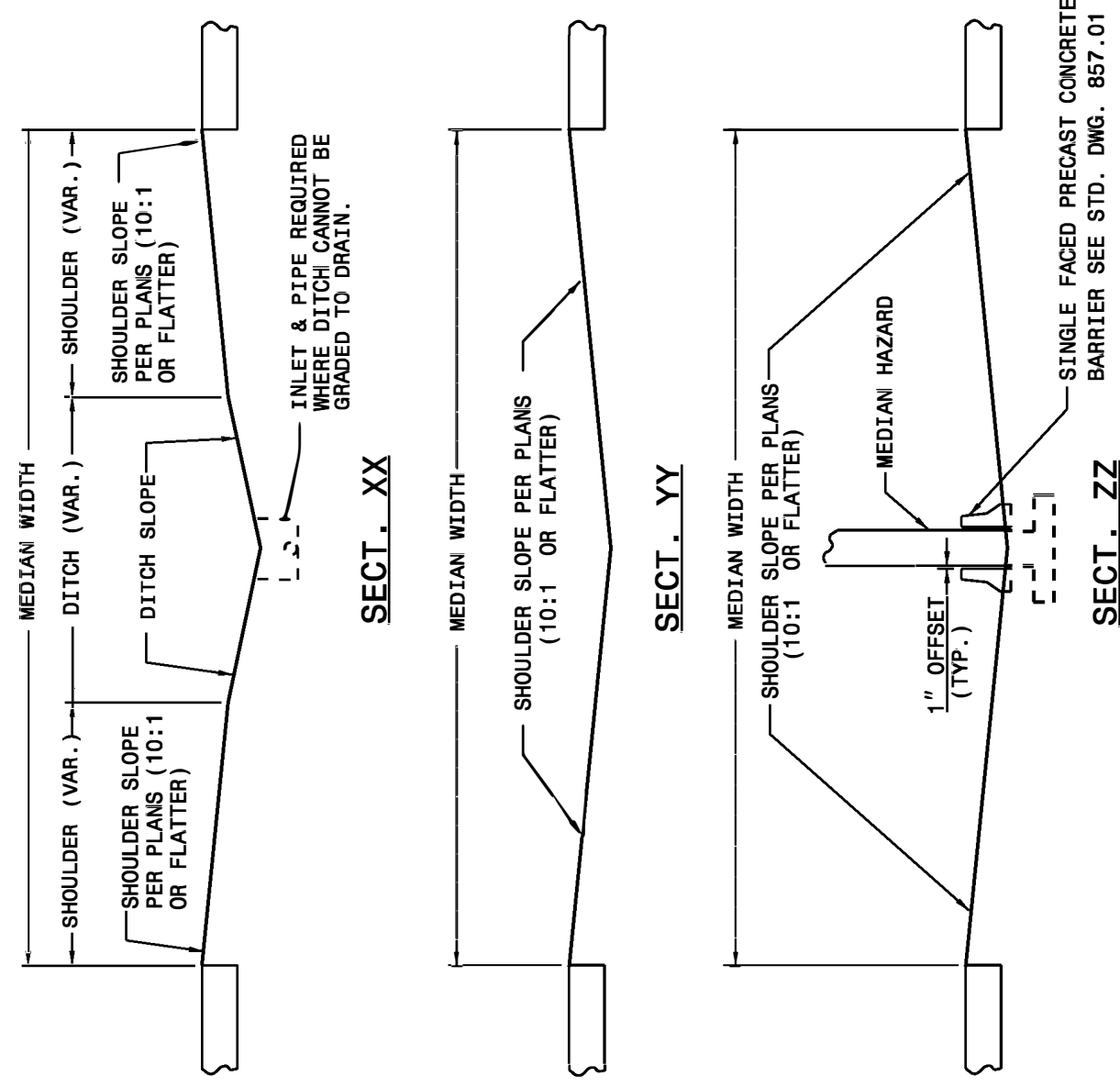
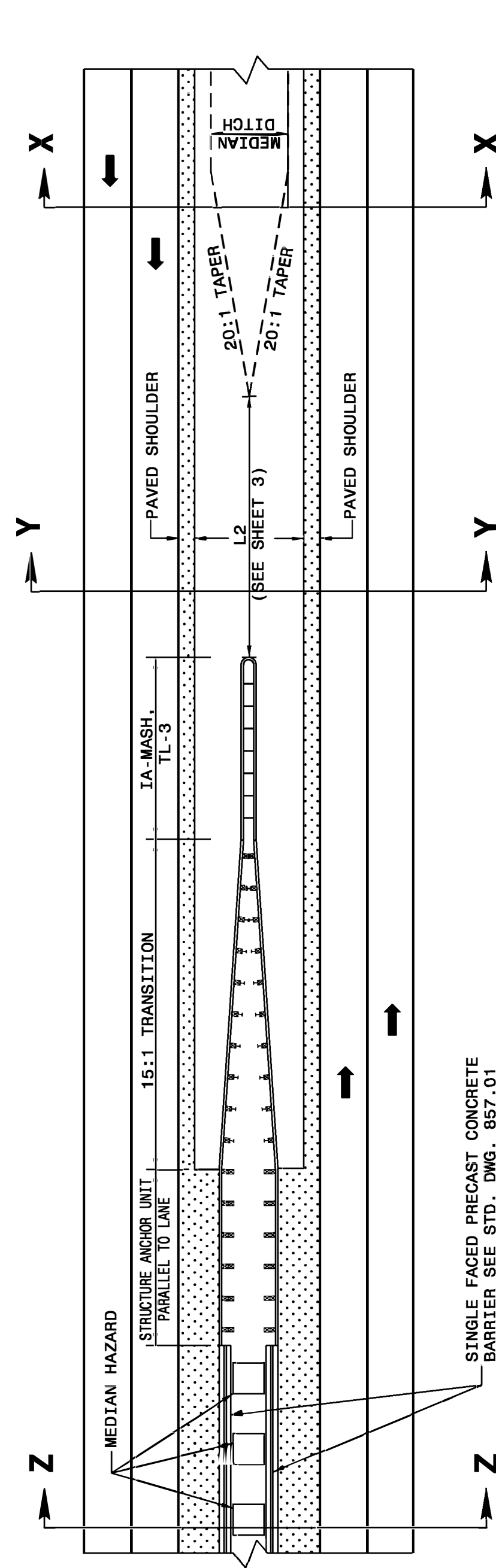
ROADWAY DETAIL DRAWING FOR
GUARDRAIL PLACEMENT

SHEET 1 OF 11
862D01

STATE OF NORTH CAROLINA
 DEPT. OF TRANSPORTATION
 DIVISION OF HIGHWAYS
 RALEIGH, N.C.

ROADWAY DETAIL DRAWING FOR
GUARDRAIL PLACEMENT

SHEET 1 OF 11
862D01



DETAIL OF RIGHT SIDE GUARDRAIL AT UNDERPASS

DETAIL OF MEDIAN TREATMENT AT UNDERPASS

STATE OF NORTH CAROLINA
 DEPT. OF TRANSPORTATION
 DIVISION OF HIGHWAYS
 RALEIGH, N.C.

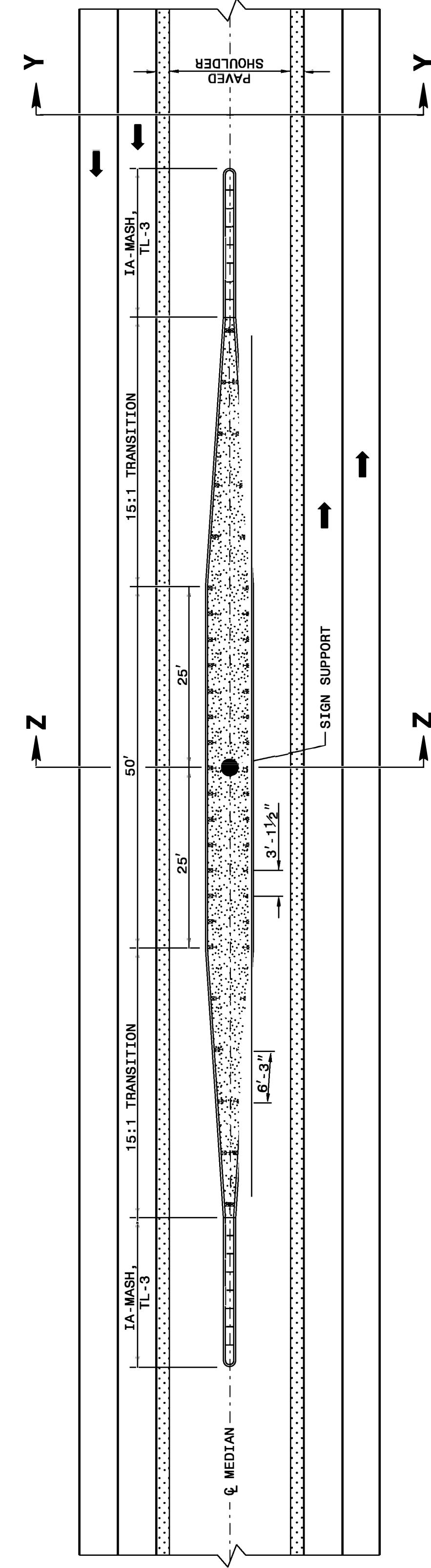
ROADWAY DETAIL DRAWING FOR
GUARDRAIL PLACEMENT

SHEET 2 OF 11
862D01

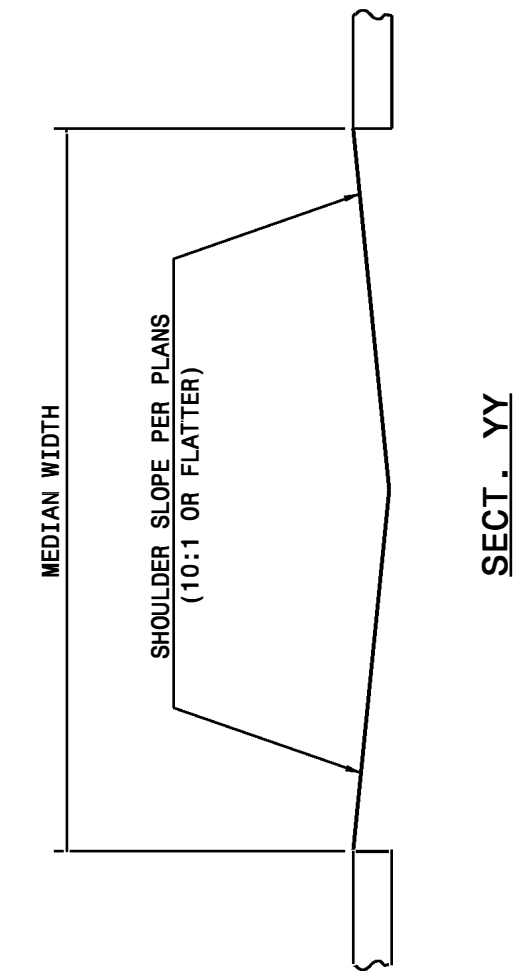
STATE OF NORTH CAROLINA
 DEPT. OF TRANSPORTATION
 DIVISION OF HIGHWAYS
 RALEIGH, N.C.

ROADWAY DETAIL DRAWING FOR
GUARDRAIL PLACEMENT

SHEET 2 OF 11
862D01



NOTE SPECIAL LAYER OF PAVEMENT
 USE 3'-1 1/2" POST SPACING ON THE 50' OF GUARDRAIL PARALLEL TO LANES AND 6'-3" POST SPACING ON 15:1 TRANSITION SECTIONS.
 GRADE MEDIAN IN THE VICINITY OF THE SIGN SUPPORT AS ILLUSTRATED IN THE ROADWAY STANDARD DRAWINGS (STANDARD 862.01 SHEET 1 OF 12).



DETAIL OF GUARDRAIL AT MEDIAN SIGN SUPPORT

CONTRACT STANDARDS
 AND DEVELOPMENT UNIT
 Office 919-707-6950 FAX 919-250-4119

SEE TITLE BLOCK

ORIGINAL BY: J HOWERTON DATE: 08-23-18
 MODIFIED BY: DATE:
 CHECKED BY: DATE:
 FILE SPEC.: DATE:



DOCUMENT NOT CONSIDERED FINAL
 UNLESS ALL SIGNATURES COMPLETED